

WaterBoost



WaterBoost

WB-Compact 3.0

Low mains pressure booster pump

Inline mains booster · No tank required

Get in touch



WhatsApp

07464 644 830

waterboost.co.uk

anglianpumping.com

IN STOCK · FAST DISPATCH

3.2 bar

Max delivery pressure

12 L/min

Max flow rate

¾"

Connection size (BSP)

Wi-Fi

DConnect app control

3 yr

Warranty

OVERVIEW

The WaterBoost WB-Compact 3.0 is an inline variable-speed mains booster pump that automatically increases low water pressure up to 3.2 bar — no tank required. It reacts to pressure drop and boosts the incoming mains supply to the whole property, making it ideal for combination boilers, unvented cylinders, electric showers, and mixer showers.



KEY FEATURES

- Boosts mains pressure up to 3.2 bar automatically
- Variable-speed pump — stable pressure at all flow rates
- Silent operation — suitable for any room in the home
- Wi-Fi connected — control via DAB DConnect app
- Voice control compatible (Google Home)
- Full-bore bypass option for maintenance continuity
- WRAS approved — compliant with water authority regulations
- ¾" BSP straight and right-angle connections included
- Compact design — easy inline installation

HOW IT WORKS

- 1 Incoming mains water passes through the pump inline
- 2 Pump senses pressure drop and automatically activates
- 3 Variable-speed motor boosts pressure up to 3.2 bar
- 4 When demand stops, pump rests — saving energy

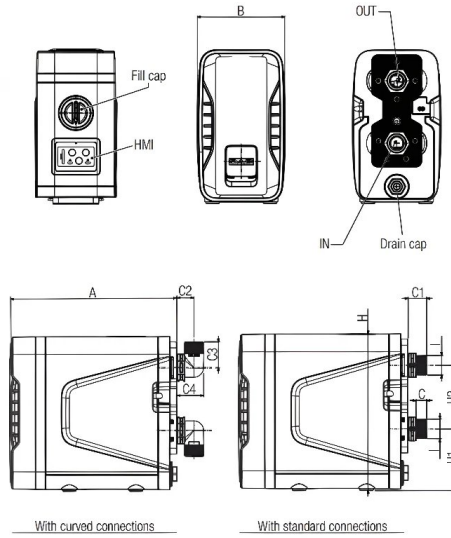
TECHNICAL SPECIFICATION

Model	WaterBoost WB-Compact 3.0
Type	Inline variable-speed mains booster
Max delivery pressure	3.2 bar
Max flow rate	12 L/min
Connection size	¾" Male BSP
Connection options	Straight and right-angle
Control	Digital variable-speed inverter
Connectivity	Wi-Fi — DAB DConnect app
Voice control	Compatible
Bypass	Full-bore bypass compatible
Approval	WRAS approved
Operation	Silent
Warranty	3 years
Suitable for	Combi boilers, unvented cylinders, electric & mixer showers

IDEAL FOR

- Combination boilers with low pressure
- Unvented hot water cylinders
- Electric and mixer showers
- Properties with low incoming mains pressure
- Whole-house pressure improvement

DIMENSIONS & CONNECTIONS



A	B	C	C1	C2	C3	C4	H	H1	H2	I Ø	DNA	DNM	PACKING DIMENSIONS			WEIGHT Kg
													L/A	L/B	H	
226.5	120.3	14	24.7	23	35	36.2	209.3	82.3	85	3/4"	3/4"	3/4"	250	200	250	4.4

PERFORMANCE CURVE — WB-Compact 3.0

