



**WaterBoost**

# **ACM Mains Booster**

## **INSTALLATION AND TECHNICAL GUIDE**



 Trustpilot

[www.anglianpumping.com](http://www.anglianpumping.com)



**WaterBoost**

# CONTENTS

- 3 - principle and advantages
- 4 - further details on pump
- 5 - plumbing systems/ do's and don'ts
- 6 - diagrams
- 7 - dimensions/mains information
- 8 - location & pressure setting

## WHO IS THIS MANUAL FOR?

- The Plumber/installation Engineer
- The Electrical Engineer
- The Home Owner/user



 Trustpilot



**WaterBoost**

# ACM Mains Booster Principle And Advantages

## PRINCIPLE OF THE ACM MAINS BOOSTER

the mains booster pump reacts when the water mains pressure is below the pump pre-set value. the result is higher pressure to the buildings water water up to 4.5bar

a full-bore bypass can be fitted to enable use during pump maintenance. fitting the acm pump will enhance the water performance to unvented cylinders, combinations boilers, electric showers and mixer shower.

water authorities restrict the amount of water permitted to be pumped from the water main to 12 litres/min. the acm pump falls within these limits.

## ADVANTAGES OF THIS SYSTEM

- improves flow rates to hot and cold water taps, showers, baths and services up to a maximum of 12 litres/min
- pressure and flow from small bore pipes pipes can be increased
- silent operation
- variable speed control



**Trustpilot**

[www.anglianpumping.com](http://www.anglianpumping.com)



**WaterBoost**

# Further Details

## Overview

- 3 year warranty
- silent running due to inverter control
- made in italy
- water-cooled motor
- variable speed design
- digital display with pressure adjustment
- wifi enabled to allow remote control from your phone
- boosts mains water pressure to 4.5bar
- wall or floor mounted options
- wras approved



★ Trustpilot



**WaterBoost**

# Typical Systems

## Do's

- install the acm directly on the mains supply
- fit flexible hoses on the inlet and outlet
- only 1 acm can be fitted per mains supply
- ensure the installation complies with iet wiring regulations
- ensure the pump is protected from frost
- remember that it is considered good practice to install full bore isolating valves on the inlet and outlet pipe work

## Don'ts

- never fit the pump to communal risers
- never fit the pump after a water softener
- never fit to a hot water piping
- never fit in a damp environment



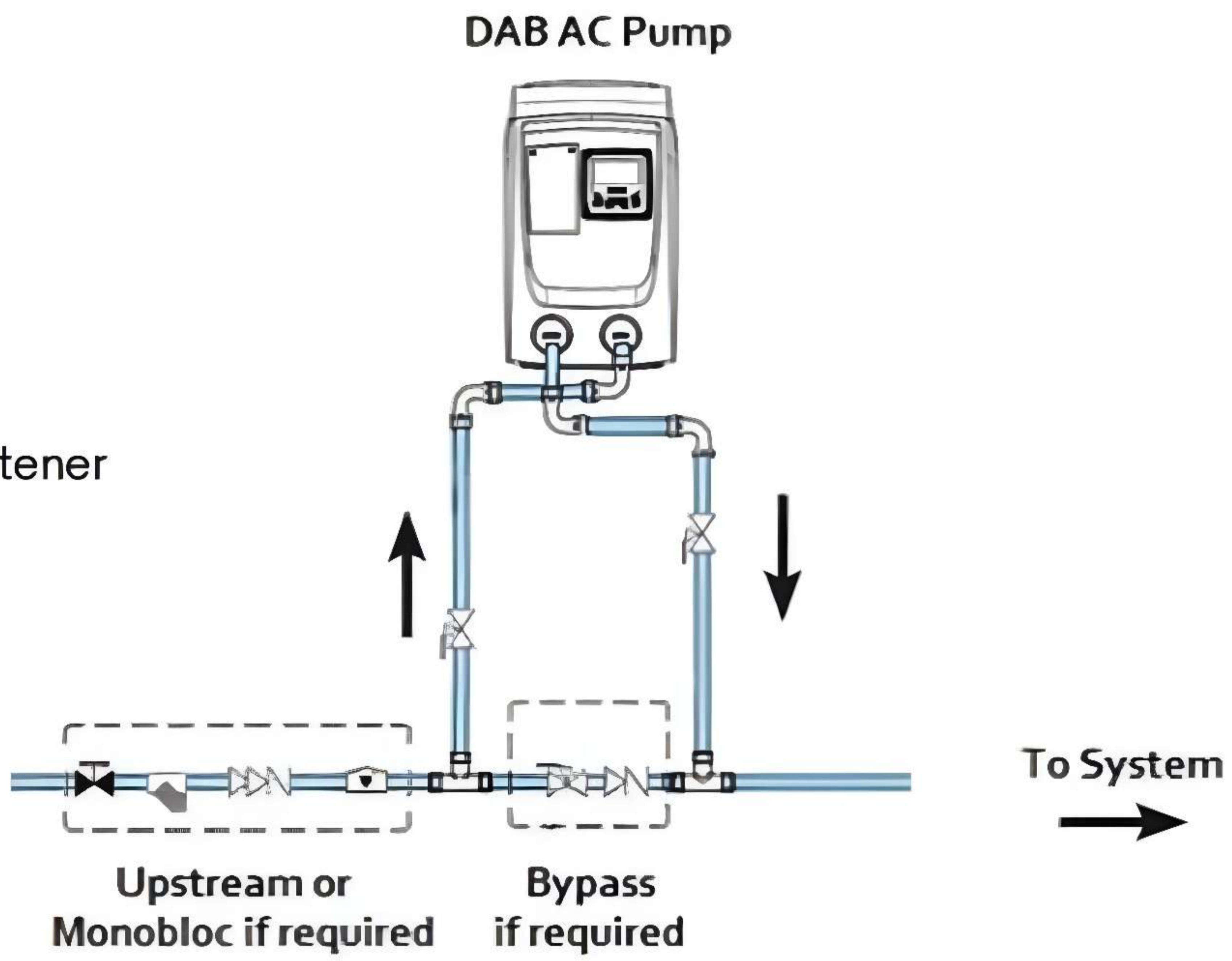
★ Trustpilot

[www.anglianpumping.com](http://www.anglianpumping.com)

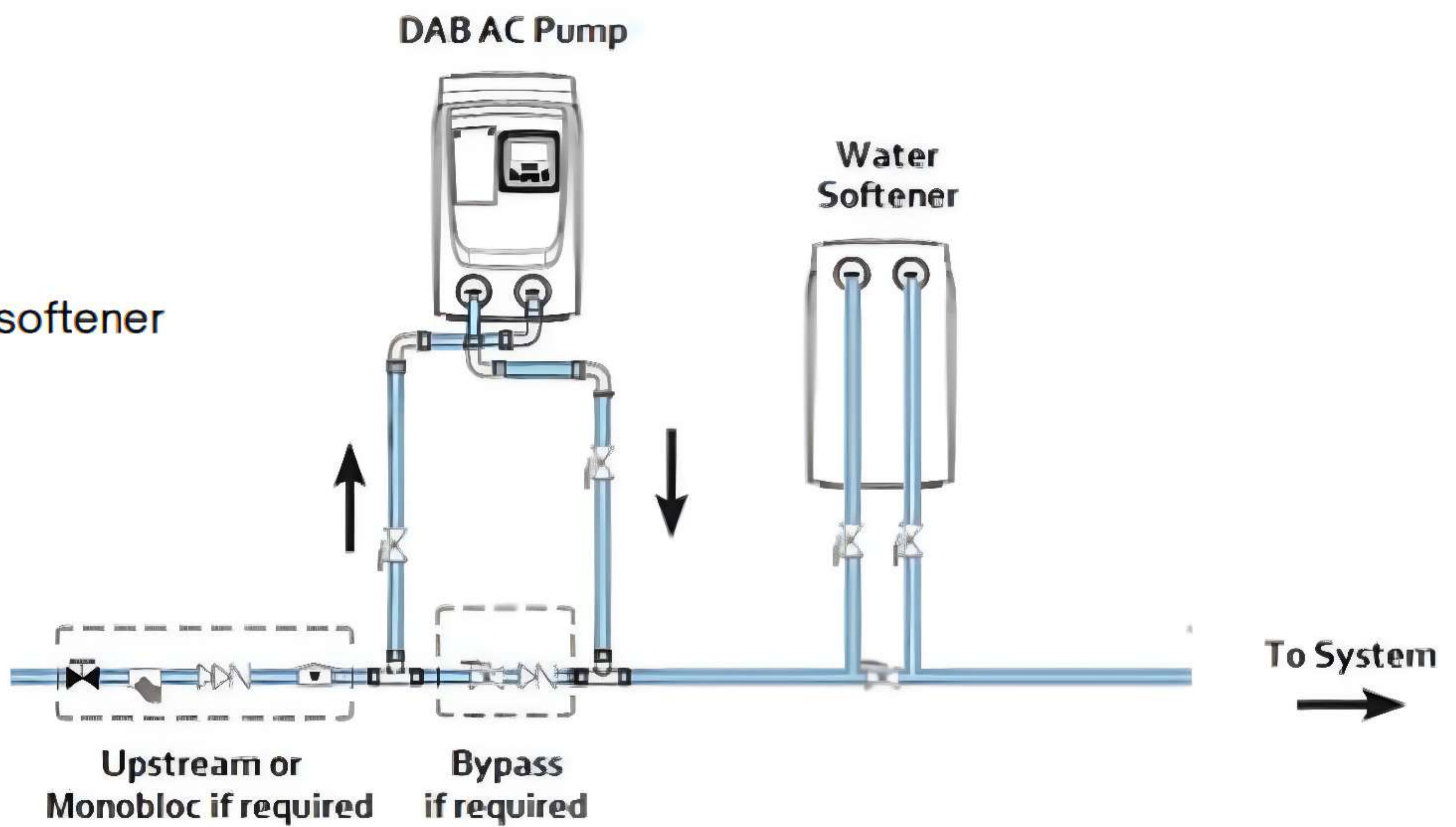


# WaterBoost

Without water softener



With water softener



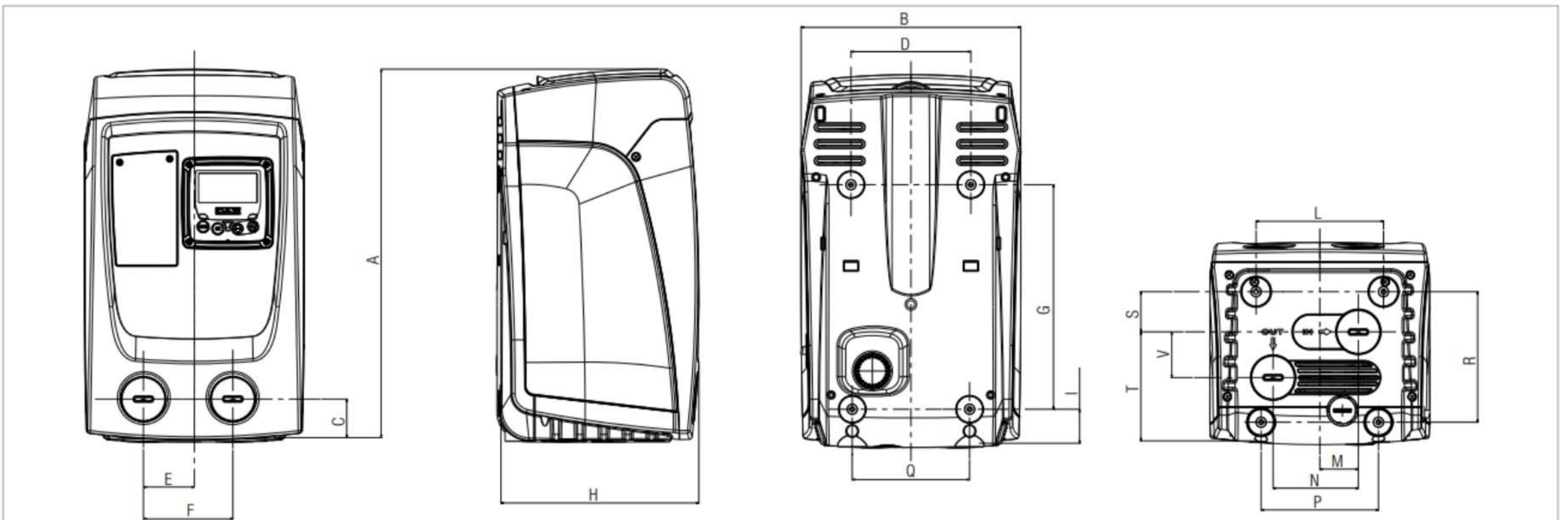
★ Trustpilot

[www.anglianpumping.com](http://www.anglianpumping.com)



# WaterBoost

## Dimensions



A	B	C	D	E	F	G	H	I	L	M	N	P	Q	R	S	T	V	DNA	DNM	PACKING DIMENSIONS			WEIGHT Kg
																				L/A	L/B	H	
439	263	46	143	60,7	106,7	279,5	236	40,5	152	46	101,7	140	140	155,5	47,8	133	54,5	1"	1"	300	500	320	14,6





# WaterBoost

## Location

the acm pump works on a sealed pressurised system connected directly to the mains water supply. the pump is normally located early in the building's plumbing, before any connections or points of use. when deciding on the location of the pump, consider the following points;

- the floor must be able to withstand the weight of the pump
- the isolation valve has to be installed to enable supply to and from the pump to be shut off

## Acm Pump Pressure Setting

