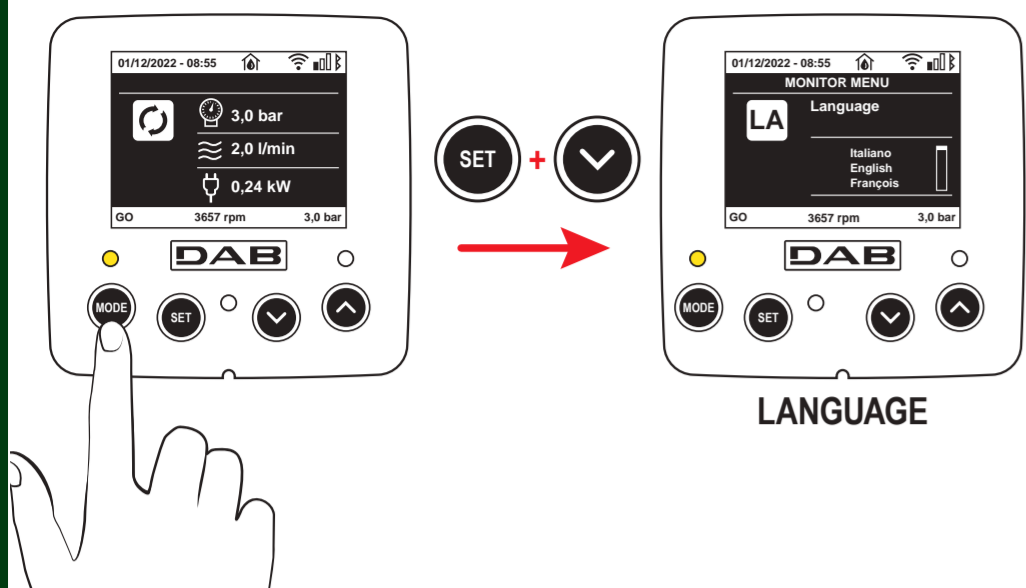
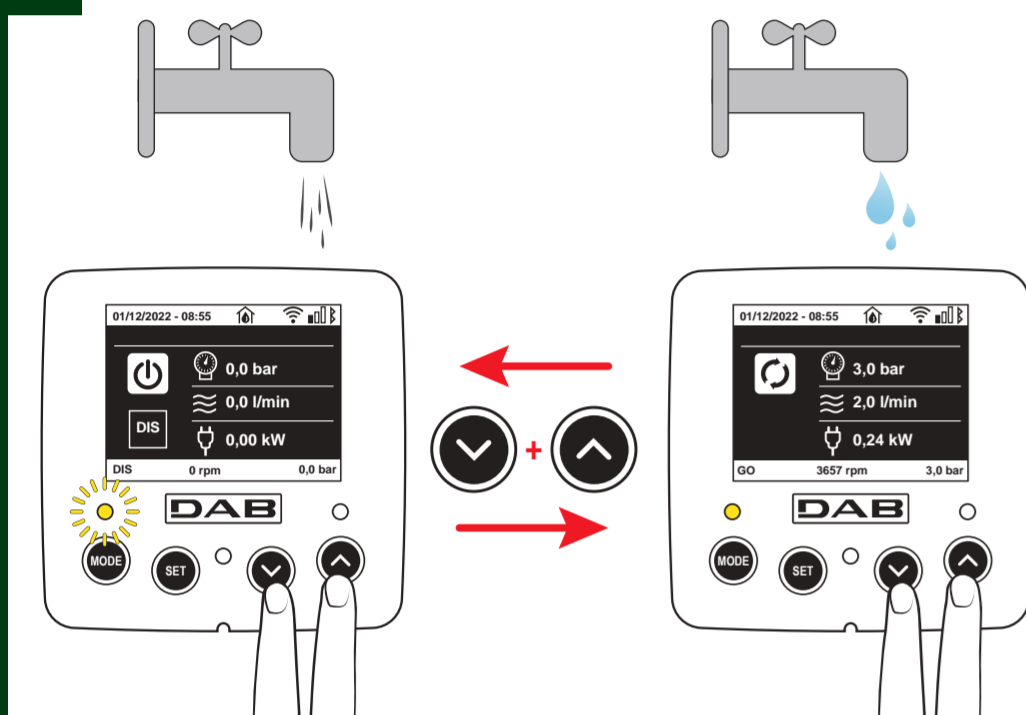


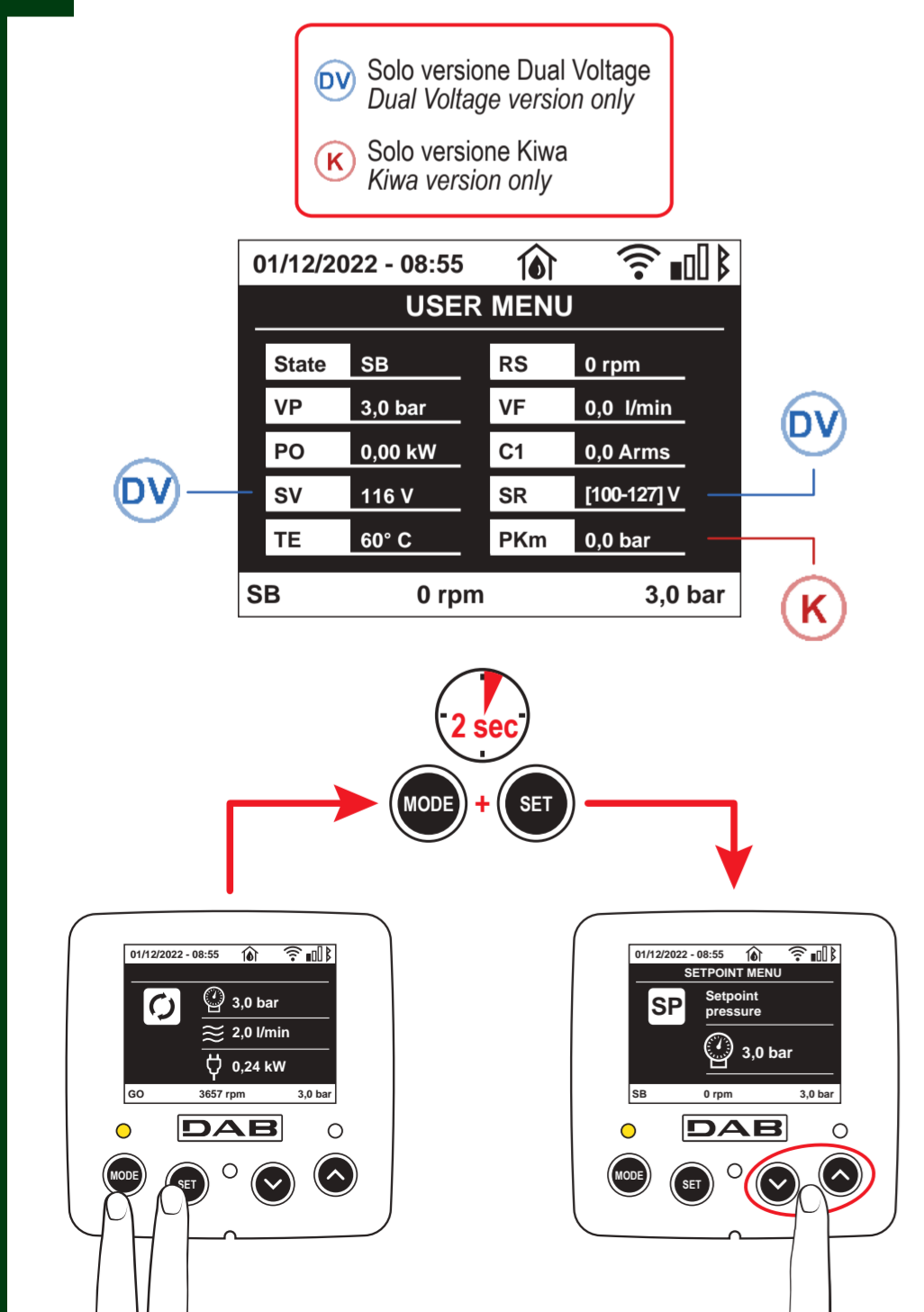
8 MONITOR MENU



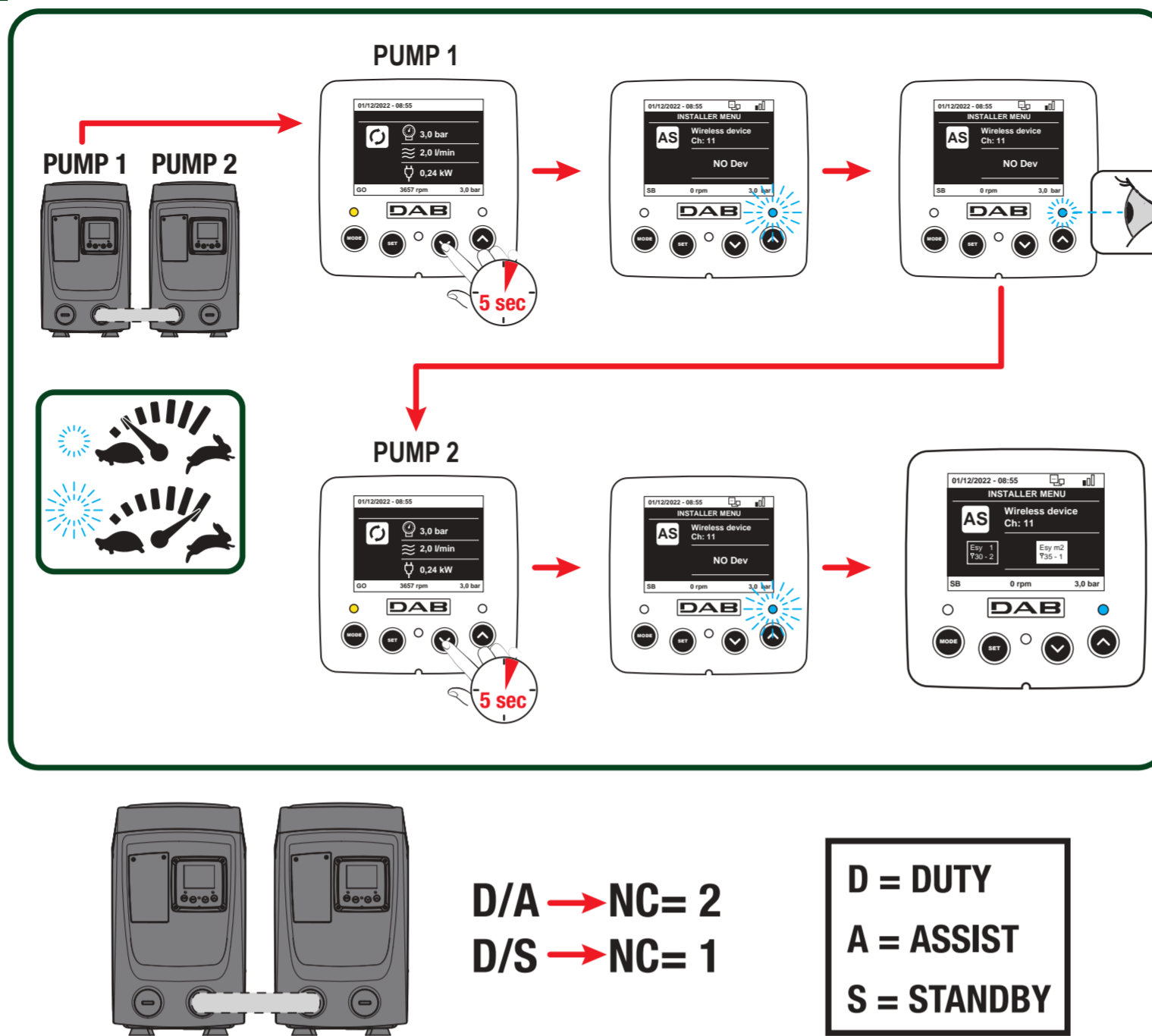
9 PUMP ENABLE / DISABLE



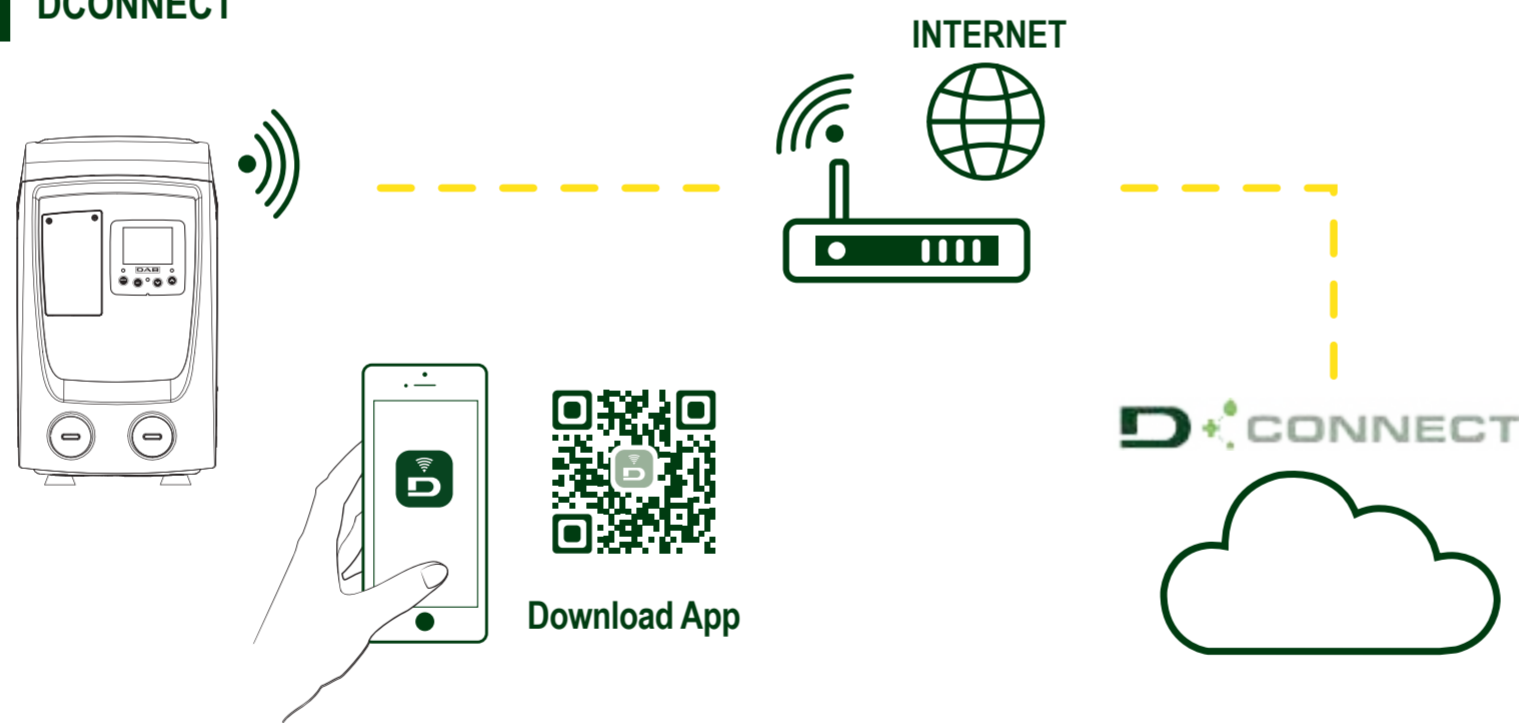
10 SET POINT



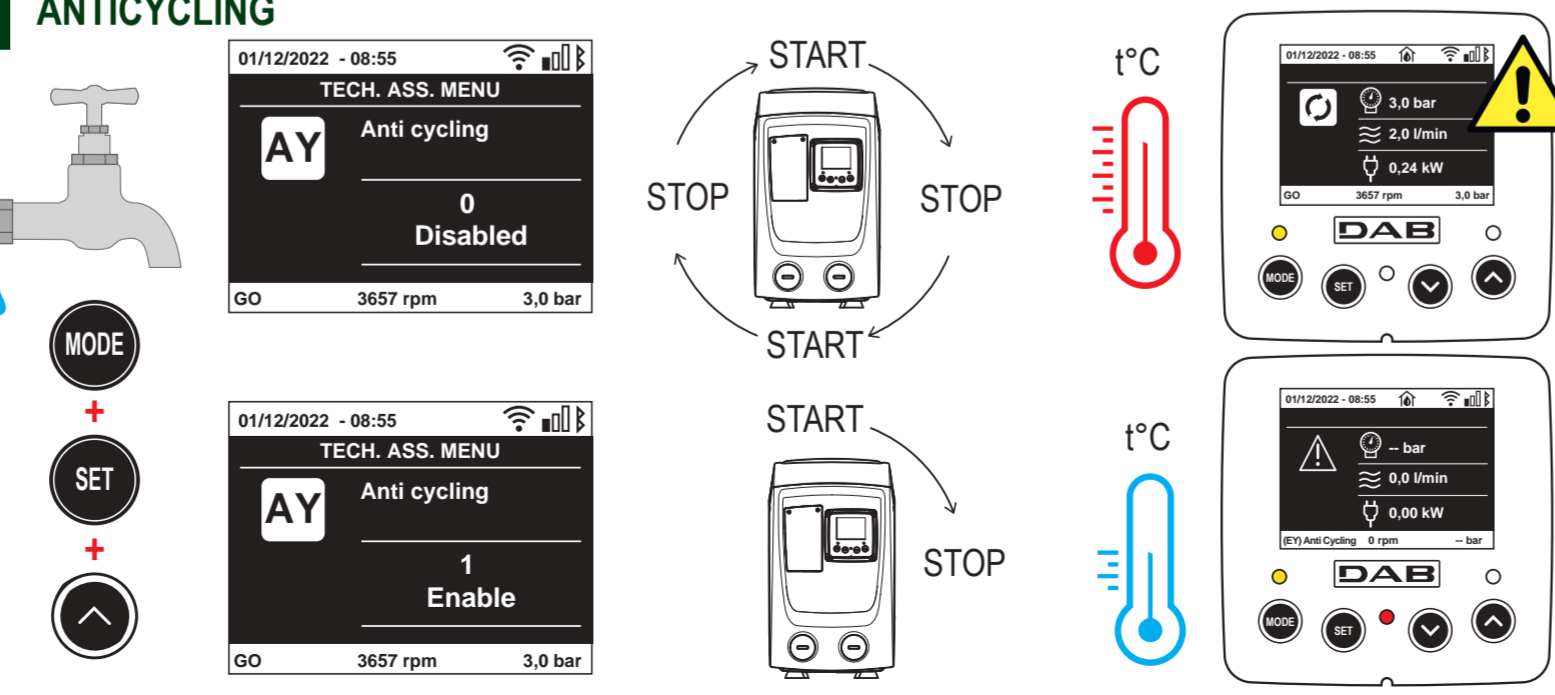
11 GROUP OF PUMPS



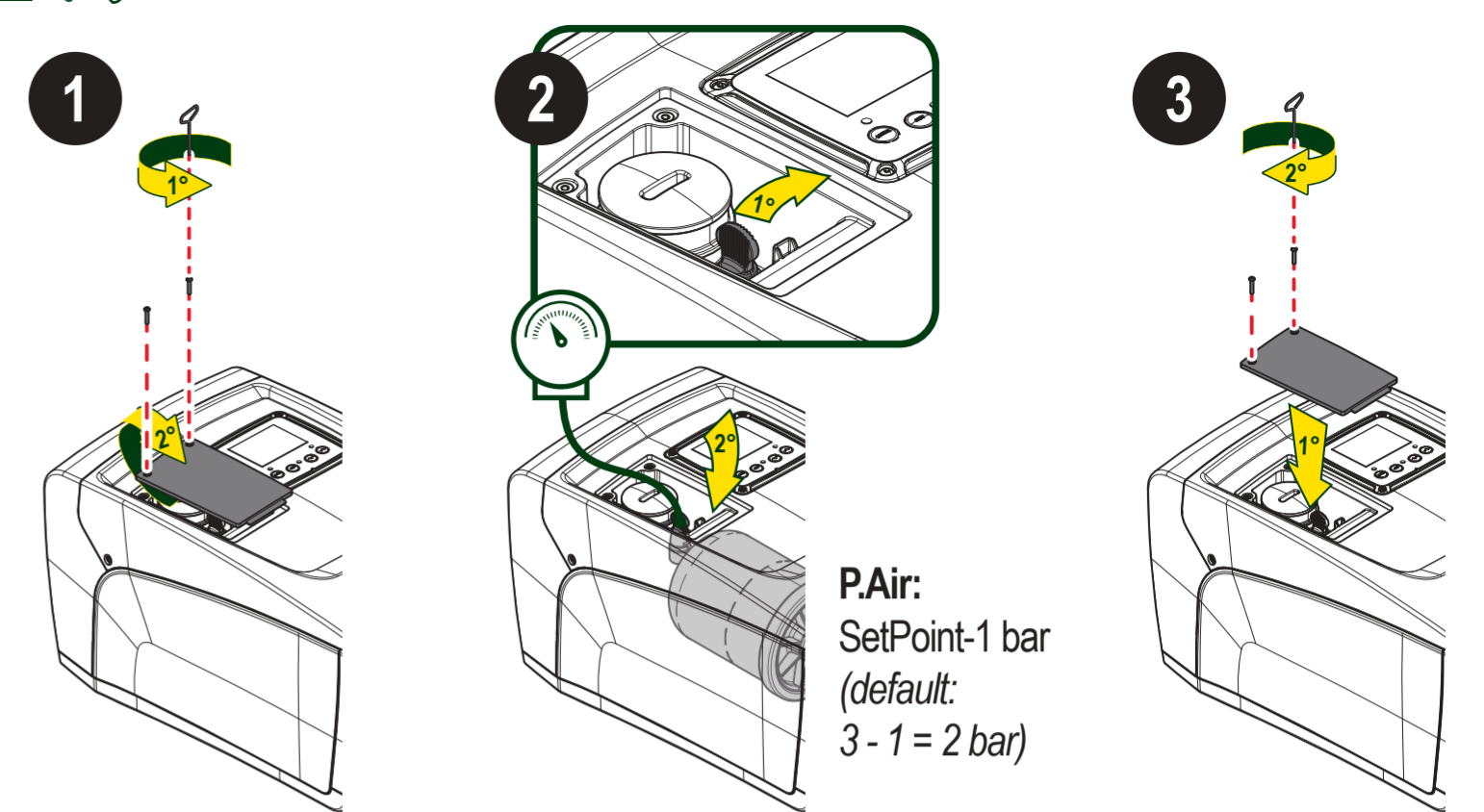
12 DCONNECT



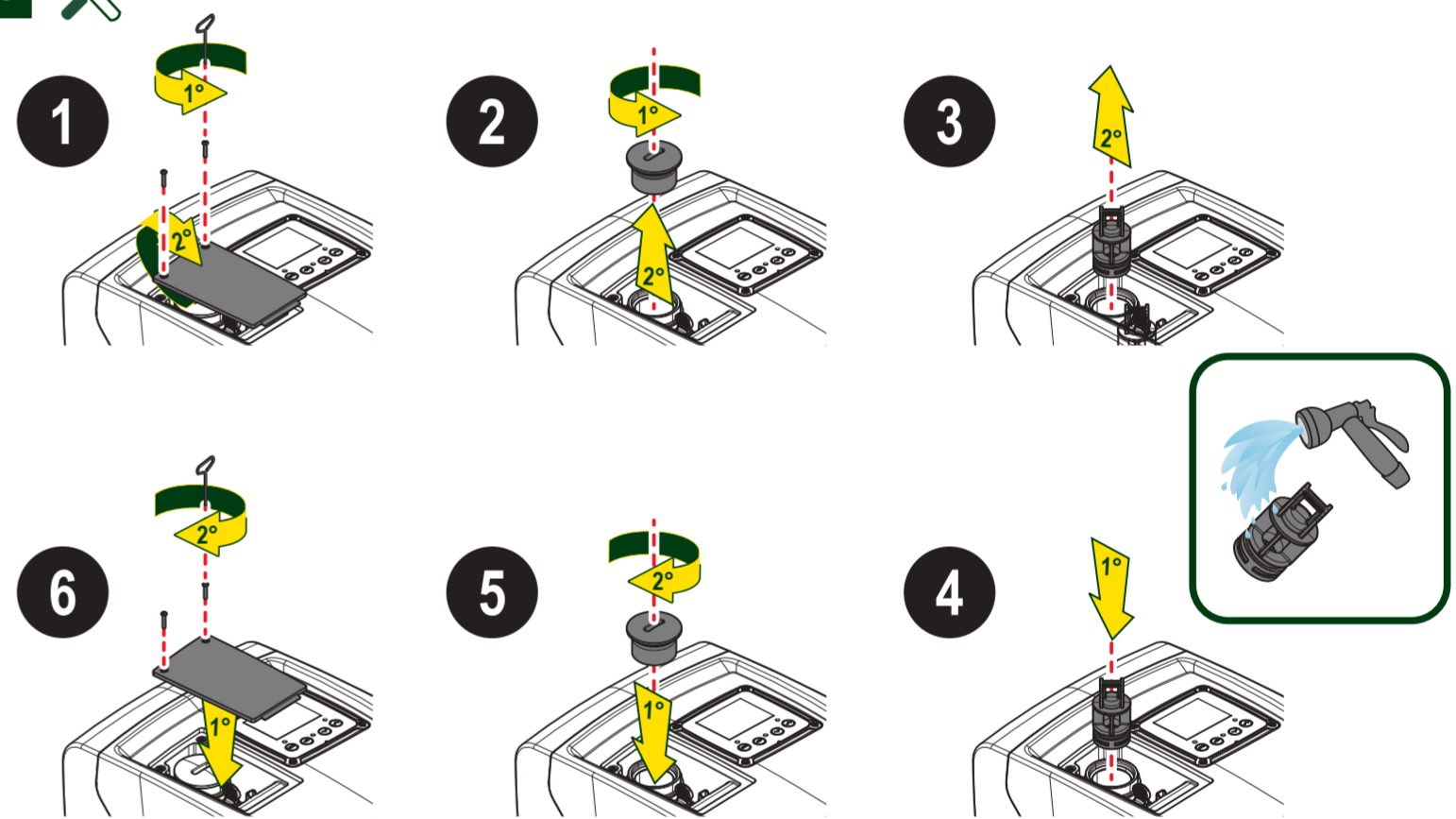
13 ANTICYCLING



14



15



16

