

Qty. Description

1 ALPHA3 15-50/60 130



Note! Product picture may differ from actual product

Product No.: [99371966](#)

Grundfos ALPHA3 high-efficiency circulator pumps are designed for circulating liquids in heating systems. With an energy efficiency index (EEI) well below the ErP benchmark, they ensure substantial energy savings.

ALPHA3 is completely controlled with Grundfos GO Remote via Bluetooth, which gives you step-by-step assistance to pump configuration, maintenance and commissioning, including:

- Operating and control modes.  
Scheduling for when the pump should operate incl. summer mode.  
Pump venting process.  
Warning and alarm status.

The pump features radiator and underfloor-heating control modes with AUTOADAPT, which continuously adjusts the pump performance to the actual heat demand, i.e.

the size of the system and changing heat demand during the year.

The AUTOADAPT feature finds the setting that provides optimal comfort with minimal energy consumption and makes the commissioning fast, safe, and easy.

ALPHA3 also offers proportional-pressure, constant-pressure and constant-curve control modes with setpoint adjustment anywhere between the maximum and minimum curve of the chosen setting.

Furthermore, ALPHA3 can communicate directly with the Grundfos GO Balance app, enabling installers to easily perform hydronic balancing of radiator and underfloor-heating systems. ALPHA3 is furthermore compatible with ALPHA Reader and the Grundfos GO Balance app, enabling the installers to easily perform hydronic balancing of radiator and underfloor-heating systems.

With the automatic night setback function, the pump automatically changes between normal duty and night setback. The changeover depends on the flow-pipe temperature controlled by the heating appliance.

The design and the chosen materials of the pump contribute to long life.

The pump is self-venting through the system, which contributes to easy commissioning.

The compact design, featuring a pump head with an integrated control box, fits into most common installations.

Pump and motor form an integral unit without a shaft seal.

The bearings are lubricated by the pumped liquid.

These constructional features ensure maintenance-free operation.

The active dry-running protection feature protects the pump against dry running during startup and normal operation. In case of a blocked rotor, the pump will continuously attempt to restart with highest possible torque.

Pump housings made of cast iron are electrocoated to improve corrosion resistance. The motor is a synchronous permanent-magnet/compact-stator motor characterised by high efficiency. The pump speed is controlled by an integrated frequency converter incorporated in the control box.

**Qty. Description**

1 Insulating shells are supplied with pumps to minimise heat loss in heating systems.

Liquid:

Pumped liquid: Water  
 Liquid temperature range: 2 .. 110 °C  
 Selected liquid temperature: 60 °C  
 Density: 983.2 kg/m<sup>3</sup>

Technical:

Rated flow: 1.94 m<sup>3</sup>/h  
 Rated head: 3.28 m  
 TF class: 110  
 Approvals: CE,VDE,UKCA

Materials:

Pump housing: Cast iron  
 EN 1561 EN-GJL-150  
 ASTM A48M-150B  
 Impeller: Composite  
 PES 30% GF + PESU-GF20%

Installation:

Range of ambient temperature: 0 .. 40 °C  
 Maximum operating pressure: 10 bar  
 Type of connection: G  
 Size of connection: 1 1/2 inch  
 Pressure rating for connection: PN 10  
 Port-to-port length: 130 mm

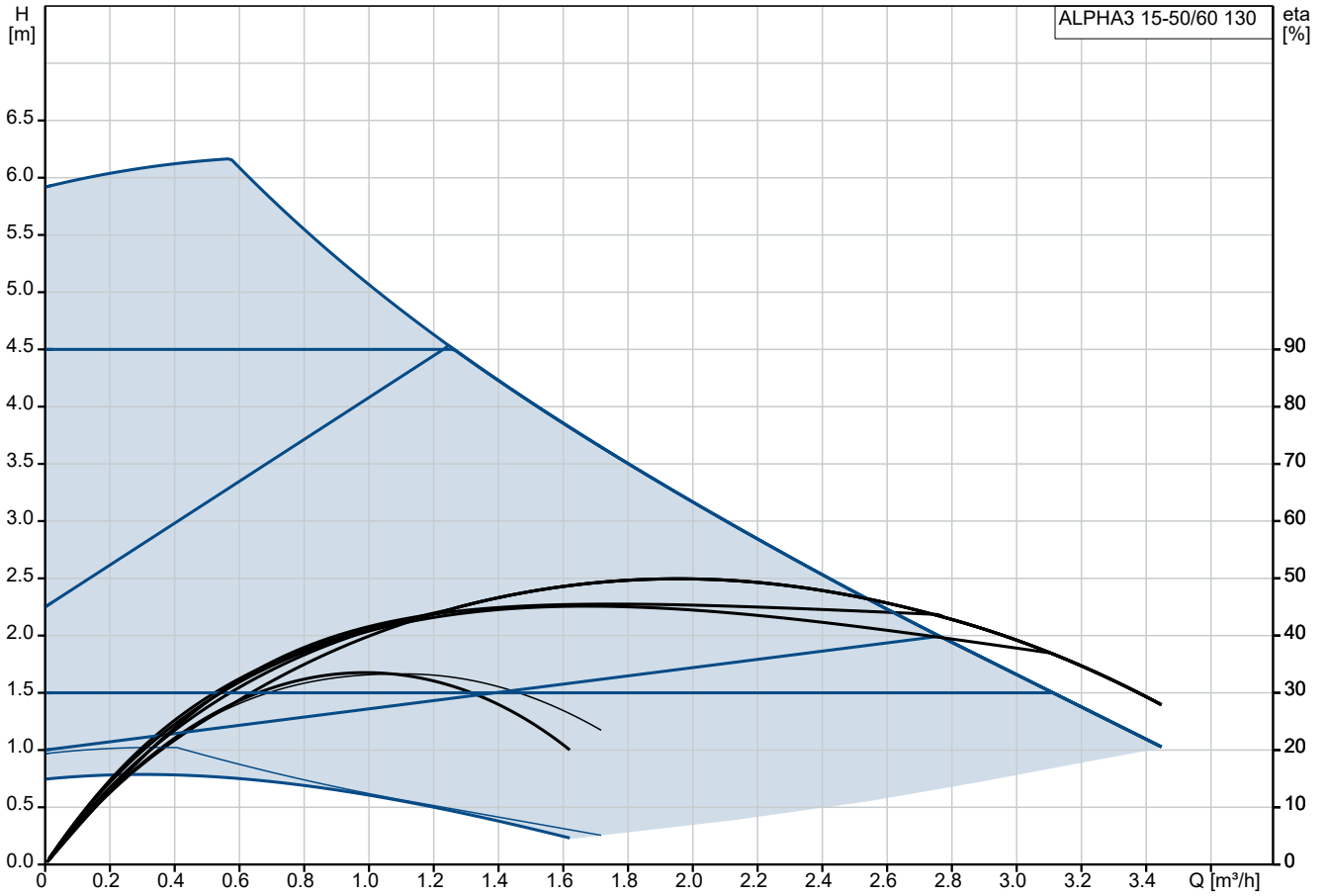
Electrical data:

Minimum power input - P1: 3 W  
 Power input P1: 34 W  
 Mains frequency: 50 / 60 Hz  
 Rated voltage: 1 x 230 V  
 Maximum current consumption: 0.04 .. 0.32 A  
 Enclosure class (IEC 34-5): X4D  
 Insulation class (IEC 85): F  
 Built-in motor protection: NONE

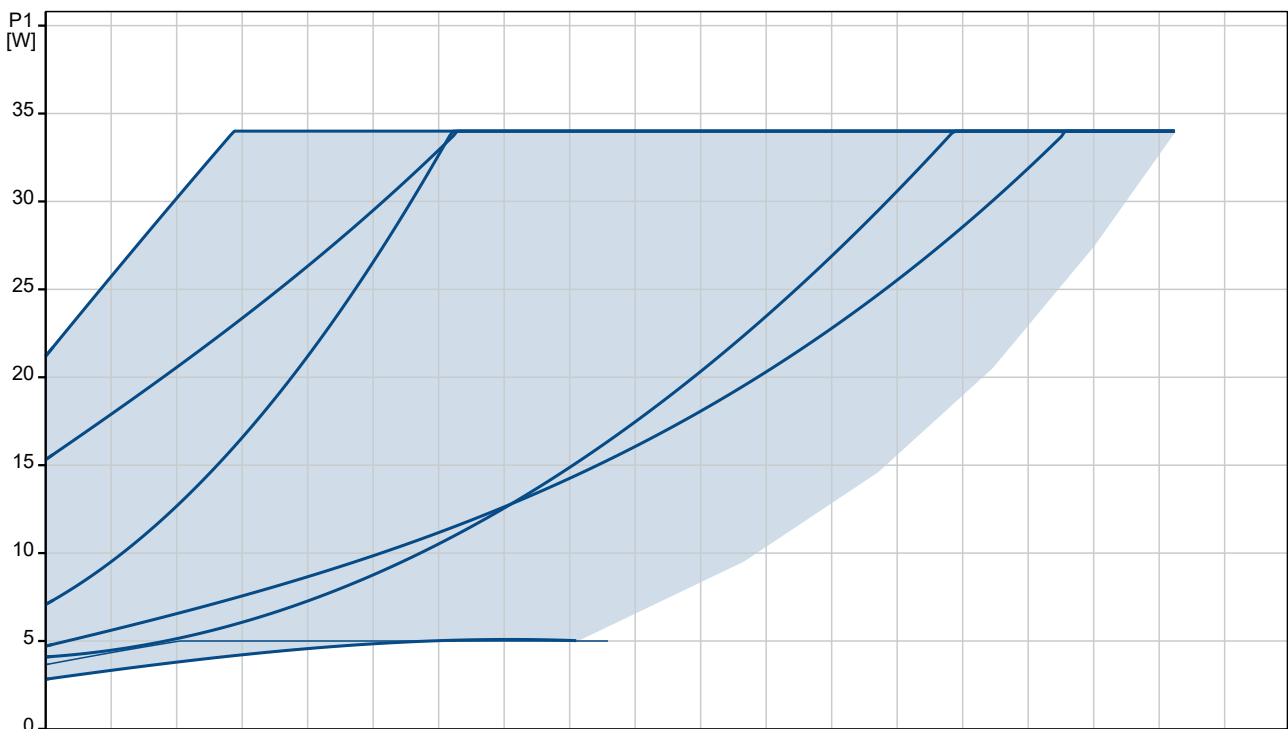
Others:

Energy (EEI): 0.17  
 Terminal box position: 6H  
 Net weight: 1.85 kg  
 Gross weight: 2.01 kg  
 Shipping volume: 0.004 m<sup>3</sup>  
 Country of origin: DK  
 Custom tariff no.: 84137030

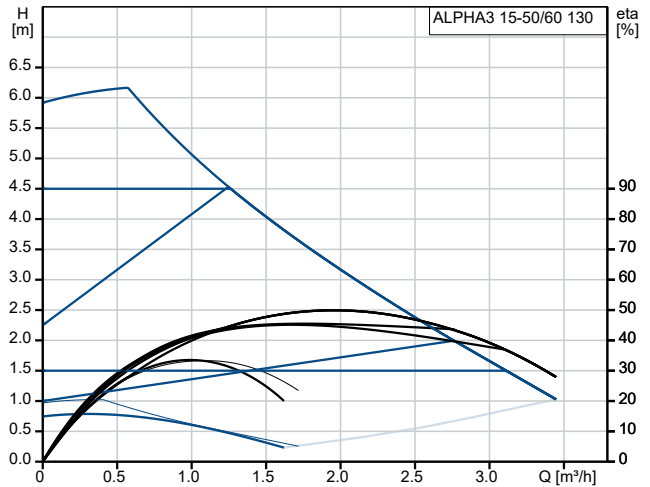
## 99371966 ALPHA3 15-50/60 130



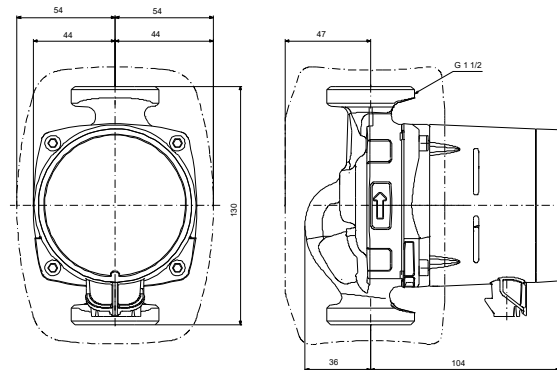
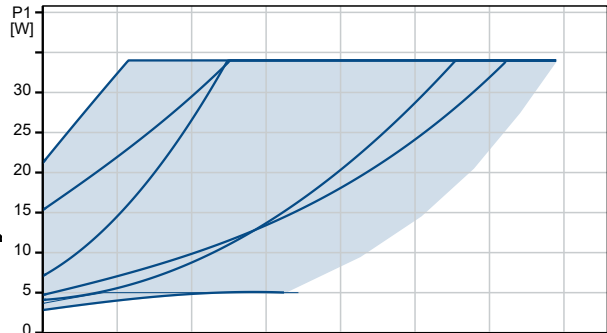
Pumped liquid = Water  
 Liquid temperature during operation = 60 °C  
 Density = 983.2 kg/m³



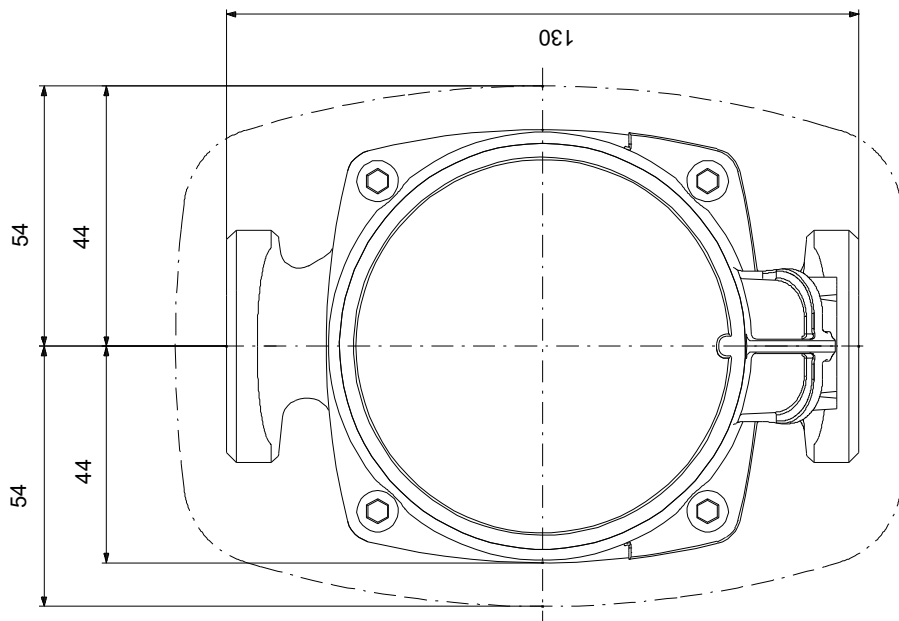
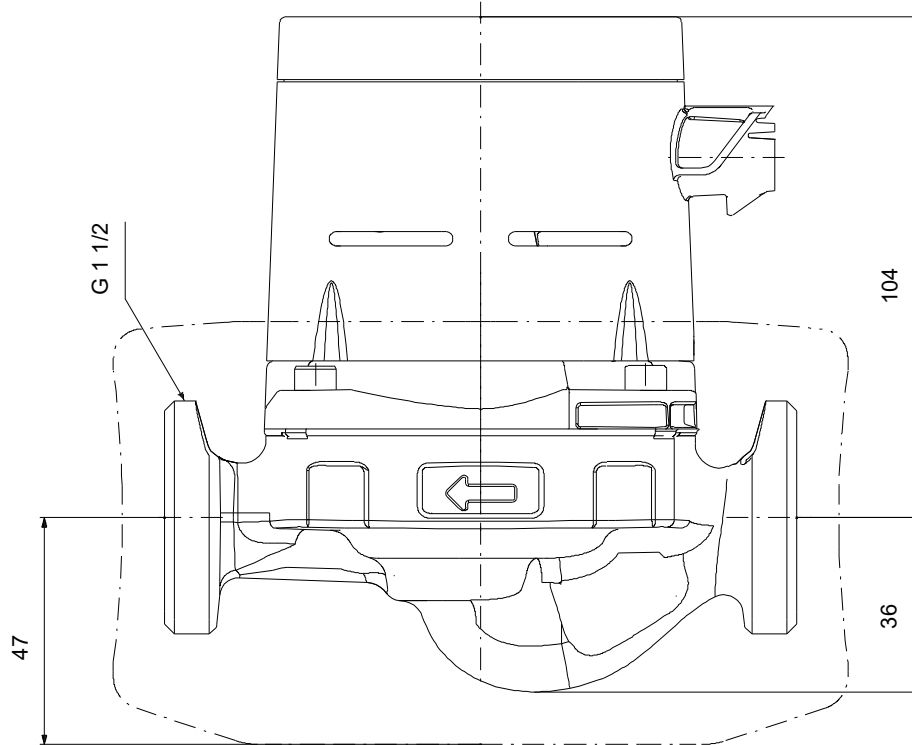
Description	Value
<b>General information:</b>	
Product name:	ALPHA3 15-50/60 130
Product No:	99371966
EAN number:	5713828026743
<b>Technical:</b>	
Rated flow:	1.94 m <sup>3</sup> /h
Rated head:	3.28 m
Maximum head:	50 dm
TF class:	110
Approvals:	CE,VDE,UKCA
Model:	B
<b>Materials:</b>	
Pump housing:	Cast iron
Pump housing:	EN 1561 EN-GJL-150
Pump housing:	ASTM A48M-150B
Impeller:	Composite
Impeller:	PES 30% GF + PESU-GF20%
<b>Installation:</b>	
Range of ambient temperature:	0 .. 40 °C
Maximum operating pressure:	10 bar
Type of connection:	G
Size of connection:	1 1/2 inch
Pressure rating for connection:	PN 10
Port-to-port length:	130 mm
<b>Liquid:</b>	
Pumped liquid:	Water
Liquid temperature range:	2 .. 110 °C
Selected liquid temperature:	60 °C
Density:	983.2 kg/m <sup>3</sup>
<b>Electrical data:</b>	
Minimum power input - P1:	3 W
Power input P1:	34 W
Mains frequency:	50 / 60 Hz
Rated voltage:	1 x 230 V
Maximum current consumption:	0.04 .. 0.32 A
Enclosure class (IEC 34-5):	X4D
Insulation class (IEC 85):	F
Built-in motor protection:	NONE
Thermal protec:	ELEC
<b>Controls:</b>	
Aut. night:	Y
<b>Others:</b>	
Energy (EEI):	0.17
Terminal box position:	6H
Net weight:	1.85 kg
Gross weight:	2.01 kg
Shipping volume:	0.004 m <sup>3</sup>
Sales region:	GB
Country of origin:	DK
Custom tariff no.:	84137030



Pumped liquid = Water  
 Liquid temperature during operation = 60 °C  
 Density = 983.2 kg/m<sup>3</sup>

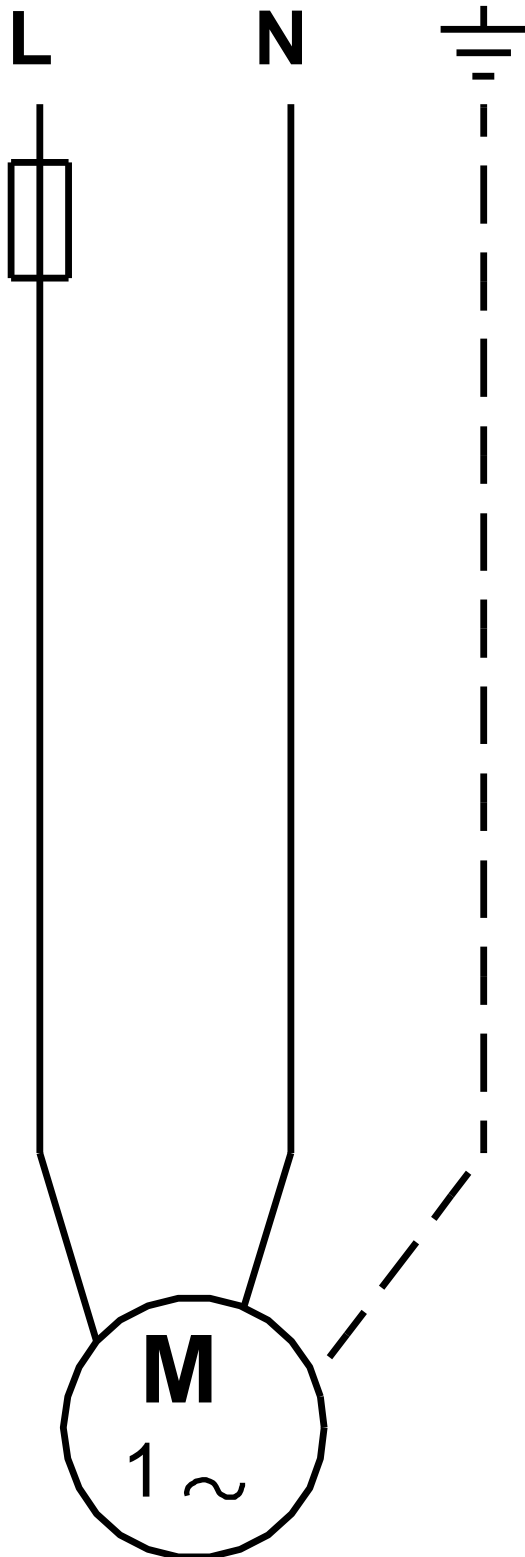


**99371966 ALPHA3 15-50/60 130**



Note! All units are in [mm] unless others are stated.  
Disclaimer: This simplified dimensional drawing does not show all details.

**99371966 ALPHA3 15-50/60 130**



Note! All units are in [mm] unless others are stated.