

Qty. Description

1 CU 301



Note! Product picture may differ from actual product

Product No.: [96436753](#)

The Grundfos CU 301 is a control and communication unit developed for the SQE submersible pumps for applications where a constant pressure is required.

The CU 301 provide full control of the SQE pumps and enables the system to maintain a constant pressure within the maximum pump performance in spite of a varying water consumption.

The pressure is registered by the pressure sensor and transmitted to the CU 301.

The CU 301 adjusts the pump performance accordingly.

The CU 301 control unit provides the following:

- Two-way communication with the SQE pumps.  
Possibility of adjusting the pressure.  
Alarm indication of pump operation by diodes on the front.  
Possibility of starting, stopping and resetting the pump simply by means of a push-button.

The CU 301 communicates with the pump via mains-borne signaling (Power Line Communication), meaning that no extra cables are required between the CU 301 and the pump.

The CU 301 indicates the following alarms:

- No contact,  
Overvoltage,  
Undervoltage,  
Dry running,  
Speed reduction,  
Overtemperature,  
Overload,  
Sensor alarm.

The CU 301 incorporates the external signal input for pressure sensor and connection to an operating relay for enabling aeration or chlorination during pump operation.

As well a safety relay to disconnect the SQE submersible pump during communicating failure, it will then operate in pressure switch mode if the pump is still running and until communication to the pump has been restored.

The CU 301 enables the use of:

Grundfos GO via Grundfos GO MI 204 (dongle for Apple devices with lightning connectors) or Grundfos GO MI 301 (Bluetooth dongle for Apple or Android devices): Wireless infra-red remote control by means of Grundfos GO enables change of factory settings and monitoring of the installation by calling up actual operating data, e.g.

speed, operating hours and power consumption.

External sensors: Reception of data from external sensors and control according to the data received from the pressure sensor.



Company name:

Created by:

Phone:

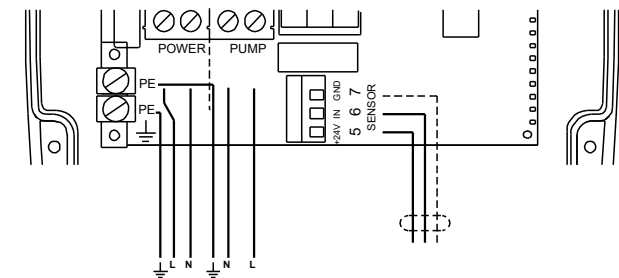
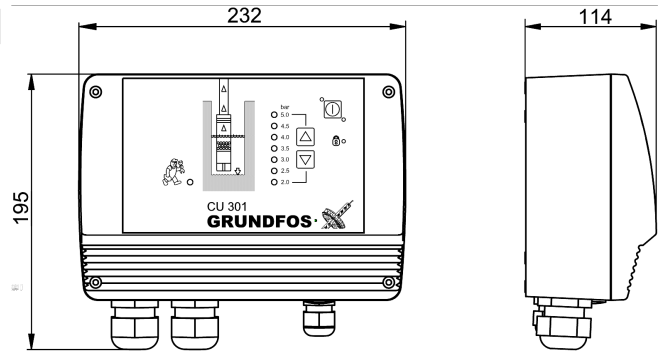
Date:

01/12/2023

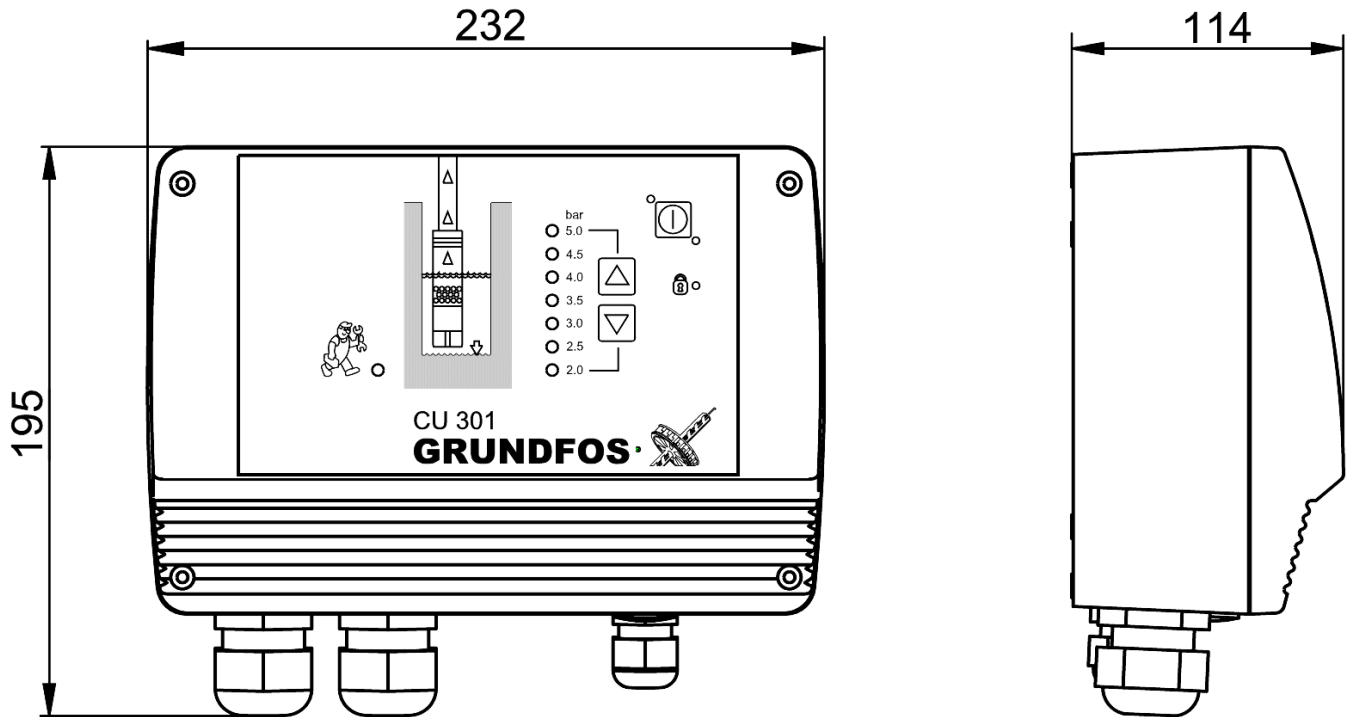
Qty.	Description
------	-------------

1	Electrical data: Mains frequency: 50 / 60 Hz Rated voltage: 1 x 100-240 V  Others: Danish VVS No.: 388449701 Norwegian NRF no.: 9041361 Country of origin: TH Custom tariff no.: 85371098
---	---

Description	Value
<b>General information:</b>	
Product name:	CU 301
Product No:	<a href="#">96436753</a>
EAN number:	5700393737235
Price:	GBP 563
<b>Electrical data:</b>	
Mains frequency:	50 / 60 Hz
Rated voltage:	1 x 100-240 V
<b>Controls:</b>	
Unit:	2 - 5 bar
<b>Others:</b>	
Country code:	Apreg, EU
Danish VVS No.:	388449701
Norwegian NRF no.:	9041361
Country of origin:	TH
Custom tariff no.:	85371098



## 96436753 CU 301



Note! All units are in [mm] unless others are stated.  
Disclaimer: This simplified dimensional drawing does not show all details.