

Salamander Pumps 

# MainsBooster

## RANGE



A range of product solutions to boost mains flow and pressure. Improving water performance to a tap, shower, bathroom or whole house.

Smarter Water Performance



## MainsBooster Range Explained

Salamander Pumps' range of inline pumps and accumulator tanks provide a quiet, lightweight and easy to install solution to all domestic and light commercial mains water boosting needs.

For further product information, training and product selector software **scan the QR code** or visit **[www.salamanderpumps.co.uk](http://www.salamanderpumps.co.uk)**



## Contents

|   |          |
|---|----------|
| <b>Product and Installation Information</b> | <b>4</b> |
| <b>Specification</b>                        | <b>6</b> |
| <b>Inline Pumps</b>                         |          |
| TapBoost                                    | 8        |
| CombiBoost                                  | 10       |
| HomeBoost                                   | 12       |
| Technical Specification                     | 14       |
| <b>Accumulator Tanks</b>                    |          |
| AccuBoost Tank                              | 16       |
| AccuBoost System                            | 18       |
| Technical Specification                     | 20       |
| Linking Multiple Tanks                      | 24       |
| Accessories                                 | 25       |
| Customer Experience                         | 26       |



## Inline Pumps

This range of pumps are installed in line on the water supply pipe, boosting the water flow rate to the specified amount.

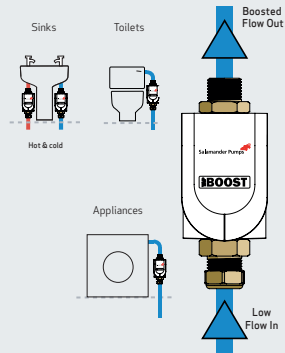
TapBoost provides an easy to install solution for properties where only one tap or outlet suffers with low water flow.

CombiBoost and HomeBoost offer a solution for mains-fed properties where the water performance is poor across the whole house.

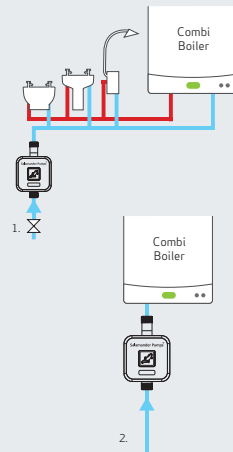
| Product Name | Output Flow Rate l/min |
|--------------|------------------------|
| TapBoost     | 7-11*                  |
| CombiBoost   | 10                     |
| HomeBoost    | 12                     |

\*Varies depending on incoming flow.

### TYPICAL TAPBOOST INSTALLATION



### TYPICAL COMBIBOOST AND HOMEBOOST INSTALLATIONS



## Accumulator Tanks

AccuBoost, our range of accumulator tanks, offers a solution for properties where the demand for water is over and above what the mains currently provides.

AccuBoost stores water at pressure and instantly releases this water into the system, boosting the mains water flow into the property. Ideal for use with combination boilers or unvented cylinders.

Made from composite materials, these tanks are lighter than steel, and in some cases can be handled by a single person.

### ACCUMULATOR SYSTEMS (PUMPED)

A pumped option is recommended if flow is less than 12 litres per minute and/or the static pressure is below 2.0 bar.

Available in 4 different tank sizes, the AccuBoost pumped range will boost water performance when the incoming mains water flow and/or pressure is poor.

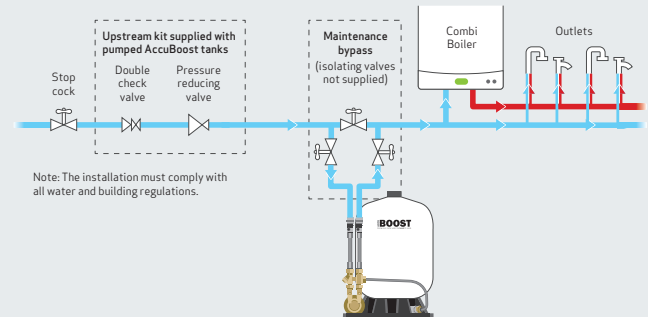
Pumped models will maintain a flow of 12 litres per minute in addition to the extra flow provided by the tank.

### ACCUMULATOR TANKS (UNPUMPED)

Available in 4 different tank sizes, this range will give an extra boost when pressure is good and water flow is above 12 litres per minute, but additional water flow is needed to supplement the mains supply.

Multiple tanks can be linked together depending on space available and the required demand.

### TYPICAL PUMPED INSTALLATION



# Specification

Use the questions below to determine which product is suitable for the installation.

Do you need to boost one or more outlets?  
If only one outlet needs to be boosted then TapBoost offers a solution.  
If you need to boost more than one outlet continue to question 2.

1

How many outlets do you want to run at once?

Calculate the flow rate per minute of all outlets you will use at the same time using our flow rate guide. Find the relevant column in the table on the right to see which products are suitable.

If you require 12 L/min or less HomeBoost or CombiBoost may be suitable.  
If you require more than 12 L/min you will need an accumulator. Questions 3 - 5 will guide you through choosing the right accumulator.

2

Do you need pumped or unpumped?

Choose pumped if any of the following applies:

- Water pressure less than 2.0 bar.
- Water flow less than 12 L/min.
- Highest outlet is 2nd floor or above.

3

Is your heating system a combi boiler or unvented?

- All options are suitable for a combination boiler.
- Choose a 450L model if unvented.

4

What space do you have available?

If space is limited you may need to choose a smaller model. Smaller tanks will still improve water flow but cannot deliver as high flow rates, so you will not be able to run as many outlets simultaneously.

Alternatively linking multiple smaller tanks together delivers additional capacity and makes the solution flexible to the space.

5

The grid below shows the amount of time (in minutes) each product will deliver specific flow rates. The time shown for the AccuBoost range assumes either the natural mains or the pump on pumped models will deliver 12 litres per minute when an outlet opens.

|            | Flow rate (L per min) |         |         |         |         |         |         |         |         |         |         |         |         | Vessel re-charge time** |         |
|------------|-----------------------|---------|---------|---------|---------|---------|---------|---------|---------|---------|---------|---------|---------|-------------------------|---------|
|            | 10 ltrs               | 12 ltrs | 14 ltrs | 16 ltrs | 18 ltrs | 20 ltrs | 22 ltrs | 24 ltrs | 26 ltrs | 28 ltrs | 30 ltrs | 32 ltrs | 34 ltrs |                         | 36 ltrs |
| CombiBoost | Cont.                 | -       | -       | -       | -       | -       | -       | -       | -       | -       | -       | -       | -       | -                       | -       |
| HomeBoost  | Cont.                 | Cont.   | -       | -       | -       | -       | -       | -       | -       | -       | -       | -       | -       | -                       | -       |

|                |       |       |          |         |         |         |         |         |         |         |         |         |         |        |   |         |
|----------------|-------|-------|----------|---------|---------|---------|---------|---------|---------|---------|---------|---------|---------|--------|---|---------|
| AccuBoost 60L  | Cont. | Cont. | 9 mins   | -       | -       | -       | -       | -       | -       | -       | -       | -       | -       | -      | - | 5 mins  |
| AccuBoost 120L | Cont. | Cont. | 23 mins  | 9 mins  | -       | -       | -       | -       | -       | -       | -       | -       | -       | -      | - | 10 mins |
| AccuBoost 180L | Cont. | Cont. | 37 mins  | 19 mins | 9 mins  | -       | -       | -       | -       | -       | -       | -       | -       | -      | - | 15 mins |
| AccuBoost 450L | Cont. | Cont. | 108 mins | 54 mins | 36 mins | 27 mins | 22 mins | 18 mins | 16 mins | 14 mins | 12 mins | 11 mins | 10 mins | 9 mins | - | 40 mins |

| Flow rate guide                        |                            |
|--|----------------------------|
| Outlet                                 | Estimate flow rate (l/min) |
| Standard shower head (less than 150mm) | 12                         |
| Large shower head (more than 150mm)    | 15                         |
| Electric shower                        | 9                          |
| Drench shower head                     | 25                         |
| Shower with body jets                  | +8 to above                |
| Bath                                   | 15                         |
| Tap                                    | 8                          |

• Pipework within the property may impact on the flow rate delivered.

• These products may not be suitable for a restrictive mains or a lead mains supply, contact us for product selection support.

• \*\*Quoted recharge time is for the vessel, time will increase depending on water system volume.

## Product Selection Support

For more guidance on choosing the right product, please use our online product selector tool by scanning the QR code to the right.

Scan the QR code to visit our online product selector.



# TapBoost

7-11l  
per min\*



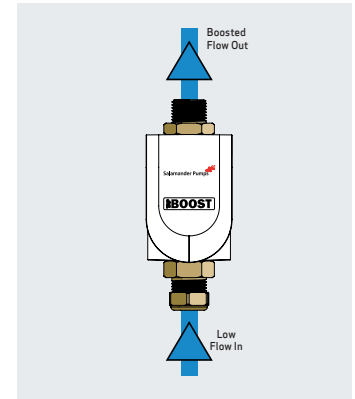
 **34.2dBA**

TapBoost provides an easy to install, cost-effective solution when a single outlet suffers with poor water flow.

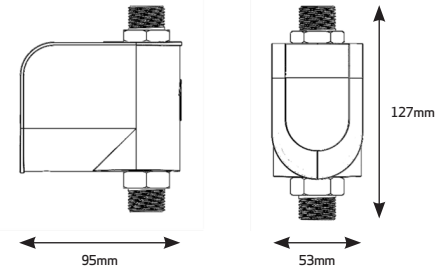
Suitable for mains and gravity fed systems, TapBoost will boost the water flow to a single outlet to 7 - 11 l/min depending on the incoming flow.

- Quicker bath-fill
- Stronger flowing taps
- Suitable for hot or cold water
- 2 year warranty

## INSTALLATION



## DIMENSIONS



\*Varies depending on incoming flow.

# CombiBoost

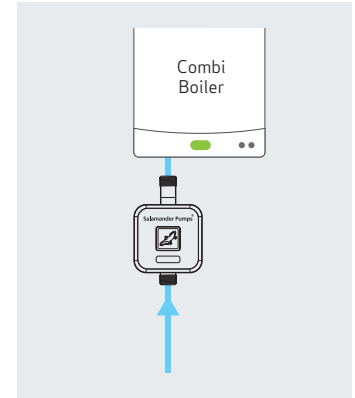
10l  
per min



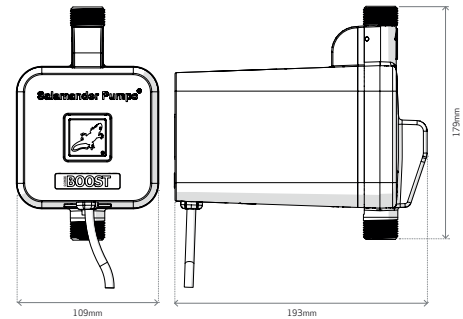
If you have a combi boiler that isn't performing as well as it should be due to poor water pressure and flow, then CombiBoost will help.

- Boost mains water flow to 10 l/min
- Improved shower performance
- Quicker bath-fill
- Stronger flowing taps
- 1 year warranty

## INSTALLATION



## DIMENSIONS



# HomeBoost

12l  
per min



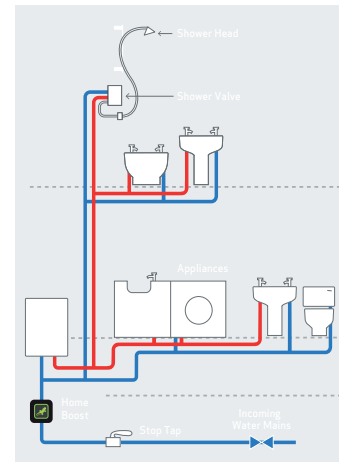
46dBA

HomeBoost is our intelligent inline mains booster pump.

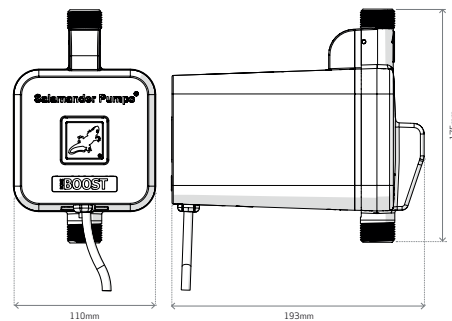
It recognises when water performance is low and quietly boosts water flow to 12 litres per minute.

- Boost mains water flow to 12 l/min
- Improved shower performance
- Quicker bath-fill
- Stronger flowing taps
- Flow indicator lights
- 3 year warranty

## INSTALLATION



## DIMENSIONS



# Inline Pumps

## Technical Specification


|                    |                                  | TapBoost                                  | CombiBoost         | HomeBoost          |
|--------------------|----------------------------------|---|--------------------|--------------------|
| <b>General</b>     | Guarantee                        | 2 Years                                   | 1 Year             | 3 Years            |
| <b>Features</b>    | Pump Type                        | Inline                                    | Inline             | Inline             |
| <b>Performance</b> | Litres per Min                   | 7-11l/min<br>(depending on incoming flow) | 10l/min            | 12l/min            |
|                    | Bar Rating                       | 0.5 bar                                   | 1.0 bar            | 1.6 bar            |
| <b>Motor</b>       | Type                             | Brushless                                 | Brushless          | Brushless          |
|                    | Duty Rating                      | Continuously rated                        | Continuously rated | Continuously rated |
|                    | Noise Rating                     | 34.2dBA                                   | N/A                | 46dBA              |
| <b>Electrical</b>  | Flow Indicator Light             | Yes                                       | No                 | Yes                |
|                    | Power Supply                     | 100-240v                                  | 230v               | 230v               |
|                    | Current (full load)              | 1.5 Amps                                  | 1.8 Amps           | 1.8 Amps           |
|                    | Power Consumption                | 18W                                       | Variable           | Variable           |
|                    | Fuse Rating                      | 3 Amps                                    | 3 Amps             | 3 Amps             |
|                    | Power Cable (with 3 pin plug)    | 4 metres                                  | 1.5 metres         | 1.5 metres         |
| <b>Physical</b>    | Enclosure Protection (IP Rating) | IPX4 - Pump, IPX0 - Power supply unit     | IPX4               | IPX4               |
|                    | Length                           | 95mm                                      | 193mm              | 193mm              |
|                    | Width                            | 53mm                                      | 109mm              | 110mm              |
|                    | Height                           | 127mm                                     | 179mm              | 175mm              |
|                    | Weight                           | 0.9kg                                     | 3.1kg              | 3.1kg              |





# AccuBoost Tank




 \*WHEN FILLING  
 FROM  
**28.1dBA\***

An unpumped AccuBoost accumulator tank provides an excellent solution for properties requiring additional water flow.

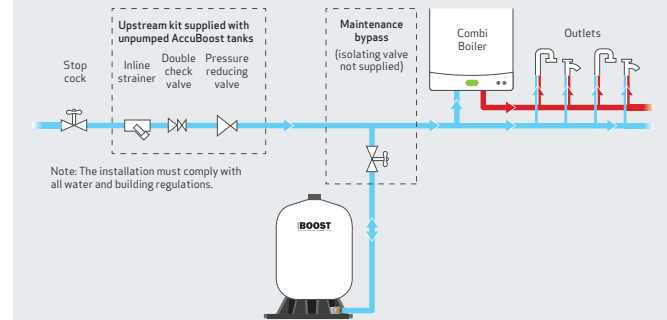
Available in 4 different tank sizes, this range will give an extra boost when pressure is good and water flow is above

12 litres per minute, but additional water flow is needed in addition to the mains supply.

- Lightweight, composite material
- Link multiple tanks together for additional capacity
- 3 year warranty

## INSTALLATION

### UNPUMPED



| Code        | Description                                    |
|-------------|--|
| ACC-060-TNK | AccuBoost 60 Tank: 60 litre accumulator tank   |
| ACC-120-TNK | AccuBoost 120 Tank: 120 litre accumulator tank |
| ACC-180-TNK | AccuBoost 180 Tank: 180 litre accumulator tank |
| ACC-450-TNK | AccuBoost 450 Tank: 450 litre accumulator tank |

# AccuBoost System




 FROM **61.1dBA\***  
\*WHEN FILLING

AccuBoost pumped models give an extra boost to mains water flow and pressure.

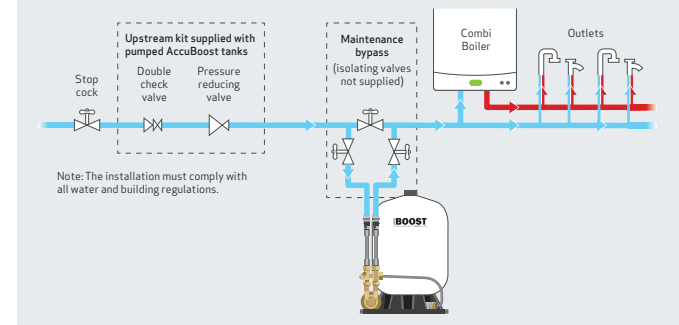
Available in 4 tank sizes, the AccuBoost pumped range will boost water performance when the incoming mains water flow and/or pressure is poor. The pumped option will always maintain a flow of 12 litres per minute in addition to the extra flow provided by the tank.

A pumped option is recommended if flow is less than 12 litres/min and/or the static pressure is below 2.0 bar.

- Lightweight, composite material
- 60L, 120L and 180L AccuBoost supplied as one unit ready to install
- Link multiple tanks together for additional capacity
- 3 year warranty

## INSTALLATION

### PUMPED



| Code        | Description  |
|-------------|--|
| ACC-060-SYS | AccuBoost 060 System: 60 litre pumped accumulator set  |
| ACC-120-SYS | AccuBoost 120 System: 120 litre pumped accumulator set |
| ACC-180-SYS | AccuBoost 180 System: 180 litre pumped accumulator set |
| ACC-450-SYS | AccuBoost 450 System: 450 litre pumped accumulator set |

## AccuBoost Tank (Unpumped) Technical Specification

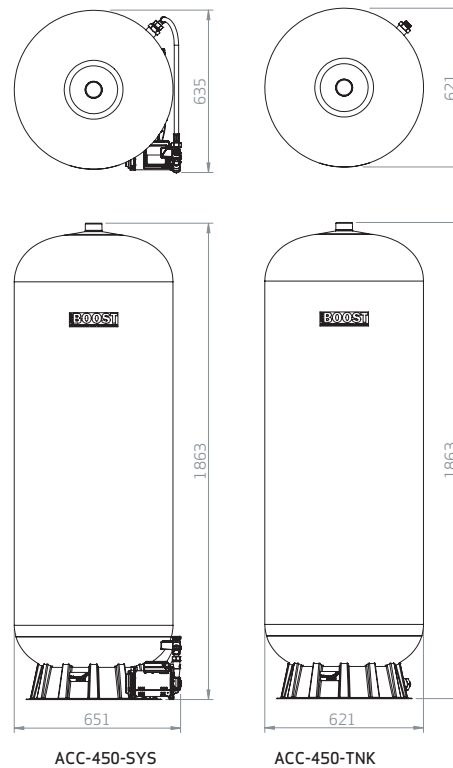
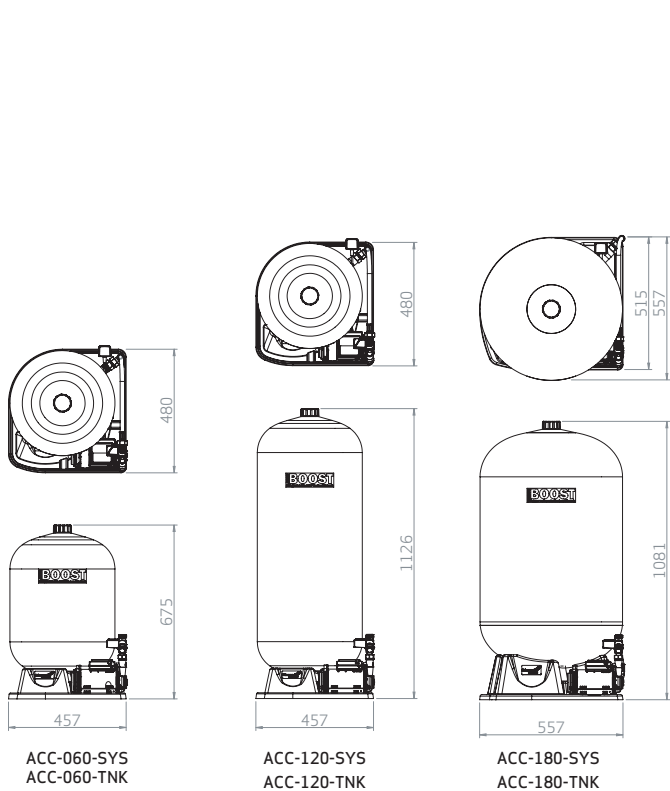
|                      | ACC-060-TNK  | ACC-120-TNK   | ACC-180-TNK | ACC-450-TNK |       |
|----------------------|--|---------------|-------------|-------------|-------|
| <b>Guarantee</b>     | 3 Years  |               |             |             |       |
| <b>Noise ratings</b> | Noise when filling (from dBA)                                | 35.4          | 38.9        | 38.6        | 28.1  |
|                      | Noise when emptying (from dBA)                               | 48.4          | 53.5        | 48.0        | 37.4  |
| <b>Specification</b> | Maximum Operating Pressure                                   | 8.6 Bar       |             |             |       |
|                      | Vessel Size (Litres)   | 55            | 112         | 178         | 453   |
|                      | Maximum Water Vessel Water Storage Capacity (Litres)         | 27.5          | 56          | 89          | 226.5 |
|                      | Flow Rate (Litres per min, not including natural mains flow) | 2             | 4           | 6           | 24    |
|                      | Connection Type  | 3/4" male BSP |             |             |       |
|                      | <b>Dimensions</b>  | Height (mm)   | 675         | 1126        | 1081  |
| Width (mm)           |  | 457           | 457         | 557         | 621   |
| Depth (mm)           |  | 480           | 480         | 557         | 621   |
| <b>Weights</b>       | Empty Weight (kg)  | 8.4           | 13          | 20.5        | 47.2  |
|                      | Filled Weight (kg)   | 35.9          | 69          | 109.5       | 273.5 |
|                      | Maximum Weight (kg)  | 63.4          | 125         | 198.5       | 500.2 |

## AccuBoost System (Pumped) Technical Specification

|                      | ACC-060-SYS   | ACC-120-SYS                             | ACC-180-SYS | ACC-450-SYS |         |
|----------------------|---|---|-------------|-------------|---------|
| <b>Guarantee</b>     | 3 Years   |   |             |             |         |
| <b>Noise ratings</b> | Noise when filling (from dBA)   | 61.9                                    | 64.5        | 63.2        | 61.6    |
|                      | Noise when emptying (from dBA)  | 60.5                                    | 64.1        | 63.0        | 60.6    |
| <b>Specification</b> | Maximum Operating Pressure  | 8.6 Bar                                 |             |             |         |
|                      | Vessel Size (Litres)  | 55                                      | 112         | 178         | 453     |
|                      | Maximum Water Vessel Water Storage Capacity (Litres)                    | 27.5                                    | 56          | 89          | 226.5   |
|                      | <b>Dimensions</b>   | Height (mm)                             | 675         | 1126        | 1081    |
| Width (mm)           |   | 457                                     | 457         | 557         | 635     |
| Depth (mm)           |   | 480                                     | 480         | 557         | 651     |
| <b>Weights</b>       | Empty Weight (kg)   | 15.6                                    | 20.2        | 27.7        | 54.4    |
|                      | Filled Weight (kg)  | 43.1                                    | 76.2        | 116.7       | 280.9   |
|                      | Maximum Weight (kg)   | 70.6                                    | 132.2       | 205.7       | 507.4   |
| <b>Pump</b>          | Pump Type   | Regenerative                            |             |             |         |
|                      | Pump Model  | ASSYACCUFORCE                           |             |             |         |
|                      | Mechanical Seal   | PTFE/EPDM/Rubber/Aluminium Oxide        |             |             |         |
|                      | Pump body/Impeller  | Brass                                   |             |             |         |
|                      | Enclosure Protection  | IPX4                                    |             |             |         |
| <b>Motor</b>         | Type  | Capacitor start and run induction motor |             |             |         |
|                      | Duty Rating   | Continuous                              |             |             |         |
| <b>Electrical</b>    | Power Supply/Phase/Frequency  | 230V/1/50Hz                             |             |             |         |
|                      | Current (Full load)   | 1.4 A                                   |             |             |         |
|                      | Power Consumption   | 300w                                    |             |             |         |
|                      | Fuse Rating   | 3A                                      |             |             |         |
|                      | Power Cable   | Pre wired with plug                     |             |             |         |
| <b>Connections</b>   | Pump  | 3/4" male BSP                           |             |             |         |
|                      | Anti vibration Couplers   | 3/4" female BSP - 22m push-in           |             |             |         |
| <b>Performance</b>   | Maximum Head  | 3 bar                                   |             |             |         |
|                      | Maximum Flow Rate   | 14l/min                                 | 16l/min     | 18l/min     | 36l/min |
|                      | Time at Maximum Flow Rate   | 9 mins                                  | 9 mins      | 9 mins      | 9 mins  |
|                      | Minimum Continuous Flow Rate  | 12l/min                                 | 12l/min     | 12l/min     | 12l/min |
|                      | Performance values may be higher if mains natural flow is above 12l/min |   |             |             |         |



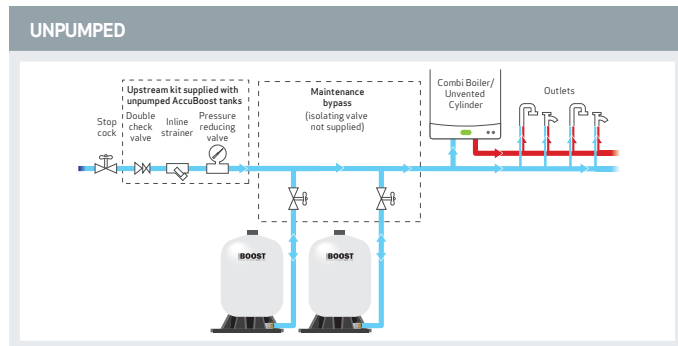
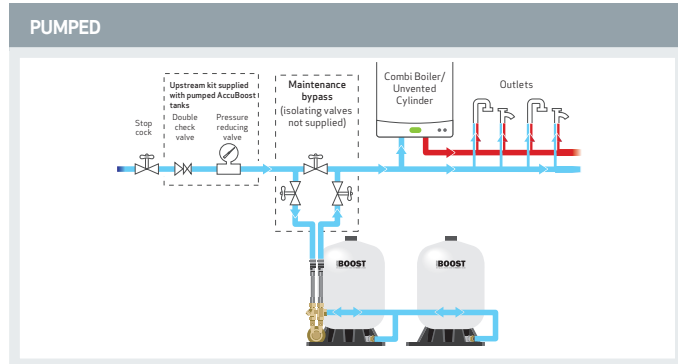
DIMENSIONS



# AccuBoost Linking Multiple Tanks

If additional water storage capacity is required, multiple tanks can be installed in a system, only one pump can be fitted per installation.

A Salamander Pumps' tank connector kit (TNK-CON-KIT) can be purchased separately to allow multiple tanks to be connected.



# MainsBooster Accessories

Accessories only compatible with Salamander Pumps' MainsBooster range.

## Inline Pump Accessories



### CHBFIT01

Suitable for HomeBoost and CombiBoost. Inline pump fitting kit. Included in kit: Isolation valve connector, straight connector, set of adapters to allow either 15mm or 22mm pipe connection.



### TAPBOOST PSU REPLACEMENT

This pack consists of a power supply unit and a mains power lead. Suitable only for Salamander Pumps' TapBoost.

## AccuBoost Accessories



### ACC-UPG-KIT

Upgrade an unpumped accumulator tank to a pumped model.



### FLO-RES-KIT

Allows the flow rate from AccuBoost to be adjusted.



### TNK-CON-KIT

Connect multiple AccuBoost tanks together.



### TNK-HOSE

Replacement tank hose.



# Customer Experience

At Salamander Pumps we put the customer at the centre of everything we do. Our aim is to make the selection, installation and operation of our products as easy as possible which is why we offer a range of ways for us to help you.

## Product Selection

Choosing the right product for the installation is crucial to ensure longevity and smooth running, that's why we offer technical assistance, guidance and advice to ensure that you select the right product for the job.

Visit our Online Product Selector

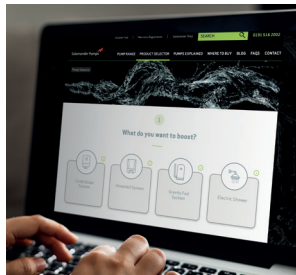


## Brochures

Our brochures are designed to help guide you through the decision process to make sure you get the right product for your particular installation.

## Website

We've created an easy to use product selector that you can find on our website ([www.salamanderpumps.co.uk/product-selector](http://www.salamanderpumps.co.uk/product-selector)) that'll ask you a few simple questions and then shows you which products would be right for you.



## Installation Advice

If you're faced with an installation that isn't straightforward or if you have any questions on best installation practices, we're here to help.



### On the phone

We have a team of technically trained customer service agents who can guide you over the phone.

Call us on 0191 516 2002.



### Online Chat

Our online chat facility is manned during office hours, by the same technically trained people who are answering the telephones.

Visit [www.salamanderpumps.co.uk](http://www.salamanderpumps.co.uk)

Visit Online Chat



### YouTube

Our Youtube channel has lots of videos showing practical help and a visual guide to make sure your pump is installed in a way that will give it as long a life as possible.

Visit [www.youtube.com/SalamanderPumps](http://www.youtube.com/SalamanderPumps)

Visit YouTube



## Post Installation Advice

Although our pumps are built to the highest quality and each and every one is tested before it leaves the factory, there can still be issues after a pump has been fitted.

Sometimes these can be quickly fixed over the telephone, some need a bit more investigation, but we are here to help. If you do ever need to contact us regarding a faulty pump, it's always better if you've registered the product with us via our website, or at the very least you have the serial number of the pump to hand.

Our website FAQ section has a lot of information on troubleshooting problems with your pump too, including some step by step guides to some simple tests that we sometimes ask you to do to work out the potential issue with the pump.

The warranty period for our products depends on the type of pump it is and T&Cs can be found at: [www.salamanderpumps.co.uk/terms.php](http://www.salamanderpumps.co.uk/terms.php)



# Get in touch, we're here to help

Unit 2c Colima Avenue  
Enterprise Park West  
Sunderland, SR5 3XE



[salamanderpumps.co.uk](http://salamanderpumps.co.uk)



Salamander Pumped Shower System Ltd is part of The Davidson Holdings Group  
Errors and omissions excepted. Printed September 2022.