

SMB10/3HME09S11/T4

Technical data

Company name
Contact
Phone number
e-mail address

Operating data					
1	Nominal flow	m ³ /h	0	Fluid	Water, pure
2	Nominal head	m	0	Operating temperature t A	°C 4
3	Static head	m	0	pH-value at t A	7
4	Inlet pressure	kPa	0	Density at t A	kg/m ³ 1000
5	Env ironmental temperature	°C	20	Kin. viscosity at t A	mm ² /s 1.569
6	Av ailable system NPSH	m	0	Vapor pressure at t A	kPa 100
7	Solids		0	Altitude	m 0
8					
Pump data					
9	Pump designation			Impeller Ø	Max. mm
10	SMB10/3HME09S11/T4			designed	mm
11	Design	Variable speed		Min.	mm
12	Make			Nominal	m ³ /h ()
13				Max-	m ³ /h 5.2
14	Speed	rpm	2900	Min-	m ³ /h 1.4
15				Nominal	m
16	Max. working pressure	kPa	986.9	at Qmax	m 34.1
17	Head H(Q=0)	m	100	at Qmin	m 102.3
18	Weight	kg	On demand	Shaft power	kW ()
19	Weight data include external package			Max. shaft power	kW 1.2
20				Efficiency	%
21				NPSH 3%	m
Materials					
22		Booster		Motor data	
23	Non-return valves	Brass		Manufacturer	Lowara
24	Pressure switches	Galvanized steel/AISI 301		Electric voltage	240 V
25	Pressure transmitters	Stainless steel, 1.4301, AISI 304		Specific design	Three phase e-SM motor
26	Caps/plugs/flanges	AISI 304 / 316		Type	ESM80/311 HM..
27	Fittings	AISI 304 / 316		Rated power	1.1 kW
28				Speed	3600 rpm
29				Frame size	80
30				Weight	0 kg
31					
32					
Standard options					
33	Non return valve position	Non return valve in delive side			
34	Set certificate				
35	Material Combination	SMB10 - Standard materials combination			
36	Pump Test	Set without certified pumps			
37	High pressure protection	Without high pressure protection on delivery			
38	Turned Delivery Manifold				
39	Oversize Piping				
40	Control Panel				
41	Protection Against Dry Running	Without protection against dry running			
42	Control Devices Oversized	Standard			
43	Delivery Side				
44	Suction side				
45	Pressure Transmitter				
46	Control Panel Position				
47	Electric Pump Special Seals				
48	Non-return Valve	Standard non-return valve			

SMB10/3HME09S11/T4

Performance curve

Company name
Contact
Phone number
e-mail address

Operating Data Specification

Flow 0 m³/h
Head 0 m
Static head 0 m

Hydraulic data (duty point)

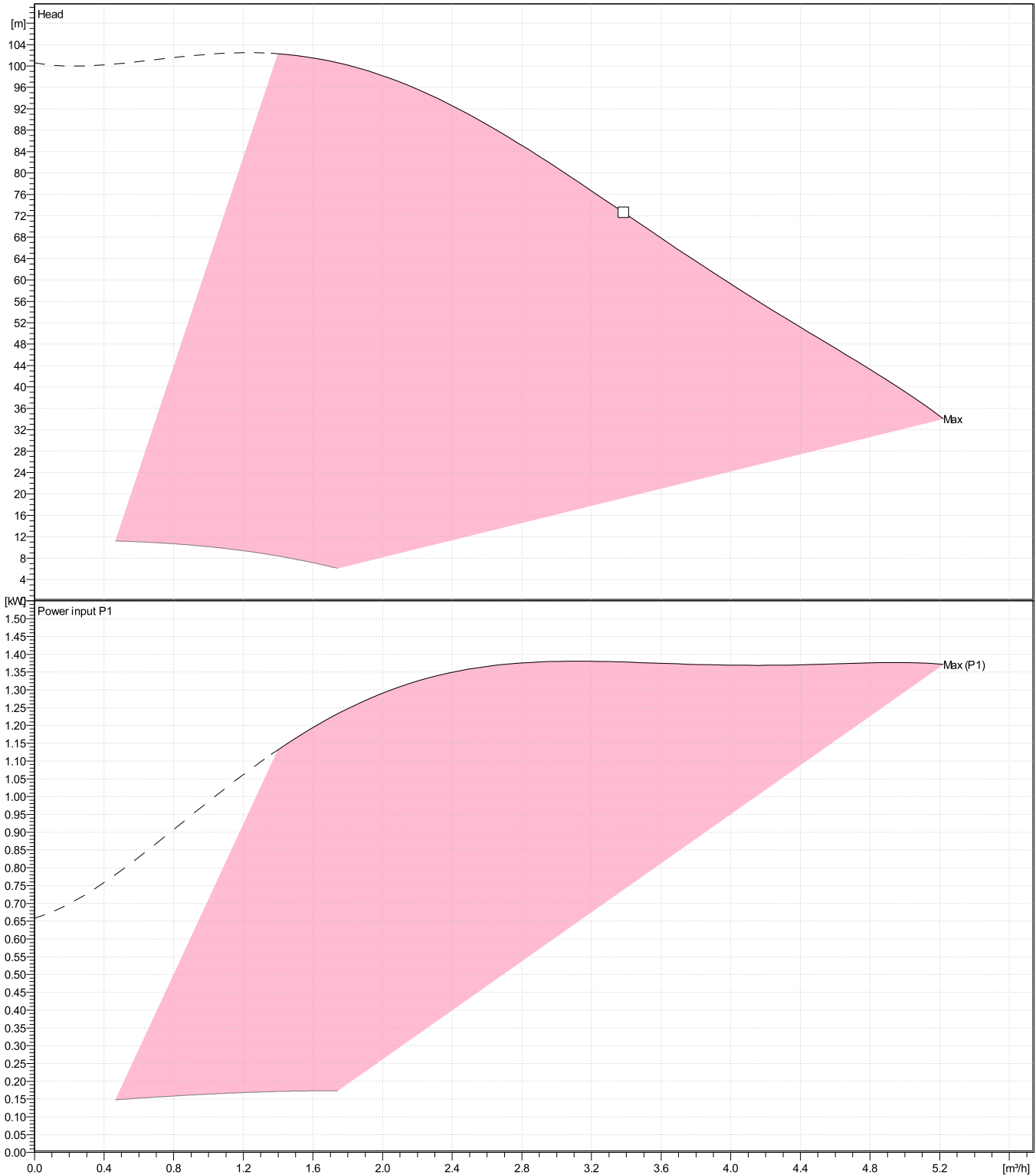
Flow
Head

Impeller design

Impeller R 0 mm
Frequency 50 Hz
Speed 2900 rpm

Power datas referred to:

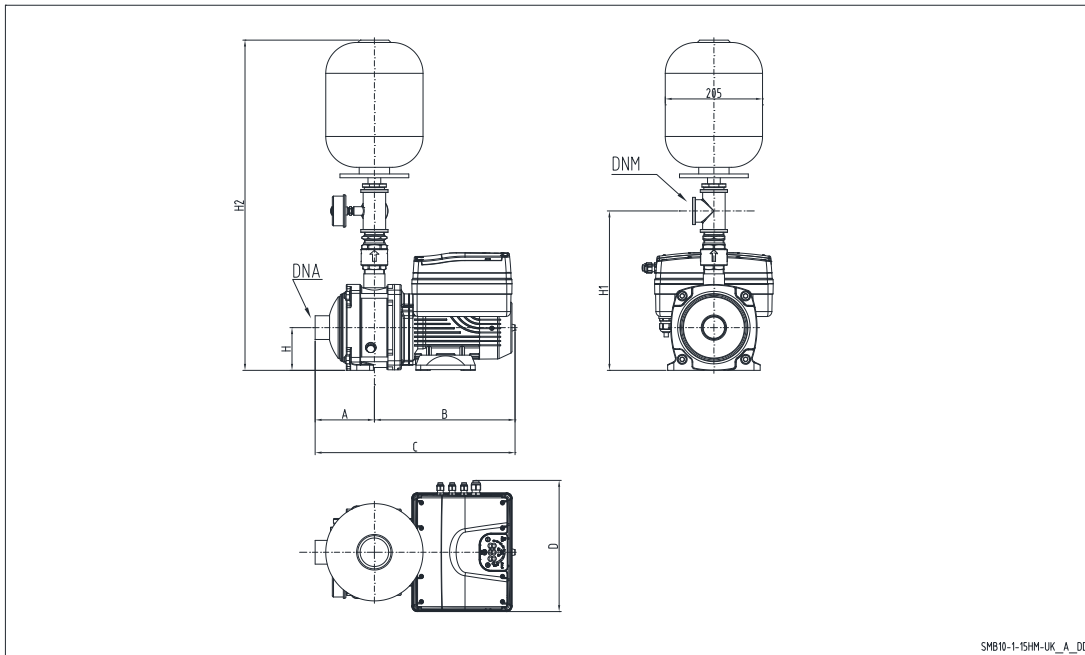
Water, pure [100%]; 4°C; 1000kg/m³; 1.57mm²/s
Performance according to ISO 9906:2012 – Grade 3B



SMB10/3HME09S11/T4

Dimensions

Company name
Contact
Phone number
e-mail address



SMB10-1-15HM-UK_A_DD

PLEASE NOTE:

Dimensions

mm

A	191					Weight (Include external package) On demand
B	296					
C	487					
D	277					
DNA	Rp 1"					
DNM	Rp 1"					
H	90					
H1	285					
H2	633					

Project	Xylect-20856480	Created by		Last update	7/14/2023
Block	SMB10/3HME09S11/T4	Created on	7/14/2023		