

## SMB10/10HME02S11/M2

### Technical data

Company name  
Contact  
Phone number  
e-mail address

Operating data					
1	Nominal flow	m <sup>3</sup> /h	0	Fluid	Water, pure
2	Nominal head	m	0	Operating temperature t A	°C 4
3	Static head	m	0	pH-value at t A	7
4	Inlet pressure	kPa	0	Density at t A	kg/m <sup>3</sup> 1000
5	Environmental temperature	°C	20	Kin. viscosity at t A	mm <sup>2</sup> /s 1.569
6	Available system NPSH	m	0	Vapor pressure at t A	kPa 100
7	Solids		0	Altitude	m 0
8					
Pump data					
9	Pump designation			Max.	mm 73
10	SMB10/10HME02S11/M2			designed	mm 73
11	Design	Variable speed		Min.	mm 73
12	Make			Nominal	m <sup>3</sup> /h ( )
13				Max-	m <sup>3</sup> /h 17
14	Speed	rpm	2900	Min-	m <sup>3</sup> /h 6.1
15				Nominal	m
16	Max. working pressure	kPa	343.3	at Qmax	m 11.1
17	Head H(Q=0)	m	35	at Qmin	m 33.4
18	Weight	kg	On demand	Shaft power	kW ( )
19	Weight data include external package			Max. shaft power	kW 1.1
20				Efficiency	%
21				NPSH 3%	m
Materials					
22		<b>Booster</b>		<b>Motor data</b>	
23	Non-return valves	Brass		Manufacturer	Lowara
24	Pressure switches	Galvanized steel/AISI 301		Electric voltage	208 V
25	Pressure transmitters	Stainless steel, 1.4301, AISI 304		Specific design	Single phase e-SM motor
26	Caps/plugs/flanges	AISI 304 / 316		Type	ESM80/111 HM
27	Fittings	AISI 304 / 316		Rated power	1.1 kW
28				Speed	3600 rpm
29				Insulation class	F
30				Frame size	80
31				Weight	0 kg
32					
Standard options					
33	Non return valve position			Non return valve in delivery side	
34	Set certificate				
35	Material Combination			SMB10 - Standard materials combination	
36	Pump Test			Set without certified pumps	
37	High pressure protection			Without high pressure protection on delivery	
38	Turned Delivery Manifold				
39	Oversize Piping				
40	Control Panel				
41	Protection Against Dry Running			Without protection against dry running	
42	Control Devices Oversized			Standard	
43	Delivery Side				
44	Suction side				
45	Pressure Transmitter				
46	Control Panel Position				
47	Electric Pump Special Seals				
48	Non-return Valve			Standard non-return valve	

## SMB10/10HME02S11/M2

### Performance curve

Company name  
Contact  
Phone number  
e-mail address

#### Operating Data Specification

Flow 0 m<sup>3</sup>/h  
Head 0 m  
Static head 0 m

#### Hydraulic data (duty point)

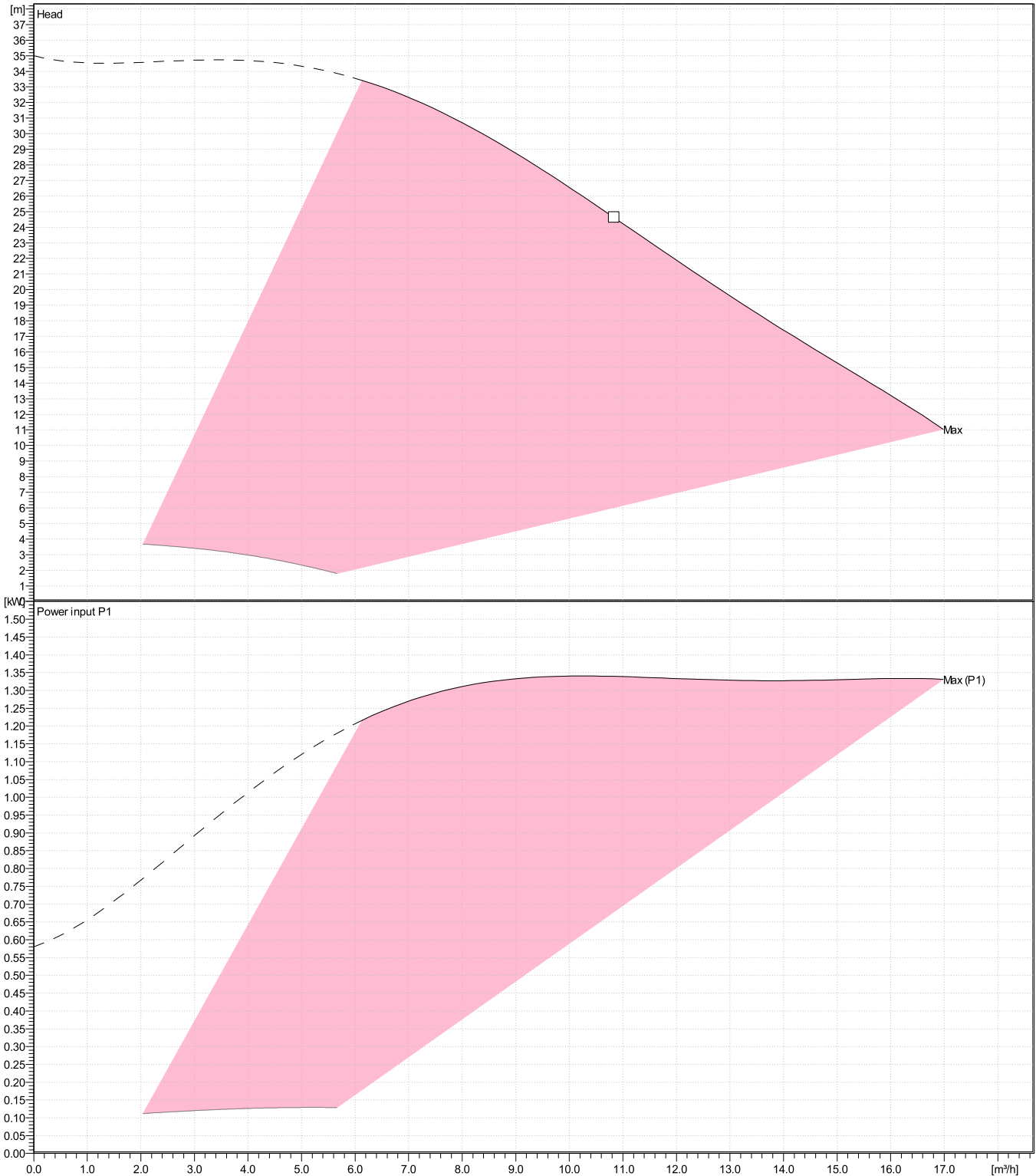
Flow  
Head

#### Impeller design

Impeller R 73 mm  
Frequency 50 Hz  
Speed 2900 rpm

#### Power datas referred to:

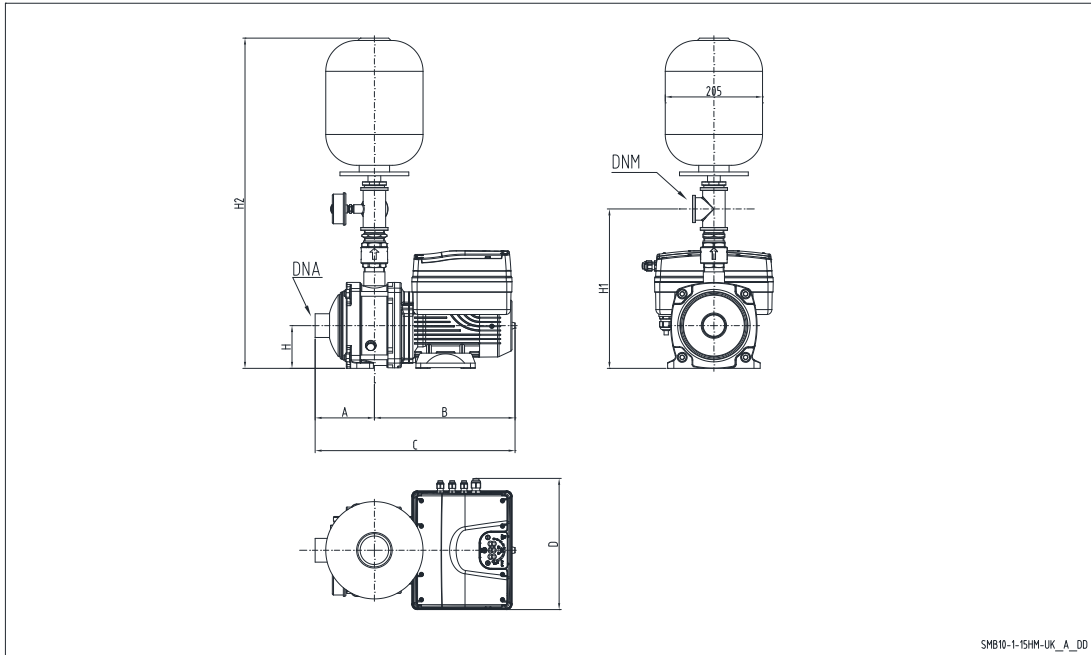
Water, pure [100%]; 4°C; 1000kg/m<sup>3</sup>; 1.57mm<sup>2</sup>/s  
Performance according to ISO 9906:2012 – Grade 3B



**SMB10/10HME02S11/M2**

**Dimensions**

Company name  
Contact  
Phone number  
e-mail address



SMB10-1-15HM-UK\_A\_DD

**PLEASE NOTE:**

**Dimensions**

mm

A	125					Weight (Include external package) On demand
B	297					
C	422					
D	224					
DNA	Rp 1" 1/2					
DNM	Rp 1" 1/4					
H	90					
H1	337					
H2	702					

<b>Project</b>	Xylect-20856480	<b>Created by</b>		<b>Last update</b>	7/14/2023
<b>Block</b>	SMB10/10HME02S11/M2	<b>Created on</b>	7/14/2023		