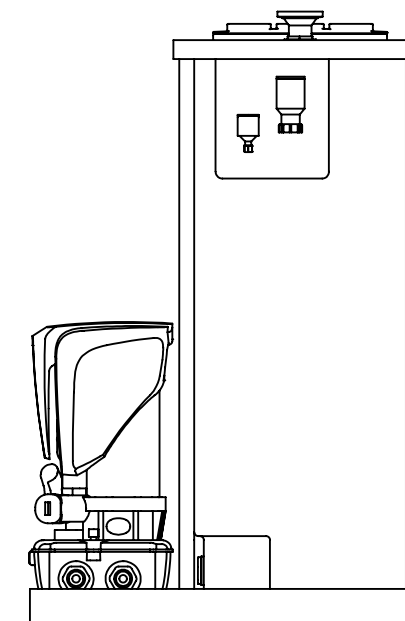
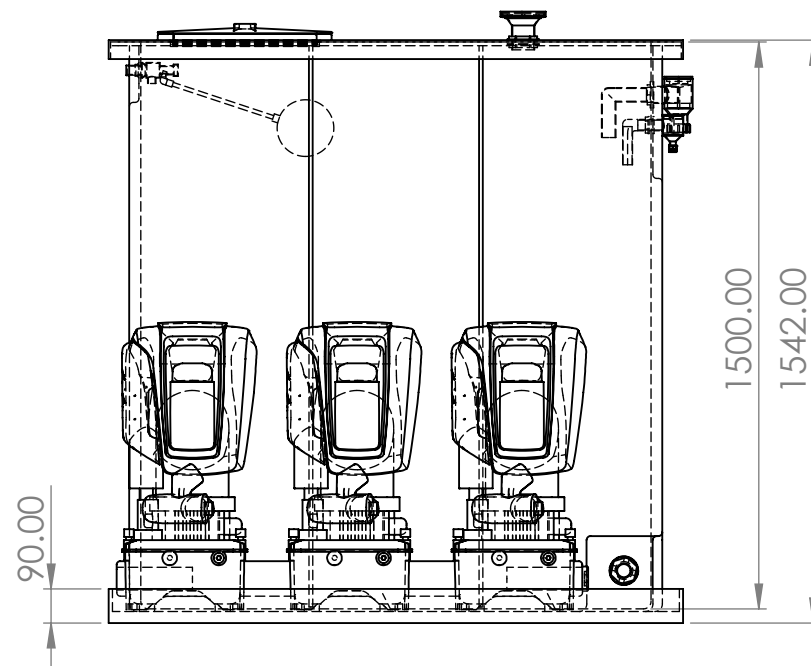
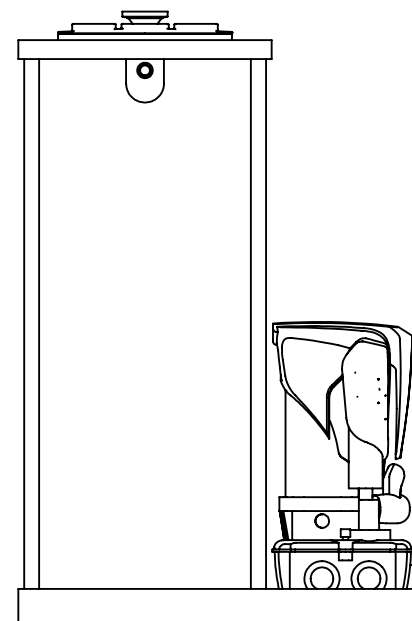
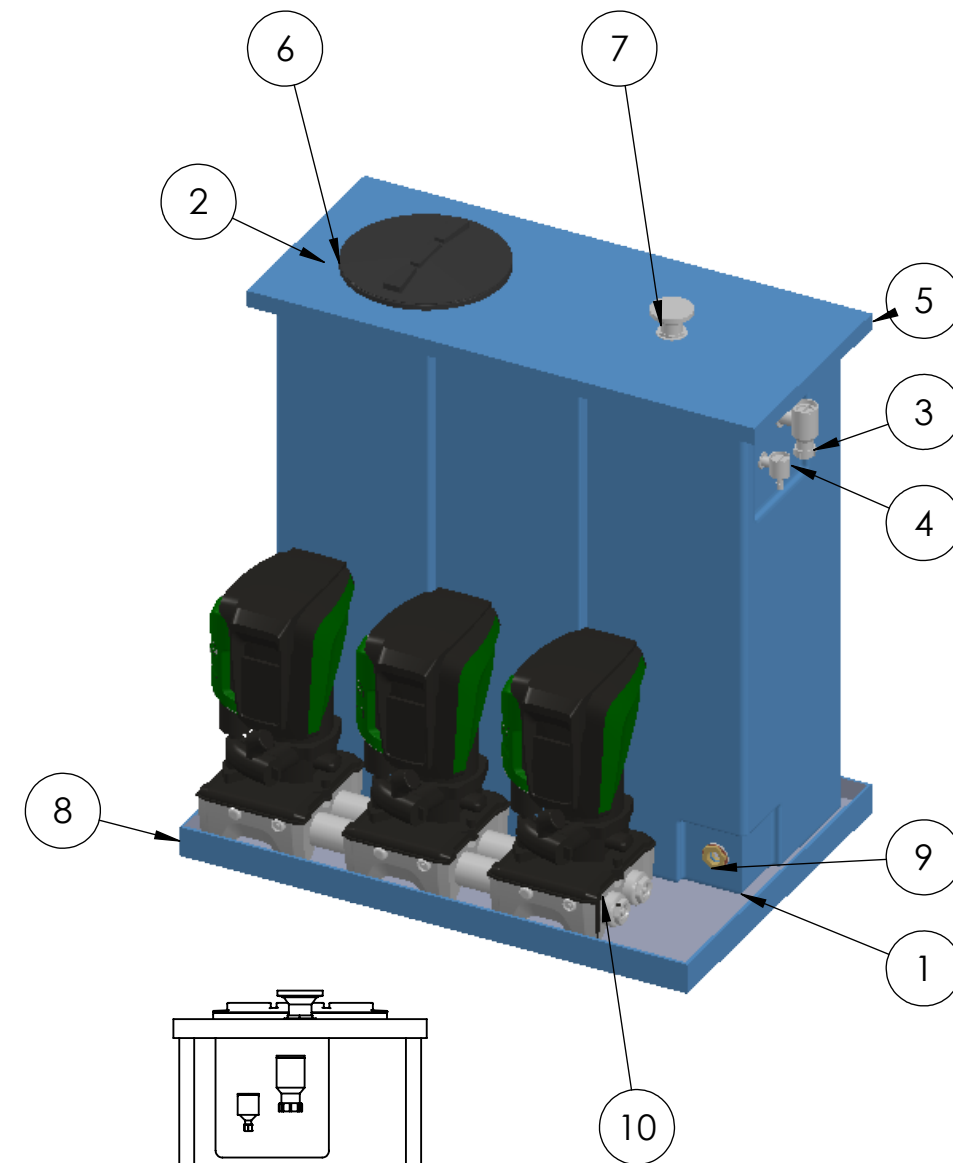
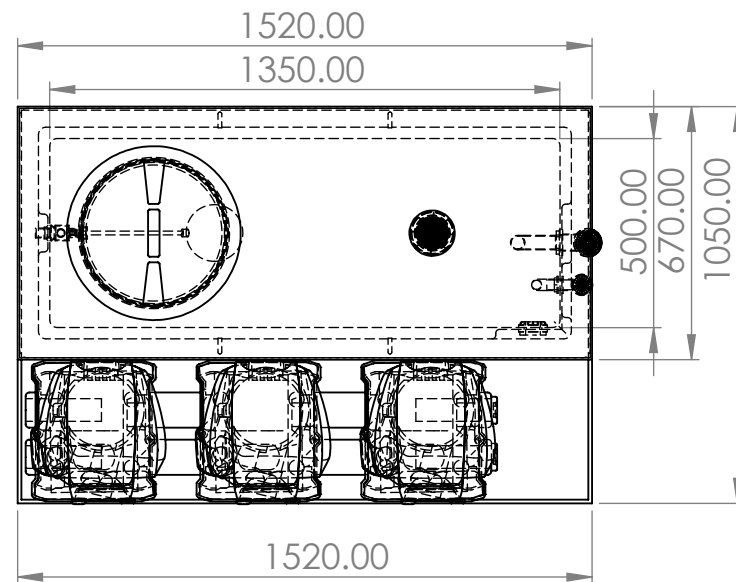


ITEM NO.	PART NUMBER	DESCRIPTION	QTY.
1	DAB 1350 X 500 X 1500 PREINS TANK		1
2	22mm Equilibrium ValveSLDPRT	Complete with copper float	1
3	1.5 Inch Overflow		1
4	22mm Warning Pipe		1
5	DAB1000 Preins Lid	Ext Dims L/W/H 1520 x 670 x 50mm	1
6	400 Round Hatch414		1
7	Screened Lid Vent		1
8	DAB CONDENCE TRAY 1550 X 1050		1
9	1.25 Inch Brass Essex	Tank Connector	1
10	3 ESYBOX MAX .stp		1

### DAB1000P Esybox Max 3



All Provisions are shown in standard locations  
 If required differently Please amend prior to order  
 I am signing to approve this drawing to progress my order into the build program  
 I accept that I cannot cancel this order following my signature of approval

Name	Signature	Drawing approval date

DAB Pumps LTD  
 Unit 6 Gilbert Court  
 Newcomen Way  
 Severalls Park  
 Colchester  
 CO4 9WN  
[WWW.dabpumps.com](http://www.dabpumps.com)

