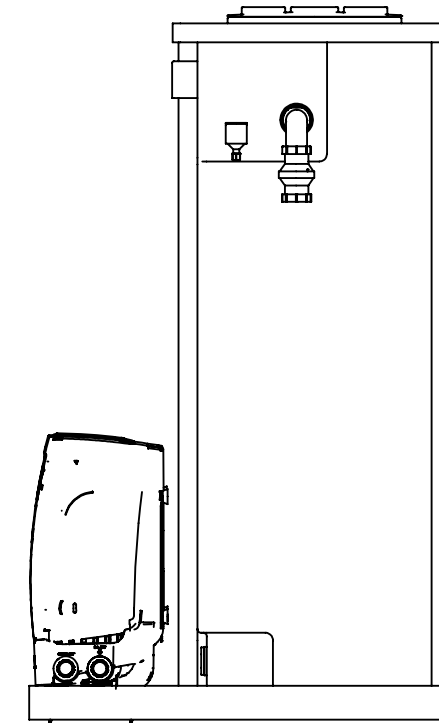
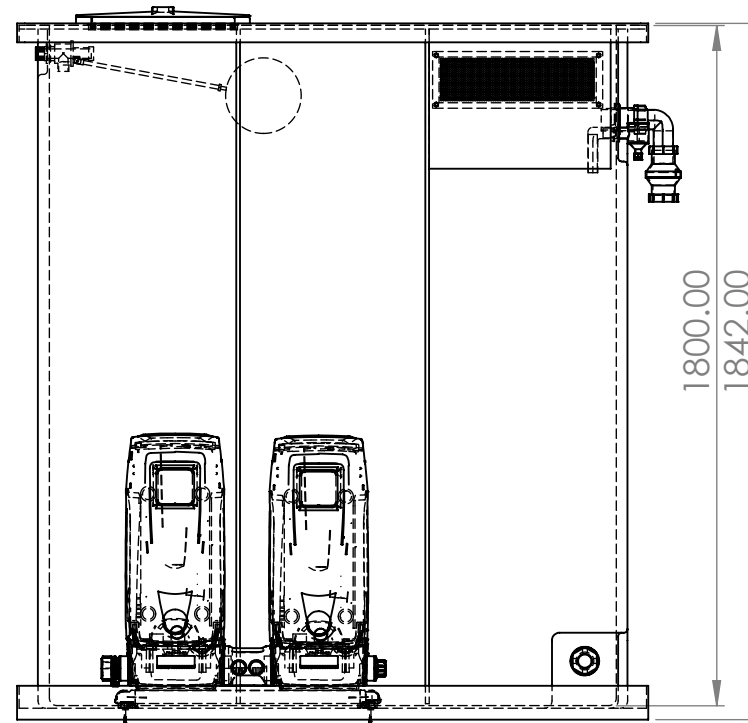
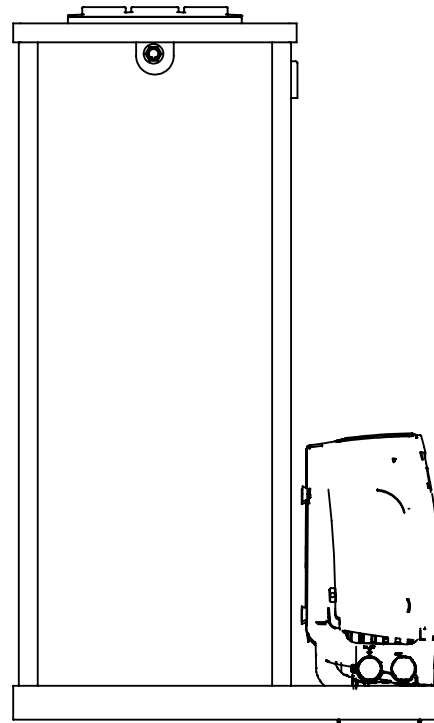
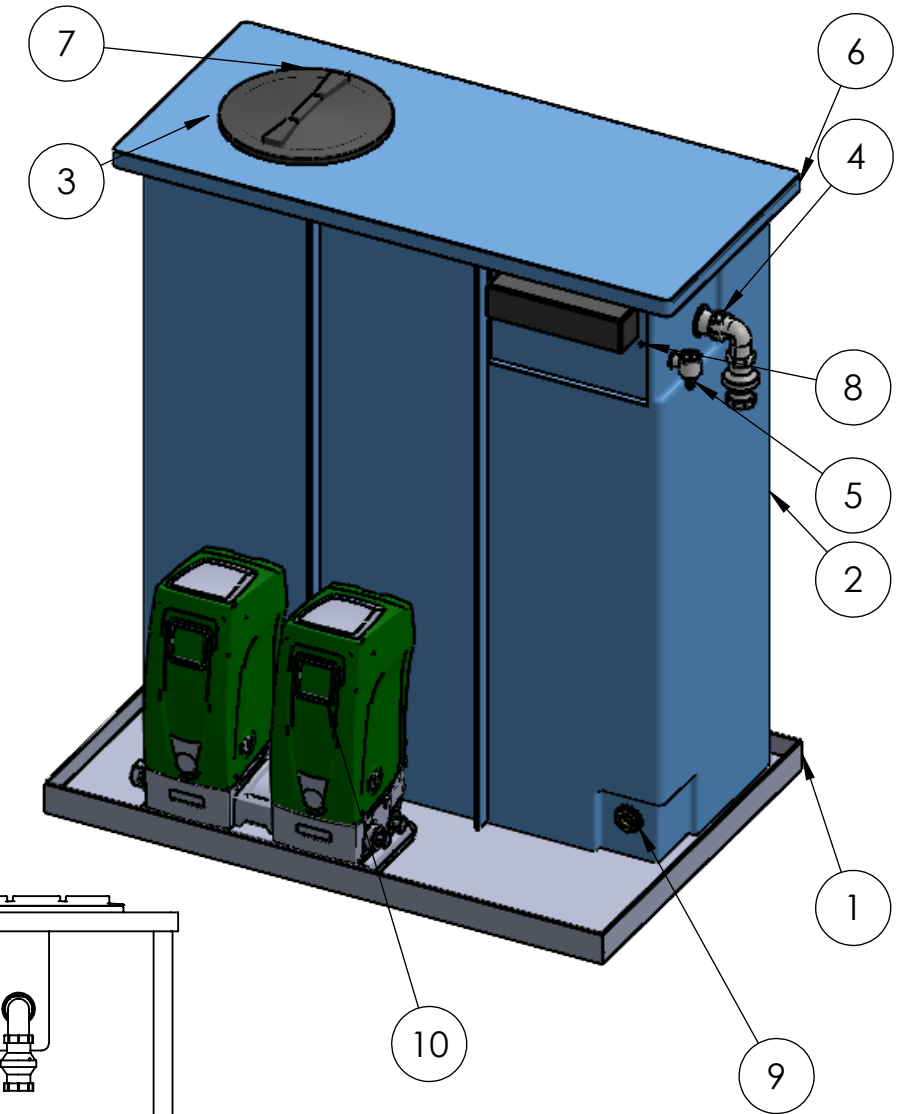
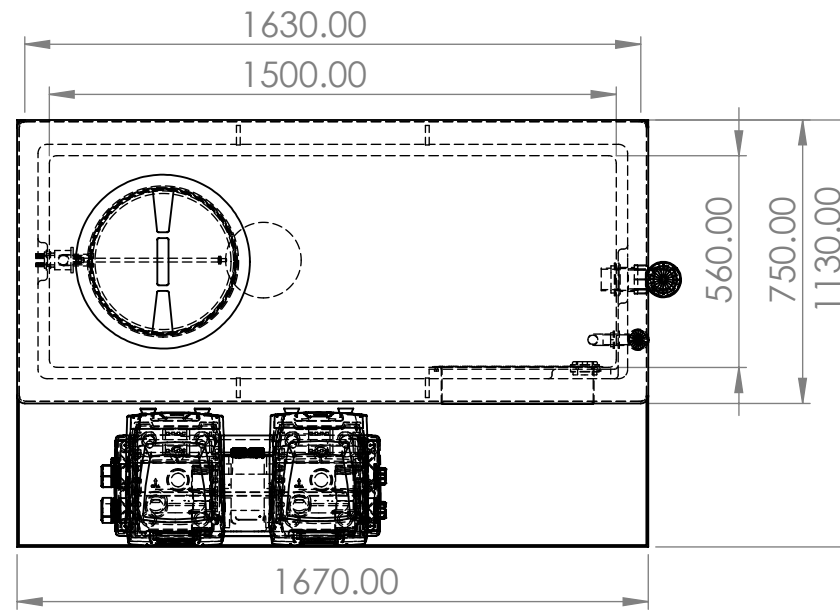


ITEM NO.	PART NUMBER	DESCRIPTION	QTY.
1	Dab 1500 Condense Tray	Ext Dims L/W/H 1670 x 1130 x 90mm	1
2	DAB1512 Tank	Int Dims L/W/H 1500 x 560 x 1800mm	1
3	25mm Equilibrium Valve	Complete with copper float	1
4	2 Inch Screened Overflow		1
5	22mm Warning Pipe		1
6	DAB1500 Preins Lid	Ext Dims L/W/H 1670 x 750 x 50mm	1
7	400 Round Hatch414		1
8	400x95ABWEIR		1
9	1.25 Inch Brass Essex	Tank Connector	1
10	KIT 2 E.sybox + E.sytwin.stp		1

## DAB1512AB + Esybox Twin



All Provisions are shown in standard locations  
If required differently Please amend prior to order

I am signing to approve this drawing to progress my order into the build program  
I accept that I cannot cancel this order following my signature of approval

Name	Signature	Drawing approval date

DAB Pumps LTD  
Unit 6 Gilbert Court  
Newcomen Way  
Severalls Park  
Colchester  
CO4 9WN  
WWW.dabpumps.com

