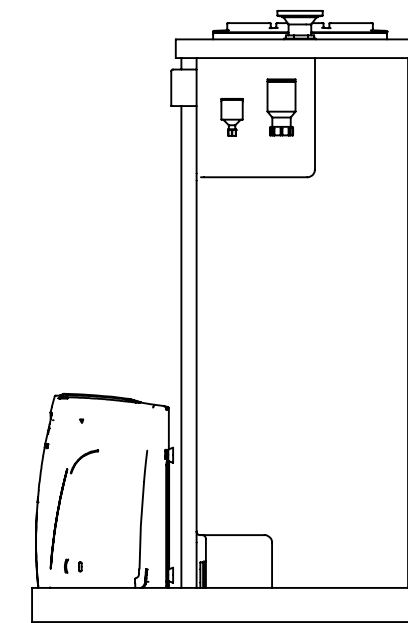
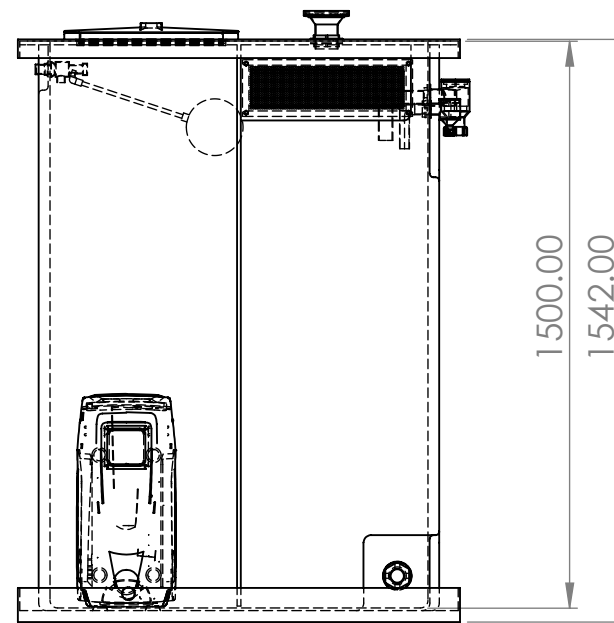
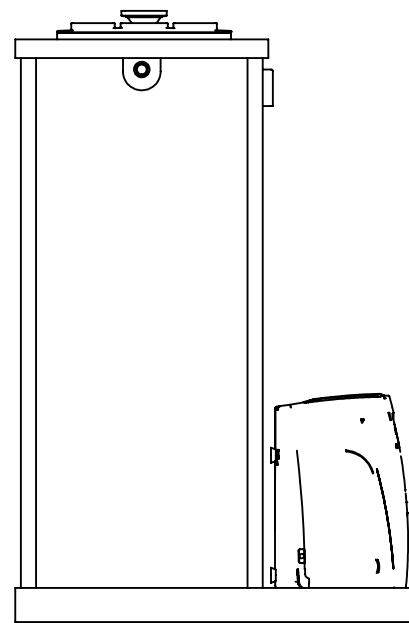
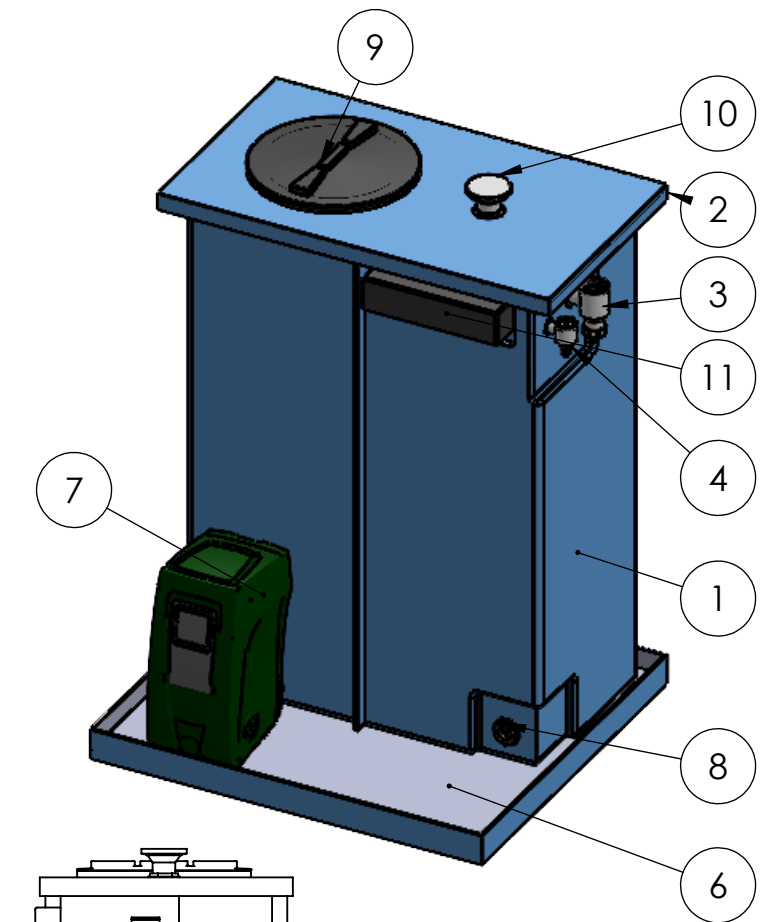
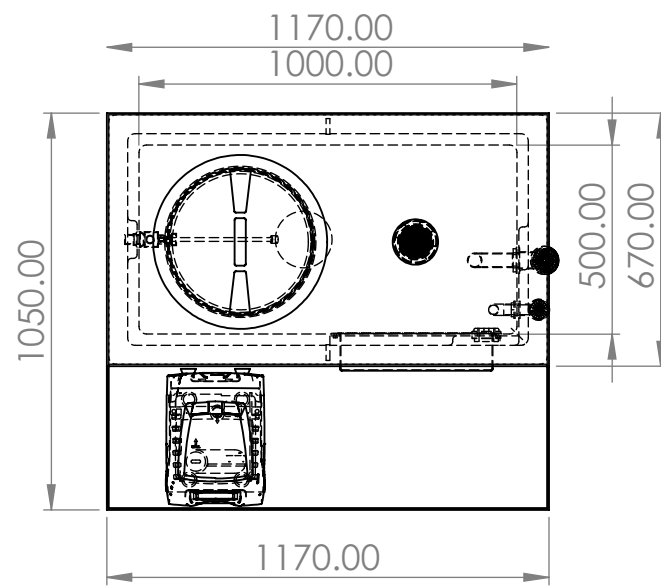


ITEM NO.	PART NUMBER	DESCRIPTION	QTY.
1	DAB750 Tank		1
2	DAB750 Preins Lid	Ext Dims L/W/H 1170 x 670 x 50mm	1
3	1.5 Inch Overflow		1
4	22mm Warning Pipe		1
5	22mm eq		1
6	Dab Condense Tray	Ext Dims L/w/H 1170 x 1050 x 90mm	1
7	e.sybox.stp		1
8	1.25 Inch Brass Essex	Tank Connector	1
9	400 Round Hatch414		1
10	Screened Lid Vent		1
11	400x95ABWEIR		1

DAB750AB + Eskybox Single



All Provisions are shown in standard locations
 If required differently Please amend prior to order

I am signing to approve this drawing to progress my order into the build program
 I accept that I cannot cancel this order following my signature of approval

Name	Signature	Drawing approval date

DAB Pumps LTD
 Unit 6 Gilbert Court
 Newcomen Way
 Severalls Park
 Colchester
 CO4 9WN
 WWW.dabpumps.com

