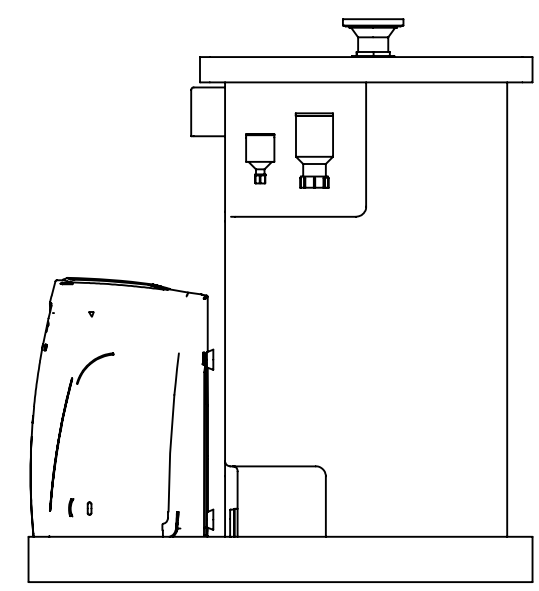
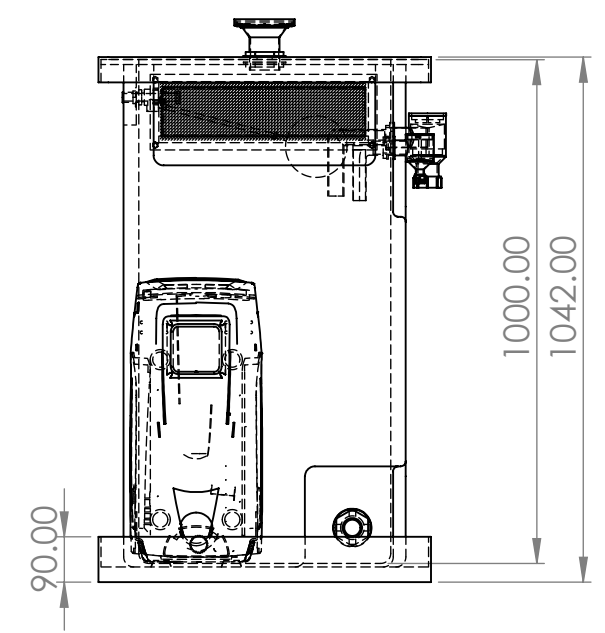
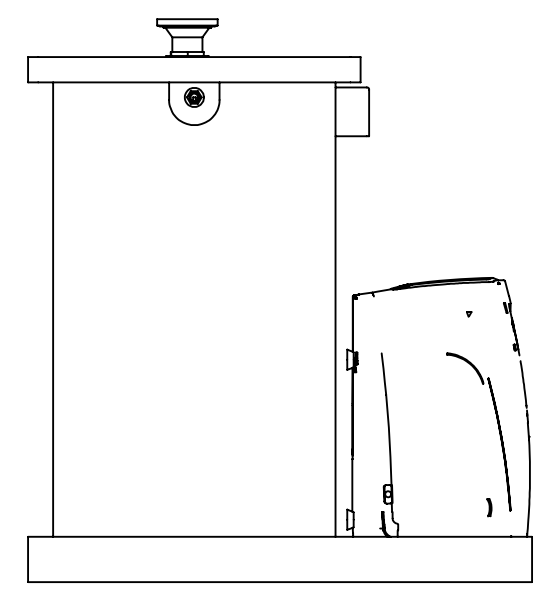
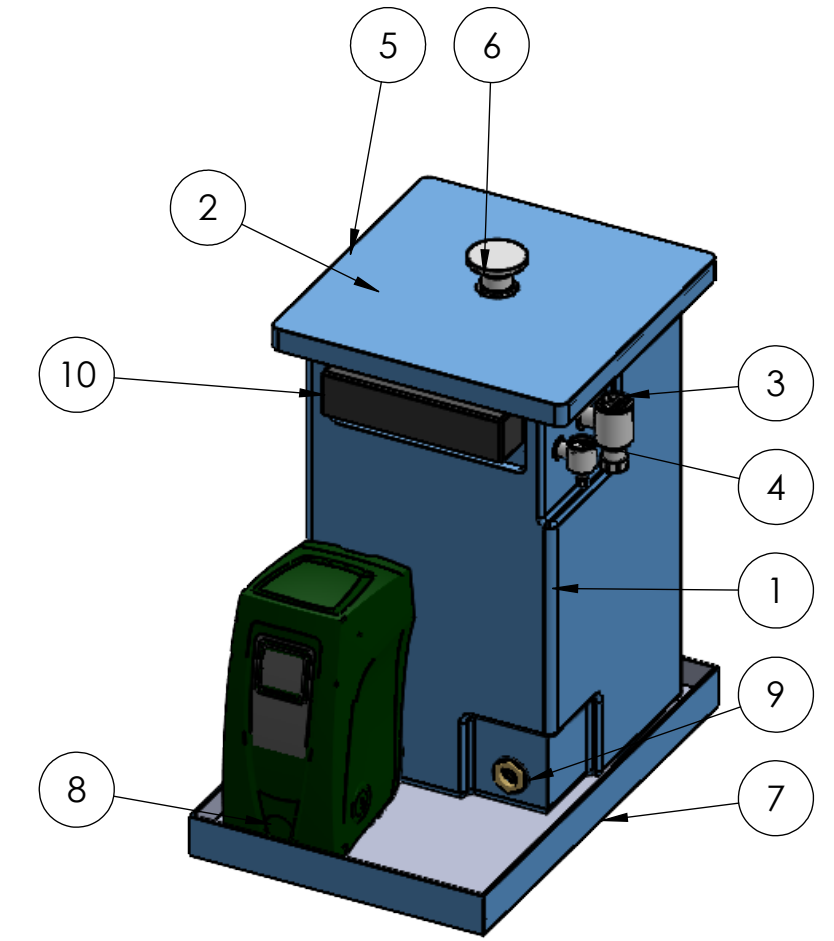
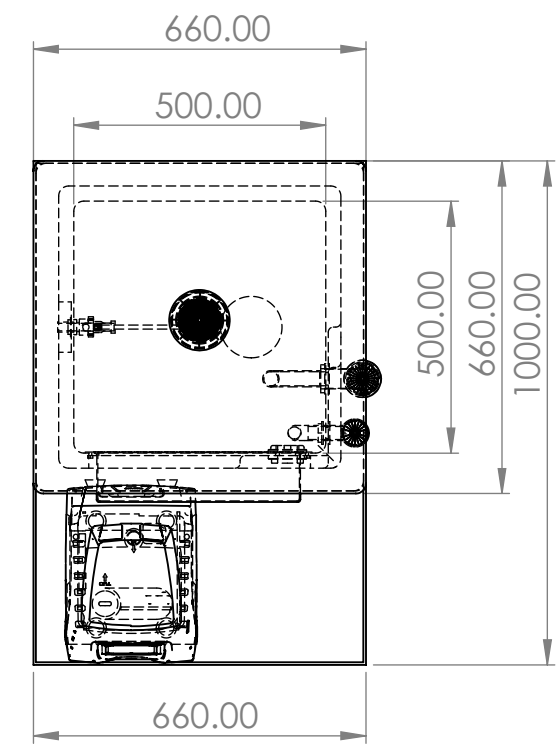


ITEM NO.	PART NUMBER	DESCRIPTION	QTY.
1	DAB 250P Tank		1
2	Half Inch Equilibrium	Complete with Copper float	1
3	1 Inch Overflow		1
4	22mm Warning Pipe		1
5	DAB250 Preins Lid	Ext dims L/W/H 660 x 660 x 50mm	1
6	Screened Lid Vent		1
7	D250 660 x 1000 x 90mm Condense Tray	1" Encapsulated Marine Ply	1
8	e.sybox.stp		1
9	1.25 Inch Brass Essex	Tank Connector	1
10	400x95ABWEIR		1

DAB250AB + Esybox



All Provisions are shown in standard locations
 If required differently Please amend prior to order
 I am signing to approve this drawing to progress my order into the build program
 I accept that I cannot cancel this order following my signature of approval

Name	Signature	Drawing approval date

DAB Pumps LTD
 Unit 6 Gilbert Court
 Newcomen Way
 Severalls Park
 Colchester
 CO4 9WN
 WWW.dabpumps.com

