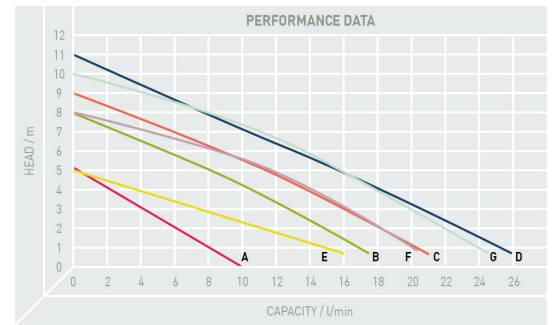


Submersible Sump Pump

The Sumpy is a fully submersible, automatic sump pump for small water drainage applications. An integral float switch senses the rise and fall in water level and controls the pump automatically. The body and strainer are produced in technopolymer with a stainless steel shaft, fitted with a lipseal and a mechanical seal.

Features:

- Robust construction
- Submersion depth: Max 5m
- Liquid temperature upto 35°C
- IP68 motor



TECHNICAL SPECIFICATION

PUMP TYPE	PRODUCT CODE	CURVE	OUTPUT		DISCHARGE		MAXIMUM		FREE PASSAGE mm	CABLE	WEIGHT kg
			kW		mm	inch	HEAD M	CAPACITY LPM			
Sumpy 30 110V	PW/SUMPY30-2	/A	0.1		25	1	5	100	5 x 4	5	3.9
Sumpy 30 230V	PW/SUMPY30	/A	0.1		25	1	5	100	5 x 4	5	3.9
Sumpy 75 110V	PW/SUMPY75-2	/B	0.2		32	1¼	8	175	12 x 5	5	5.2
Sumpy 75 230V	PW/SUMPY75	/B	0.2		32	1¼	8	175	12 x 5	5	5.2
Sumpy 100 110V	PW/SUMPY100-2	/C	0.37		40	1½	9	210	12 x 5	5	6.5
Sumpy 100 230V	PW/SUMPY100	/C	0.37		40	1½	9	210	12 x 5	5	6.5
Sumpy 150 110V	PW/SUMPY150-2	/D	0.68		50	2	10.5	260	10 x 5	5	6.8
Sumpy 150 230V	PW/SUMPY150	/D	0.68		50	2	10.5	260	10 x 5	5	6.8
Sumpy 30 Vortex 110V	PW/SUMPY30V-2	/E	0.2		32	1¼	5	160	40 x 15	5	5
Sumpy 30 Vortex 230V	PW/SUMPY30V	/E	0.2		32	1¼	5	160	40 x 15	5	5
Sumpy 75 Vortex 110V	PW/SUMPY75V-2	/F	0.37		40	1½	8	200	40 x 15	5	6
Sumpy 75 Vortex 230V	PW/SUMPY75V	/F	0.37		40	1½	8	200	40 x 15	5	6
Sumpy 150 Vortex 110V	PW/SUMPY150V-2	G	0.68		50	2	9.5	245	40 x 25	5	7
Sumpy 150 Vortex 230V	PW/SUMPY150V	G	0.68		50	2	9.5	245	40 x 25	5	7

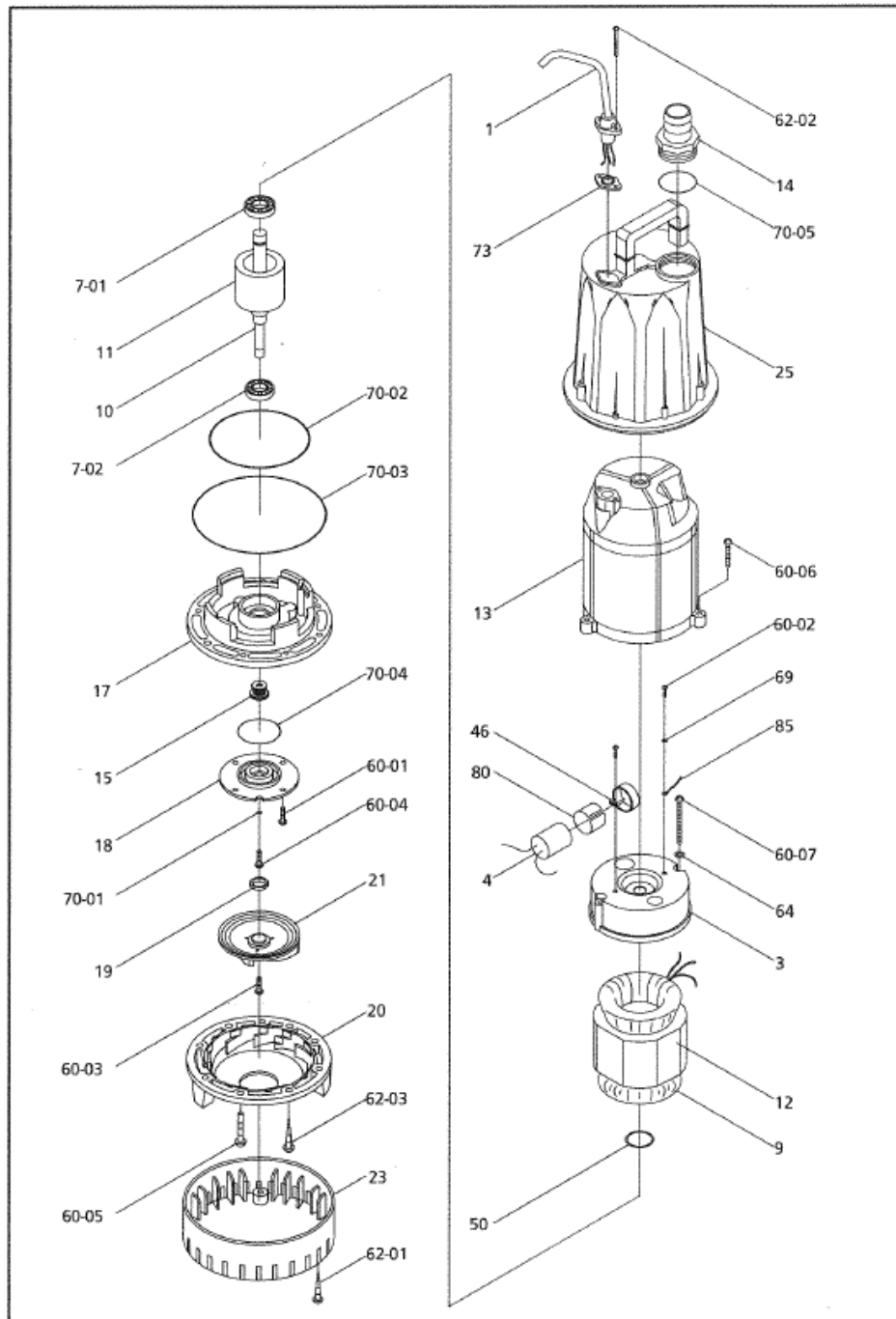
APPLICATIONS



PARTS AND MATERIAL LISTS

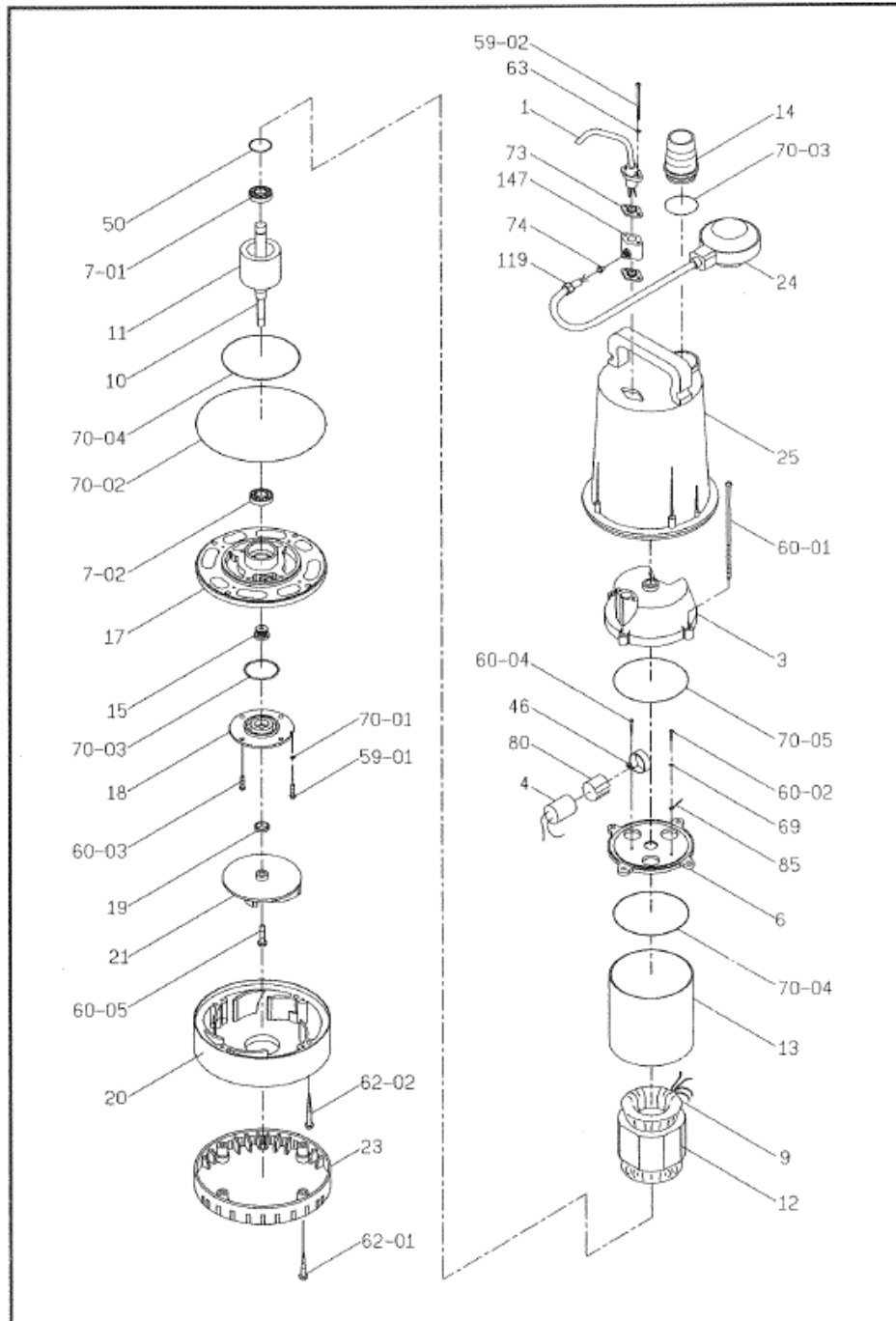
No.	PART	No.	PART	No.	PART	No.	PART
1	Cable	32	Shaft	64	Spring washer	120	Imperial hex socket
2	Handle	33	Pump Switch	67	Nut	121	Metric hex socket
3	Motor Head Cover	34	Switch cover	69	Washer	122	Coupling
4	Capacitor	35	Pressure switch	70	O Ring	123	Base
5	Centrifugal Switch	36-1	Pressure tank cover	71	Square ring	124	Cover
6	Upper bracket	36-2	Pressure tank cover	72	Outler rubber	125	Guide connector
7	Bearing	37	*Plastic membrane	73	Base rubber	126	Guide support
8	Bolt	39	Valve Cover	74	Outler rubber	127	Lower guide support
9	Coil	40	Spring	75	Shaft rubber	136	Motor
10	Shaft	41	Check valve	76	Capacitor rubber	137	Pressure tank set
11	Rotor	42	Strainer stand	77	Packing	138	Sleeve
12	Stator	43	Cable fixed base	78	Cable protection	143	Elbow
13	Motor Casing	44	Capacitor base	79	Plastic bracket	149	Outer cover
14	Hose Coupling	45	Capacitor cover	80	Insulation paper	151	Box
15	Mechanical Seal	46	Capacitor fixed	81	Tube	153	Sand proof trap
16	Flange Setter	47	Cable fixed	82	Fixed point	154	Thrust bearing
17	Motor Lower Cover	48	Spacer	83	Wires twister	159	Ceramic
18	Mechanical Seal Cover	49	Protector fixed	84	Wires ties	162	Pump shaft
19	Oil Seal	50	Waved washer	85	Ground wire	166	Fixed blade
20	Pump Casing	51	Bearing cover	86	Wire	170	Chain set
21	Impeller	52	Key	87	Wire	177	Eye nut
22	Suction Cover	53	Plug	88	Tube		
23	Strainer	54	Shackle	89	Paper insulation		
24	Float Switch	55	Terminal	90	Motor base		
25	Outer Casing	57	Imperial hex bolt	97	Chain		
26	Bracket of outer casing	58	Metric hex bolt	106	Washer		
27	Thermal protector	59	Bolt	107	Eye bolt		
28	Valve Coupling	60	Bolt	108	Nut		
29	Pump bracket	61	Bolt	109	Thermal Switch		
30	Cooling fan	62	Bolt	111	Grinder		
31	Fan cover	63	Washer	117	Bolt		

EXPLODED DIAGRAM OF SUMPY 30



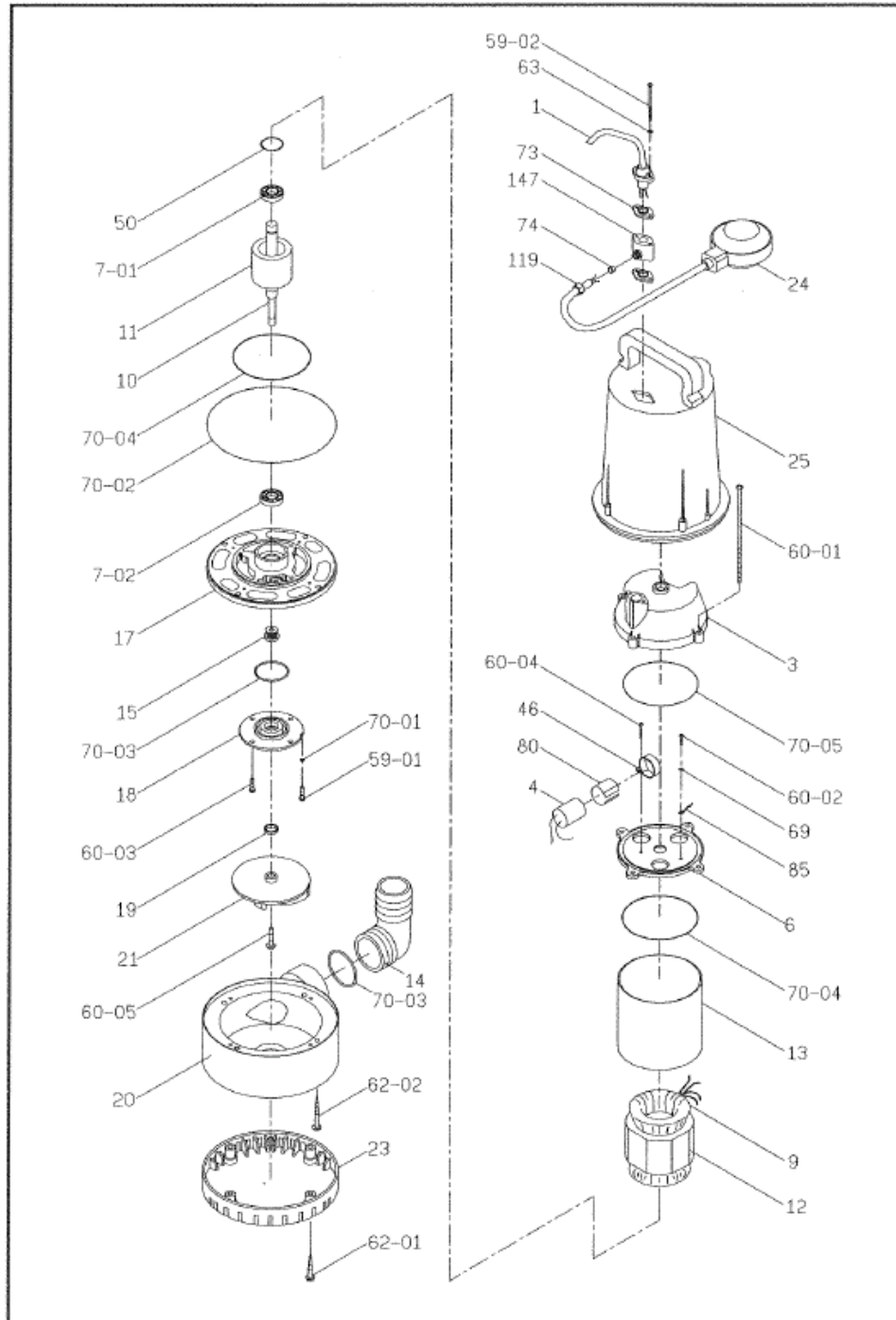
PARTS AND MATERIAL LISTS

EXPLODED DIAGRAM OF SUMPY 75/100&150

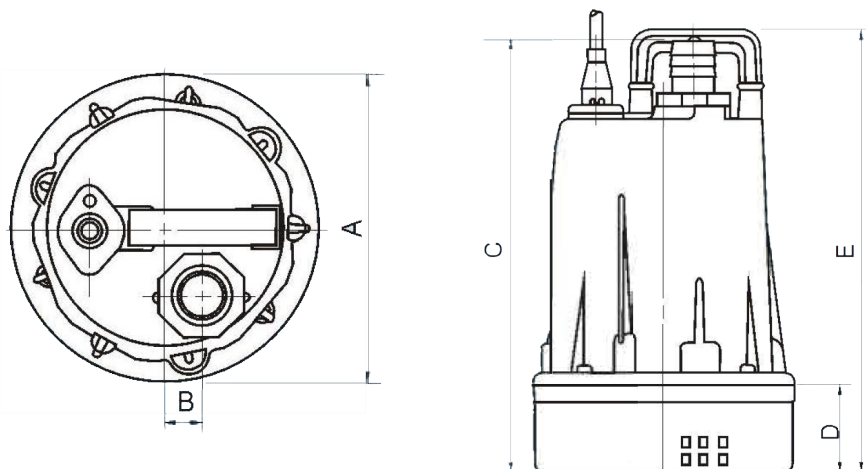


PARTS AND MATERIAL LISTS

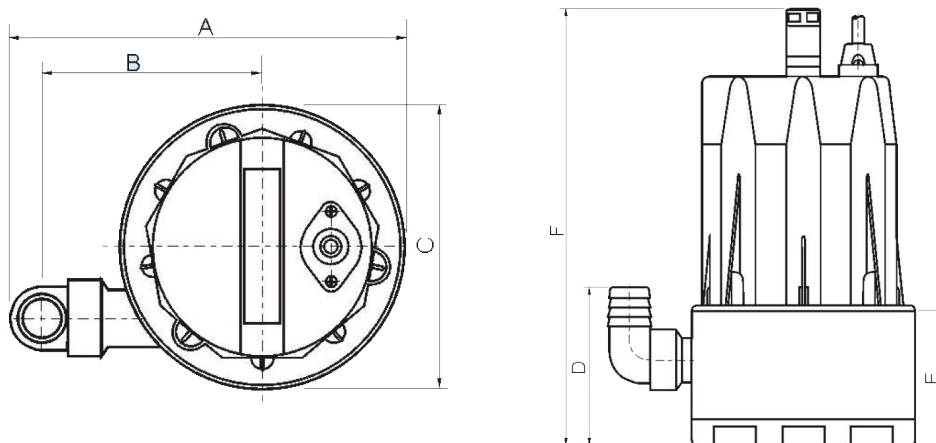
EXPLODED DIAGRAM OF SUMPY 30/75&150 VORTEX



DIMENSIONAL DRAWINGS



TYPE	A	B	C	D	E
	mm	mm	mm	mm	mm
Sumpy 30 110V	144	33	240	50	245
Sumpy 30 230V	144	33	240	50	245
Sumpy 75 110V	159	43	291	58	273
Sumpy 75 230V	159	43	291	58	273
Sumpy 100 110V	159	43	325	86	300
Sumpy 100 230V	159	43	325	86	300
Sumpy 150 110V	159	43	348	108	320
Sumpy 150 230V	159	43	348	108	320



TYPE	A	B	C	D	E	F
	mm	mm	mm	mm	mm	mm
Sumpy 30 Vortex 110V	222	129	159	115	79	293
Sumpy 30 Vortex 230V	222	129	159	115	79	293
Sumpy 75 Vortex 110V	228	129	159	117	106	320
Sumpy 75 Vortex 230V	228	129	159	117	106	320
Sumpy 150 Vortex 110V	241	129	159	137	125	339
Sumpy 150 Vortex 230V	241	129	159	137	125	339