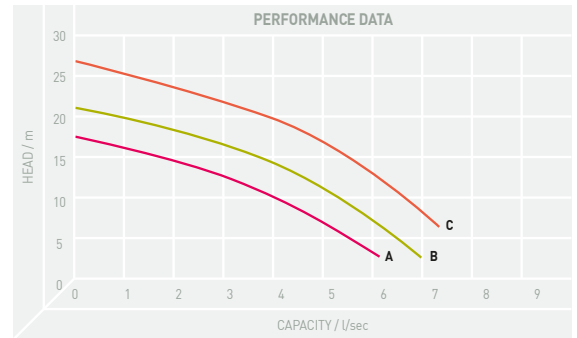


Designed for domestic and professional use, the AP Blue Pro range of submersible pumps with high-head cast iron impeller, is ideal for clean water, rainwater and seepage water for sandy / muddy water containing small particles, no larger than 7mm in suspension.

Features:

- Cast iron construction and impeller
- Double mechanical seal within oil bath
- 7mm solids handling
- 0.74 - 1.5kW output
- 40mm horizontal discharge
- Automatic as standard, floats removed on request
- Auto-coupling available on request



TECHNICAL SPECIFICATION

PUMP TYPE	PRODUCT CODE	CURVE	OUTLET "/mm	FREE PASSAGE mm	CABLE LENGTH m	kW	WEIGHT kg
AP BLUE PRO 100/2/G40H 230V/1Ph	PZ/1110.002	/A	1½"/40mm	6	10	0.74	19
AP BLUE PRO 100/2/G40H 400V/3Ph	PZ/1111.001	/A	1½"/40mm	6	10	0.74	19
AP BLUE PRO 150/2/G40H 230V/1Ph	PZ/1112.002	/B	1½"/40mm	6	10	1.1	24
AP BLUE PRO 150/2/G40H 400V/3Ph	PZ/1113.001	/B	1½"/40mm	6	10	1.1	24
AP BLUE PRO 200/2/G40H 230V/1Ph	PZ/1114.002	/C	1½"/40mm	6	10	1.5	25
AP BLUE PRO 200/2/G40H 400V/3Ph	PZ/1115.001	/C	1½"/40mm	6	10	1.5	25

Max. ambient temperature	40°C
Max. density treated liquid	1100 kg/m³
Max. immersion depth	20 m
pH treated liquid	6 ÷ 14
Max. start per hour (equally distributed)	30
Wet/dry use	WET
Max. acoustic pressure level	70dB
Operating mode	S1-Continuous use

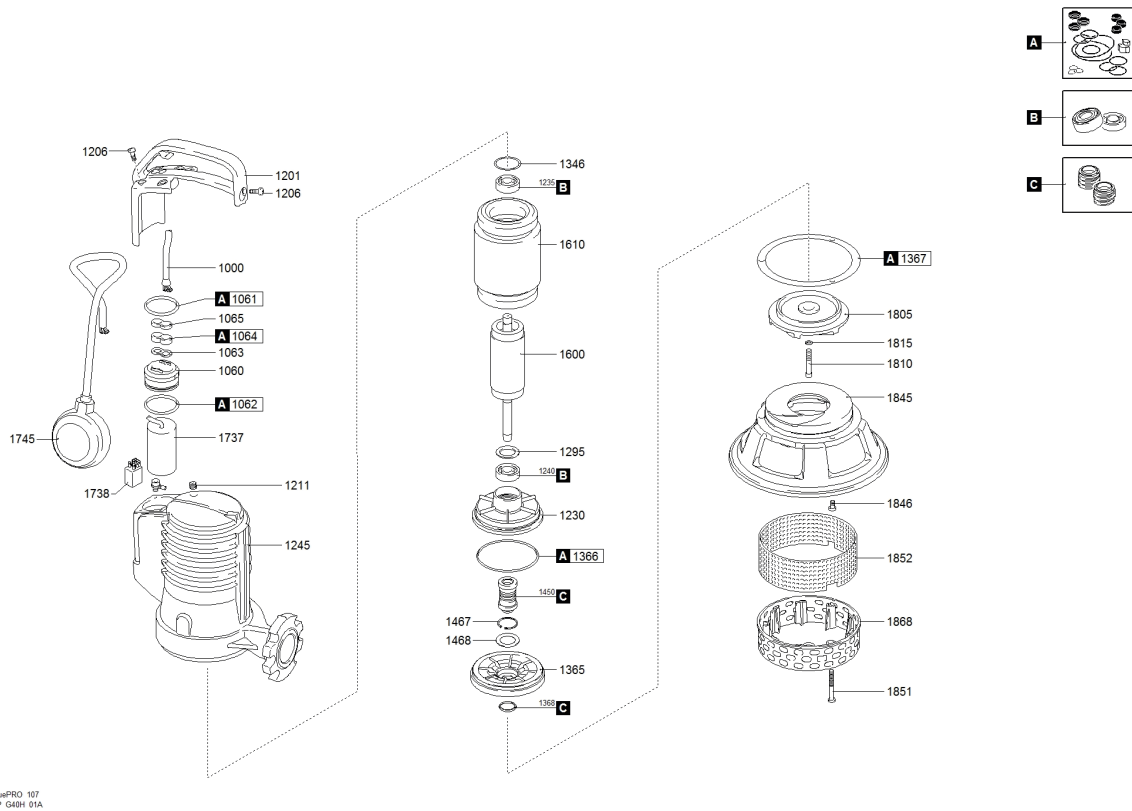
PARTS AND MATERIAL LISTS

ITEM	DESCRIPTION	QTY	ITEM	DESCRIPTION	QTY
A	GASKETS KIT	1	1240	LOWER BEARING	1
B	MECHANICAL SEALS KIT	1	1245	MOTOR CASE	1
C	BEARINGS KIT	1	1295	UPPER DISTANCE RING (LOWER BEARING)	1
1000	POWER CABLE	1	1346	WAVE SPRING	1
1060	HOLDER [CABLE GLAND]	1	1365	MECHANICAL SEAL FLANGE	1
1061	UPPER GASKET - HOLDER [CABLE GLAND]	1	1366	GASKET [LOWER BEARING HOLDER >> MECHANICAL SEAL FLANGE]	1
1062	LOWER GASKET - HOLDER [CABLE GLAND]	1	1367	GASKET [MECHANICAL SEAL FLANGE >> BASE]	5
1063	CABLE STOP	1	1368	V-RING [MECHANICAL SEAL FLANGE]	1
1064	RUBBER GASKET	1	1450	MECHANICAL SEAL	1
1065	CABLE GLAND	1	1600	SHAFT WITH ROTOR	1
1201	CABLE GLAND (HANDLE)	1	1610	WOUND STATOR	1
1206	SCREW [CABLE GLAND HANDLE >> COVER]	5	1737	CAPACITOR	1
1211	CAP [TIGHTNESS TEST]	1			
1230	LOWER BEARING HOLDER	1			
1235	UPPER BEARING	1			

ITEM	DESCRIPTION	QTY
1745	FLOAT SWITCH	1
1805	IMPELLER	1
1810	LOCKING IMPELLER	1
1845	BASE	1
1846	SCREW [BASE >> MOTOR CASE]	3
1851	SCREW [STRAINER >> SUCTION FLANGE]	3
1868	CLOSED STRAINER	1

PARTS DRAWING

1110.002 - APBLUEP 100/2/G40H A1CM5 NGTGB51H23N00NN



DIMENSIONAL DRAWING

