



water solutions

Data sheet

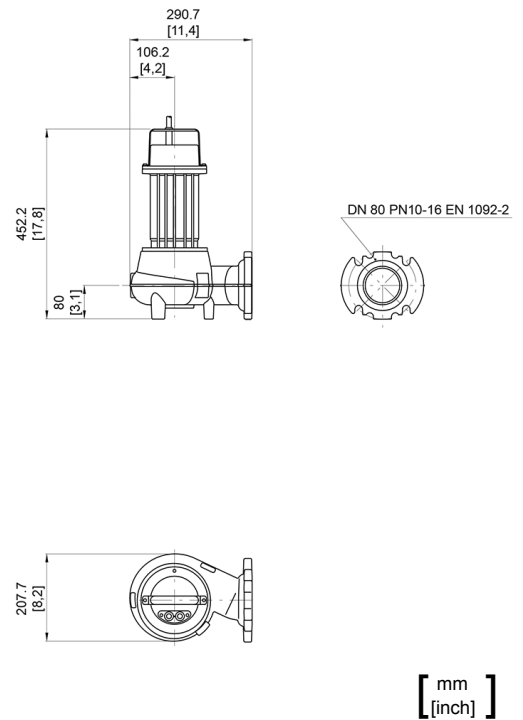
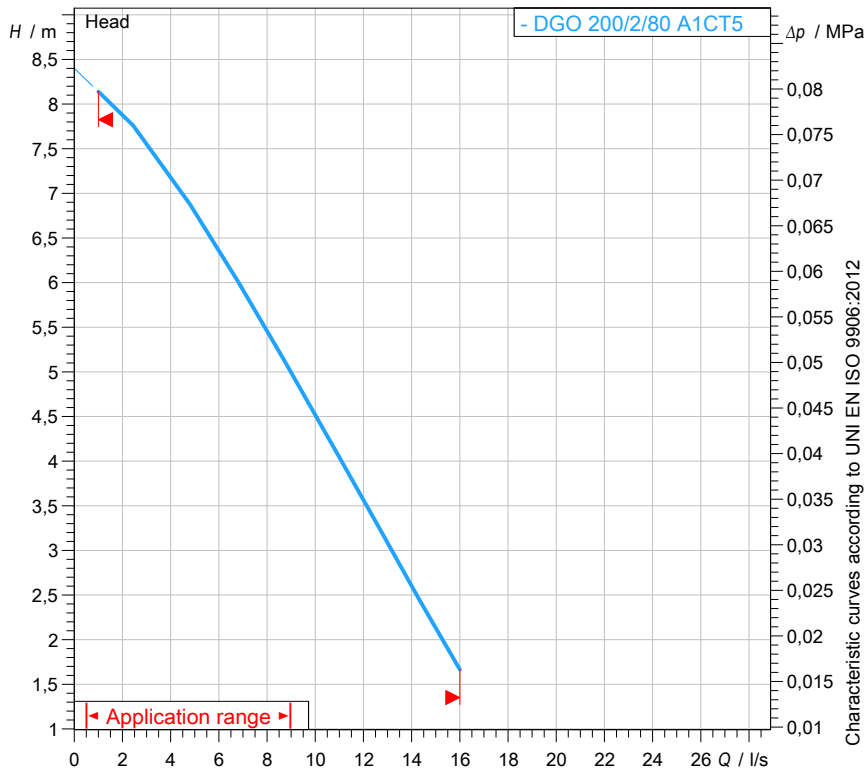
DGO 200/2/80 A1CT5

O

series

Technical specification

3~ 50 Hz



Pump

Series	O series
Pump name	DGO 200/2/80 A1CT5
Configuration	NGNAB40540N00NN
Standard	EN 809:2009

Motor data

Rated voltage	400 V
Frequency	50 Hz
Motor phases	3~
Number of poles	2
Rated power P2	1,70 kW
Incoming power P1	2,30 kW
Rated current	3,9 A
rpm	2700 1/min
Efficiency	71,6 %
cos ϕ	0,83
Rated torque	5,3 Nm
Start	Direct starting
Degree of protection	IP 68
Insulation class	F

Hydraulic

Type	DG (Set-back Vortex)
Free passage	80 mm
Impeller type	Vortex impeller
Discharge	DN 80 EN 1092-2
Curve tolerance	UNI EN ISO 9906:2012

Operating limits (standard pumps)

Max. ambient temperature	40 °C
Max. density treated liquid	1100 kg/m ³
Max. immersion depth	20 m
pH treated liquid	6 ÷ 14
Max. start per hour (equally distributed)	30
Wet/dry use	WET
Max. acoustic pressure level	70 dB
Operating mode	S1 - Continuous use

Construction materials

Case	Cast iron EN-GJL 250
Shaft	Stainless steel - AISI 420
Hydraulic	Cast iron EN-GJL 250
Impeller	Cast iron EN-GJL 250
Painting/Coating	Bi-epoxy 80 μ m
Screws	Stainless steel - Class A2-70
Gaskets	NBR

Construction features

Cooling system	No cooling jacket
Main cable	4G1
Control cable	-
Cable length	5 mt
Mechanical seals	1 in silicon carbide (SiC) and 1 in alumina graphite (AL)
Additional drilling	-
Weight*	23 kg
Electrical variant	No electrical device equipped

* cable's weight not included

Rev. 0 - 16-12-2014

All data shown are not binding. Zenit reserves the right to change data and dimensions without notice.

Created on 2017-05-08

zenit.com

Page 1 / 3



water solutions

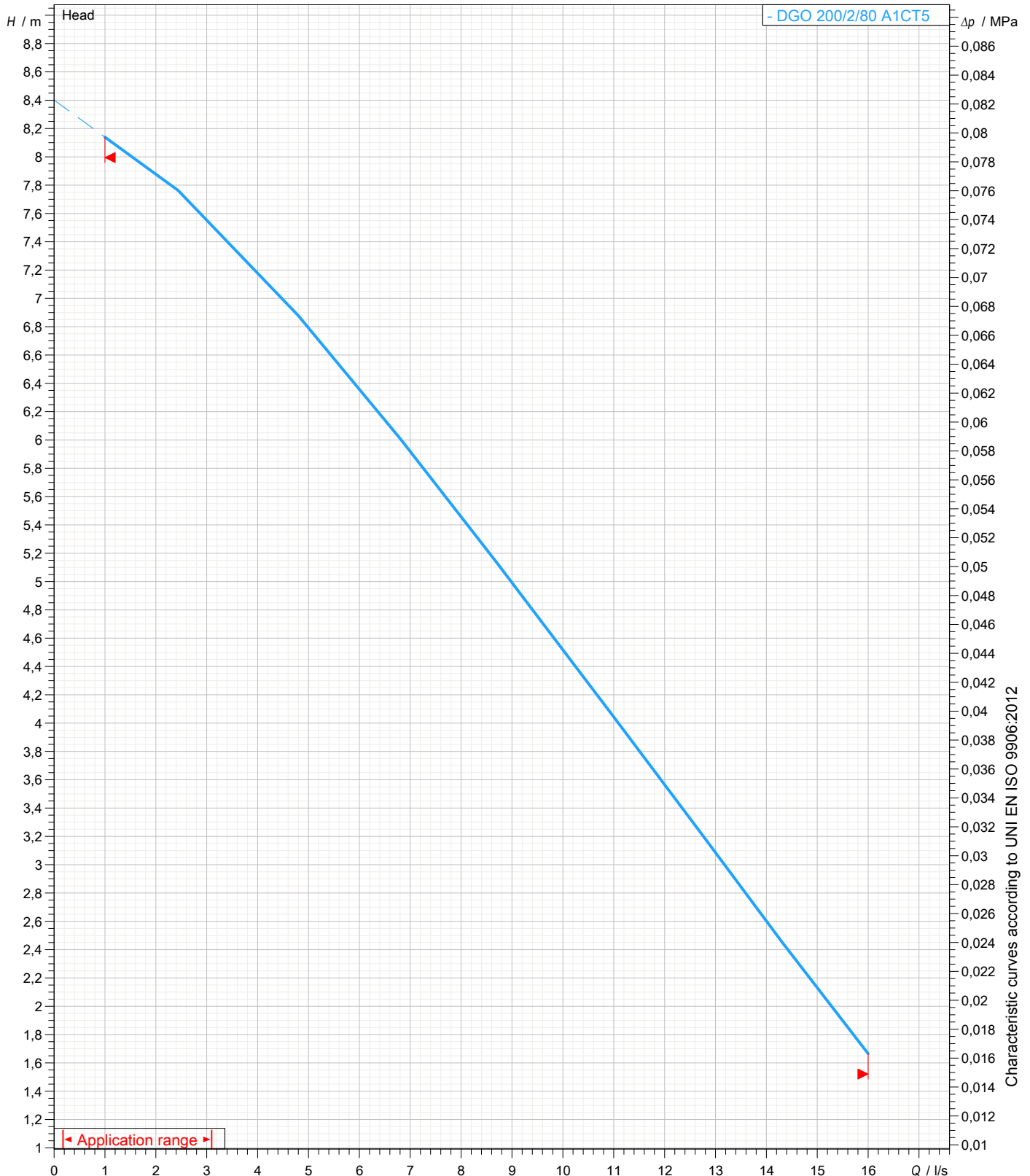
Data sheet DGO 200/2/80 A1CT5



Pump performance curves

3~ 50 Hz

Hydraulic type DG (Set-back Vortex)	Impeller type Vortex impeller	Free passage 80 mm	Discharge DN 80	Suction -	
DUTY POINT					
Flow	Head	Shaft power P2	Hydraulic efficiency	Density 998,3 kg/m ³	Viscosity 1,005 mm ² /s





water solutions

Data sheet DGO 200/2/80 A1CT5



Dimensional drawing

3~ 50 Hz

Installation type Installation with bottom coupling device - Vertical outlet

WET/DRY use: WET

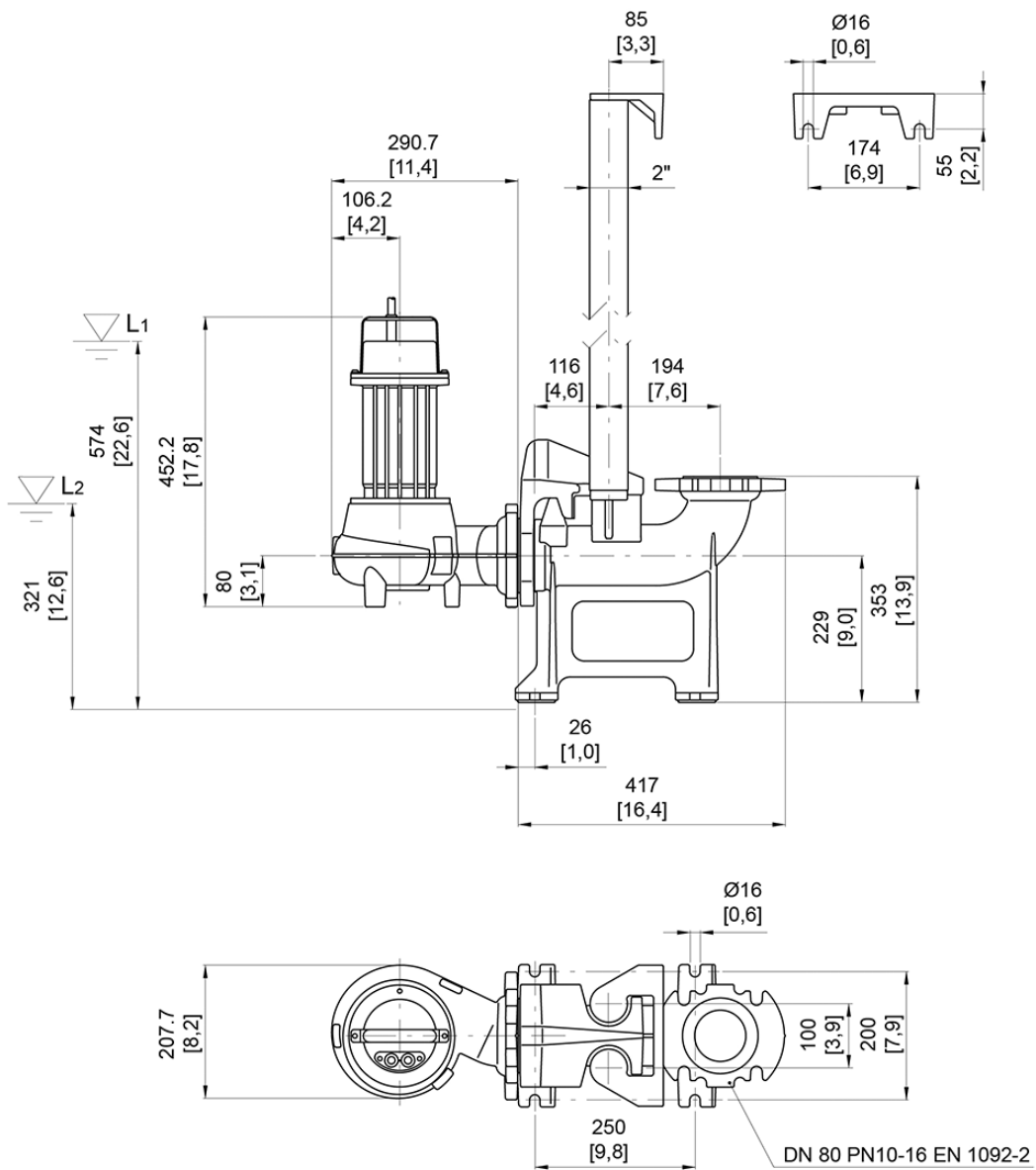
Accessory * : DAC 80/80V+KAF 116-2" EN (P)

Discharge: DN 80 EN 1092-2

Accessory code * : 9001.032

Pressure rating (suction/discharge): PN 10

* Accessory must be ordered separately



L1: Minimum operating level for continuous use
L2: Minimum operating level for discontinuous use

[mm]
[inch]