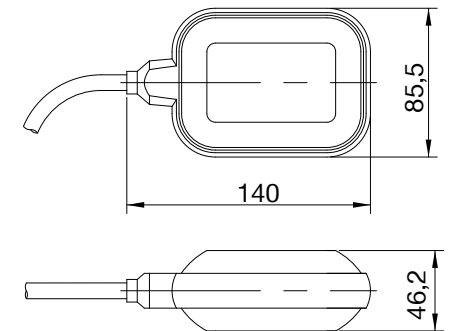
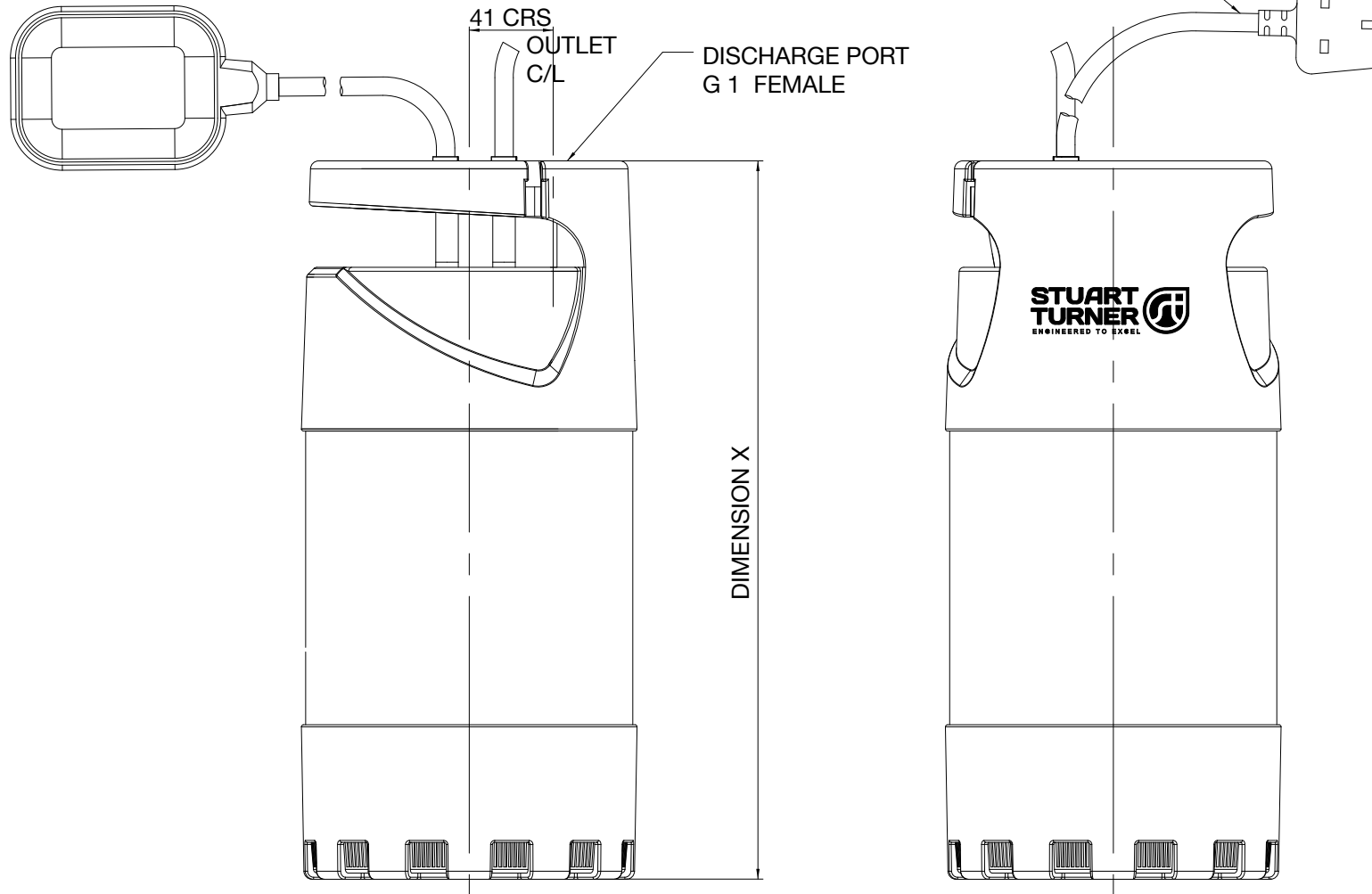


stuart

Submersible Pumps Diver 35, Diver 45

15 METRES OF CABLE C/W
THREE PIN PLUG TO B.S 1363-1



Pump Description	Dim. 'X'
Diver 35	350 mm
Diver 45	387 mm

Dimensions in millimetres

For further advice on selecting the correct pump call
or e-mail info@stpumps.co.uk

Issue 3315/1

Stuart Turner Ltd own the copyright within this document. The document may be printed for personal use only. The document must not be altered, reproduced or utilised in any way without written permission from Stuart Turner Ltd, Henley-on-Thames, Oxfordshire, RG9 2AD, England.

Stuart Turner Ltd reserve the right to amend the document or product specifications in line with it's policy of continuous development.

pumpassist
HELPLINE +44 (0) 800 31 969 80