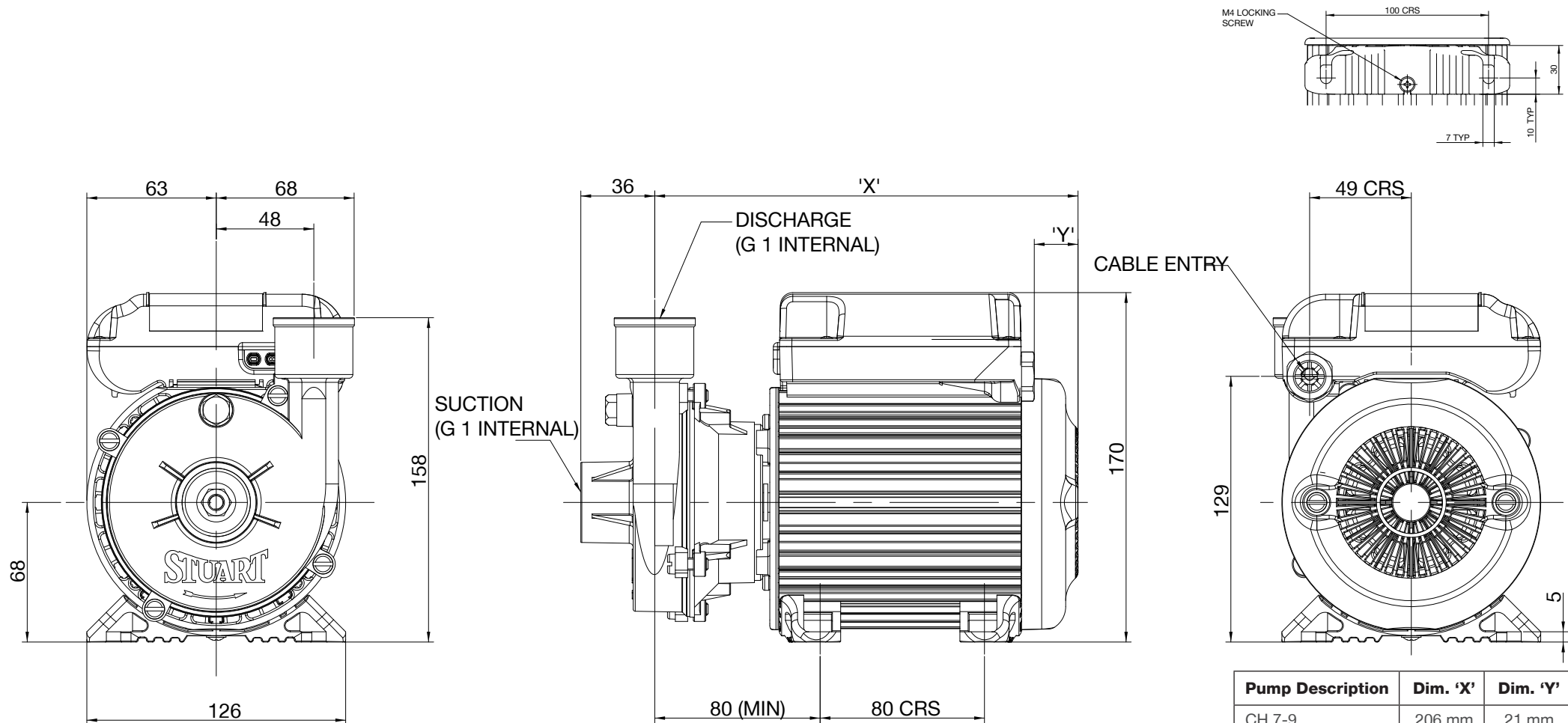


**stuart**

**CH Single Stage**

CH 7-9, CH 9-9, CH 12-14



Pump Description	Dim. 'X'	Dim. 'Y'
CH 7-9	206 mm	21 mm
CH 9-9	206 mm	21 mm
CH 12-14	241 mm	56 mm

Dimensions in millimetres

For further advice on selecting the correct pump call  
or e-mail [info@stpumps.co.uk](mailto:info@stpumps.co.uk)

Issue 3817/1

Stuart Turner Ltd own the copyright within this document. The document may be printed for personal use only. The document must not be altered, reproduced or utilised in any way without written permission from Stuart Turner Ltd, Henley-on-Thames, Oxfordshire, RG9 2AD, England.

Stuart Turner Ltd reserve the right to amend the document or product specifications in line with it's policy of continuous development.

**pumpassist**  
HELPLINE +44 (0) 800 31 969 80