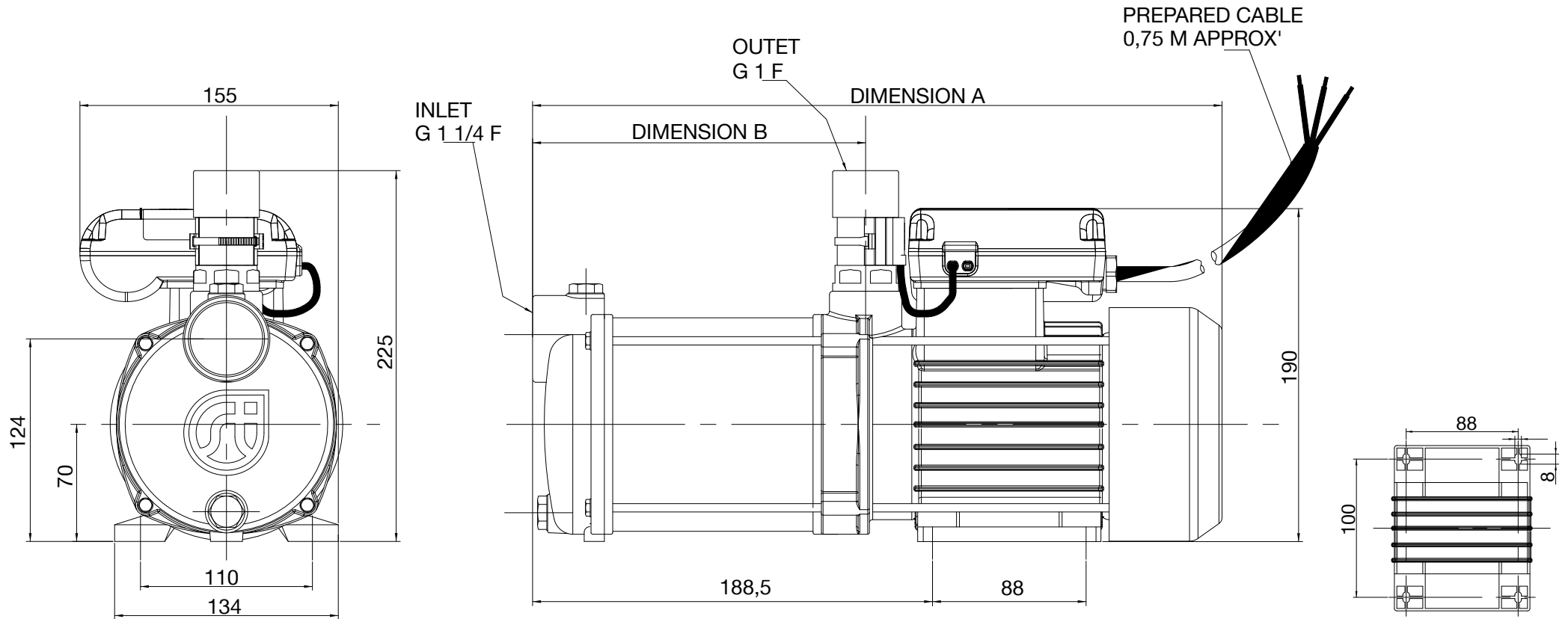


stuart

CH Automatic Flow Switch Pumps CH 4-30 FL, CH 4-40 FL

Pump Description	Dim. 'A'	Dim. 'B'
CH 4-30 FL	360 mm	146 mm
CH 4-40 FL	384 mm	170 mm



Dimensions in millimetres

For further advice on selecting the correct pump call
or e-mail info@stpumps.co.uk

Issue 2616/2

Stuart Turner Ltd own the copyright within this document. The document may be printed for personal use only. The document must not be altered, reproduced or utilised in any way without written permission from Stuart Turner Ltd, Henley-on-Thames, Oxfordshire, RG9 2AD, England.

Stuart Turner Ltd reserve the right to amend the document or product specifications in line with it's policy of continuous development.

pumpassist
HELPLINE +44 (0) 800 31 969 80