

Customer	Date	10/18/2019
Contact	Project	
Phone number	Project no.	
Email		

## RESIBOOST MMW09UK/5HM05P09

1005602013U

### Operating data

Pump type	Single head pump	Fluid	Water, pure
No. of pumps / Reserve	1 / 0	Operating temperature t A	°C 4
Nominal flow	m <sup>3</sup> /h 0	pH-value at t A	7
Nominal head	m 0	Density at t A	kg/m <sup>3</sup> 1000
Static head	m 0	Kin. viscosity at t A	mm <sup>2</sup> /s 1.569
Inlet pressure	kPa 0	Vapor pressure at t A	kPa 100
Environmental temperature	°C 20	Solids	0
Available system NPSH	m 0	Altitude	m 0

### Pump data

Make	Lowara	Nominal	m <sup>3</sup> /h ( )
Speed	rpm 2900	Flow Max-	m <sup>3</sup> /h 7.2
Number of stages	5	Min-	m <sup>3</sup> /h
Max. casing pressure	kPa	Nominal	m
Max. working pressure	kPa 582.8	Head at Qmax	m 16
Head H(Q=0)	m 59	at Qmin	m 59.4
Weight	kg On demand	Shaft power	kW ( )
Max.	mm 73	Max. shaft power	kW .9
Impeller R designed	mm 73	Efficiency	%
Min.	mm 73	NPSH 3%	m

### Pump Materials

ADAPTER	Aluminium
Bolts and screws	Stainless steel
Diffuser	Stainless steel
Fill / drain plugs	Nickel-plated brass
Impeller	Technopolymer Noryl
Pump body	Stainless steel
SEAL HOUSING	Stainless steel
Shaft	Stainless steel
Wear Ring	Technopolymer

### Shaft Seal

Single seal	Roten
e-HM - uniten	
Rotating Assembly	V-Ceramic
Fixed Assembly	B-Resin impregnated carbon
Elastomers	E - EPDM
Springs	G-AISI 316
Other Components	G-AISI 316

### Motor data

Manufacturer	Lowara	Electric voltage	230 V	Speed	2740 rpm	Insulation class	F
Specific design	Single phase motor - e-HM			Frame size	56	Colour	RAL 5010
Type	SM71HM../1095						
Rated power	0.95 kW	Degree of protection	IP 55				
Electric current	6.25 A						

### Remarks:

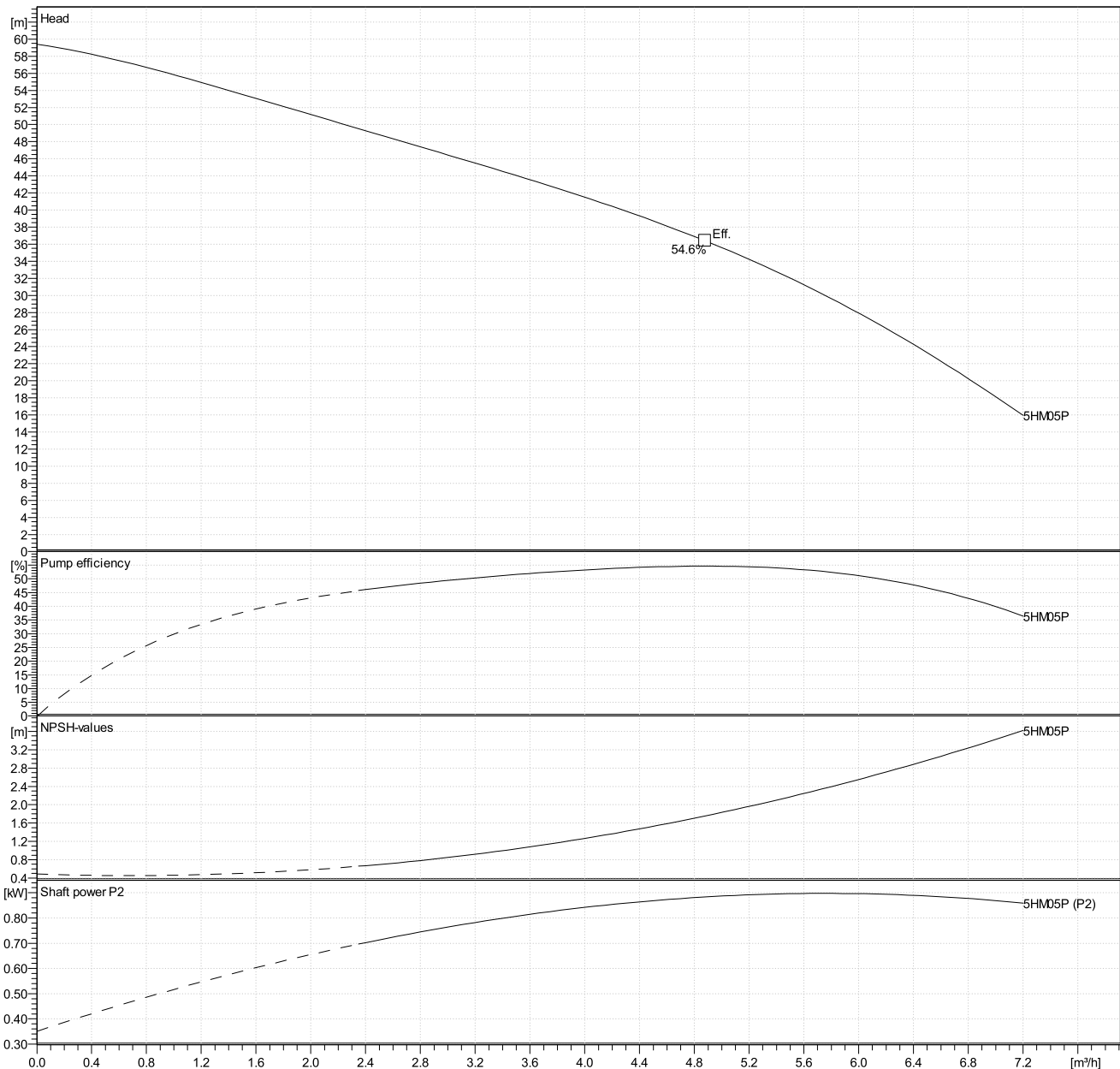
Customer	Date	10/18/2019
Contact	Project	
Phone number	Project no.	
Email		

## RESIBOOST MMW09UK/5HM05P09 1005602013U

### Hydraulic data

Operating Data Specification		Hydraulic data (duty point)		Impeller design	
Flow	0 m <sup>3</sup> /h	Flow		Impeller R	73 mm
Head	0 m	Head		Frequency	50 Hz
Static head	0 m			Speed	2900 rpm

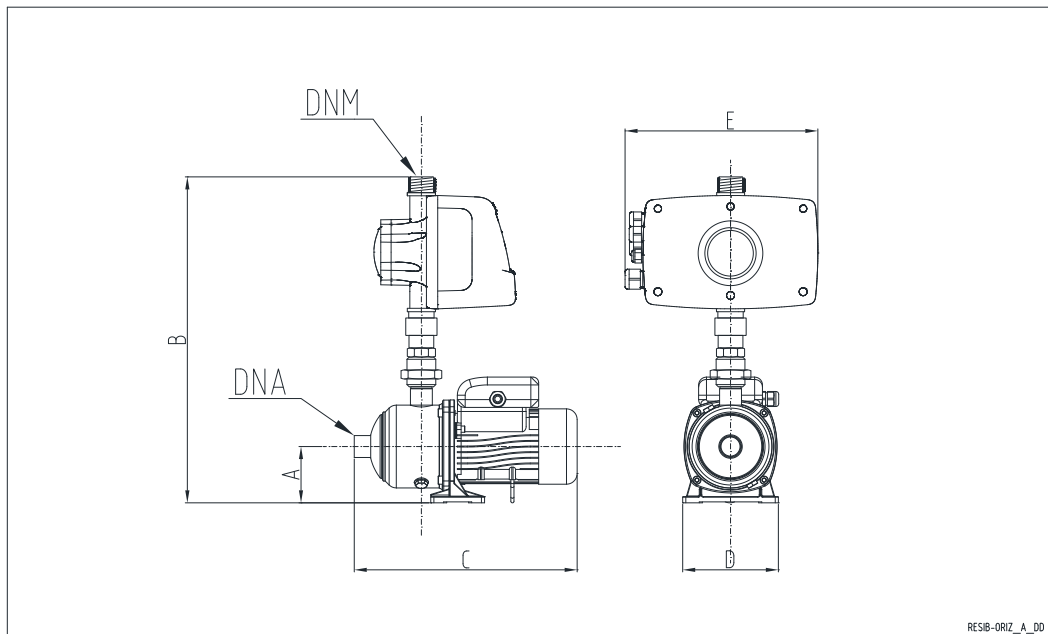
**Power datas referred to:**  
**Water, pure [100%] ; 4°C; 1000kg/m<sup>3</sup>; 1.57mm<sup>2</sup>/s**  
 Performance according to ISO 9906:2012 – Grade 3B



Customer	Date	10/18/2019
Contact	Project	
Phone number	Project no.	
Email		

**RESIBOOST MMW09UK/5HM05P09**  
1005602013U

**Drawing**



RESIB-GRIZ\_A\_DD

**Dimensions mm**

A	90					Weight On demand kg
B	490					
C	392					
D	149					
DNA	Rp1"1/4					
DNM	R1"1/4					
E	262					