


Position	Count	Description																		
	1	<p><b>MAGNA1 25-60</b></p>  <p>Product No.: <a href="#">97924154</a></p> <p>MAGNA1 circulator pump with easy selection of pump setting The pump is of the canned-rotor type, i.e. pump and motor form an integral unit without shaft seal and with only two gaskets for sealing. The bearings are lubricated by the pumped liquid. In order to avoid problems in connection with disposal, great importance has been attached to using as few different materials as possible. A pump with no maintenance requirements and extremely low life cycle cost.</p> <p>Heating systems</p> <ul style="list-style-type: none"> <li>• Main pump</li> <li>• mixing loops</li> <li>• heating surfaces</li> <li>• air-conditioning surfaces.</li> </ul> <p>The MAGNA1 circulator pumps are designed for circulating liquids in heating systems with variable flows where it is desirable to optimize the setting of the pump duty point, thus reducing energy costs. The pumps are also suitable for domestic hot-water systems.</p> <p>To ensure correct operation, it is important that the sizing range of the system falls within the duty range of the pump.</p> <p>The pump is also suitable for systems with hot-water priority as an external signal can immediately force the pump to operate according to the max. curve, for example in solar-heating systems.</p> <p>Benefits</p> <ul style="list-style-type: none"> <li>• Safe selection.</li> <li>• Simple installation.</li> <li>• Low energy consumption. All MAGNA1 pumps comply with the EuP requirements.</li> <li>• Nine light fields for indication of pump setting. Three proportional-pressure curves, three constant-pressure curves and three fixed-speed curves are available.</li> <li>• Low noise level.</li> <li>• No maintenance and long life.</li> </ul> <p><b>Liquid:</b></p> <table> <tr> <td>Pumped liquid:</td> <td>Water</td> </tr> <tr> <td>Liquid temperature range:</td> <td>14 .. 230 °F</td> </tr> <tr> <td>Liquid temp:</td> <td>140 °F</td> </tr> <tr> <td>Density:</td> <td>61.35 lb/ft<sup>3</sup></td> </tr> </table> <p><b>Technical:</b></p> <table> <tr> <td>TF class:</td> <td>110</td> </tr> <tr> <td>Approvals on nameplate:</td> <td>CE,VDE,EAC</td> </tr> </table> <p><b>Materials:</b></p> <table> <tr> <td>Pump housing:</td> <td>Cast iron</td> </tr> <tr> <td></td> <td>EN-GJL-200</td> </tr> <tr> <td></td> <td>ASTM A48-200B</td> </tr> </table>	Pumped liquid:	Water	Liquid temperature range:	14 .. 230 °F	Liquid temp:	140 °F	Density:	61.35 lb/ft <sup>3</sup>	TF class:	110	Approvals on nameplate:	CE,VDE,EAC	Pump housing:	Cast iron		EN-GJL-200		ASTM A48-200B
Pumped liquid:	Water																			
Liquid temperature range:	14 .. 230 °F																			
Liquid temp:	140 °F																			
Density:	61.35 lb/ft <sup>3</sup>																			
TF class:	110																			
Approvals on nameplate:	CE,VDE,EAC																			
Pump housing:	Cast iron																			
	EN-GJL-200																			
	ASTM A48-200B																			



Company name:

Created by:

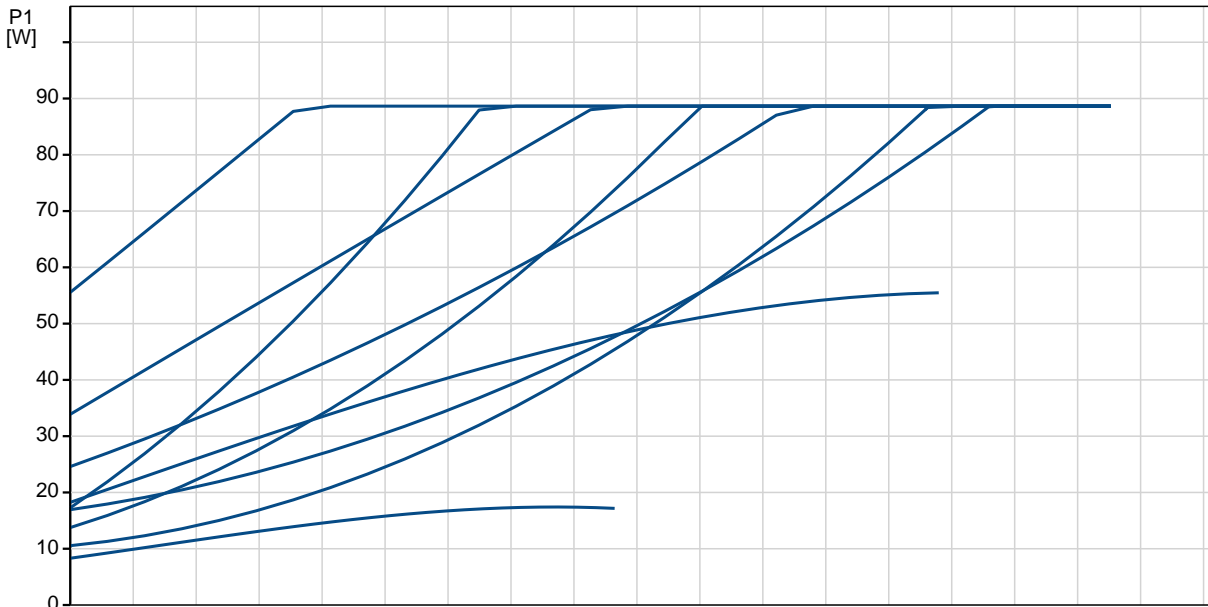
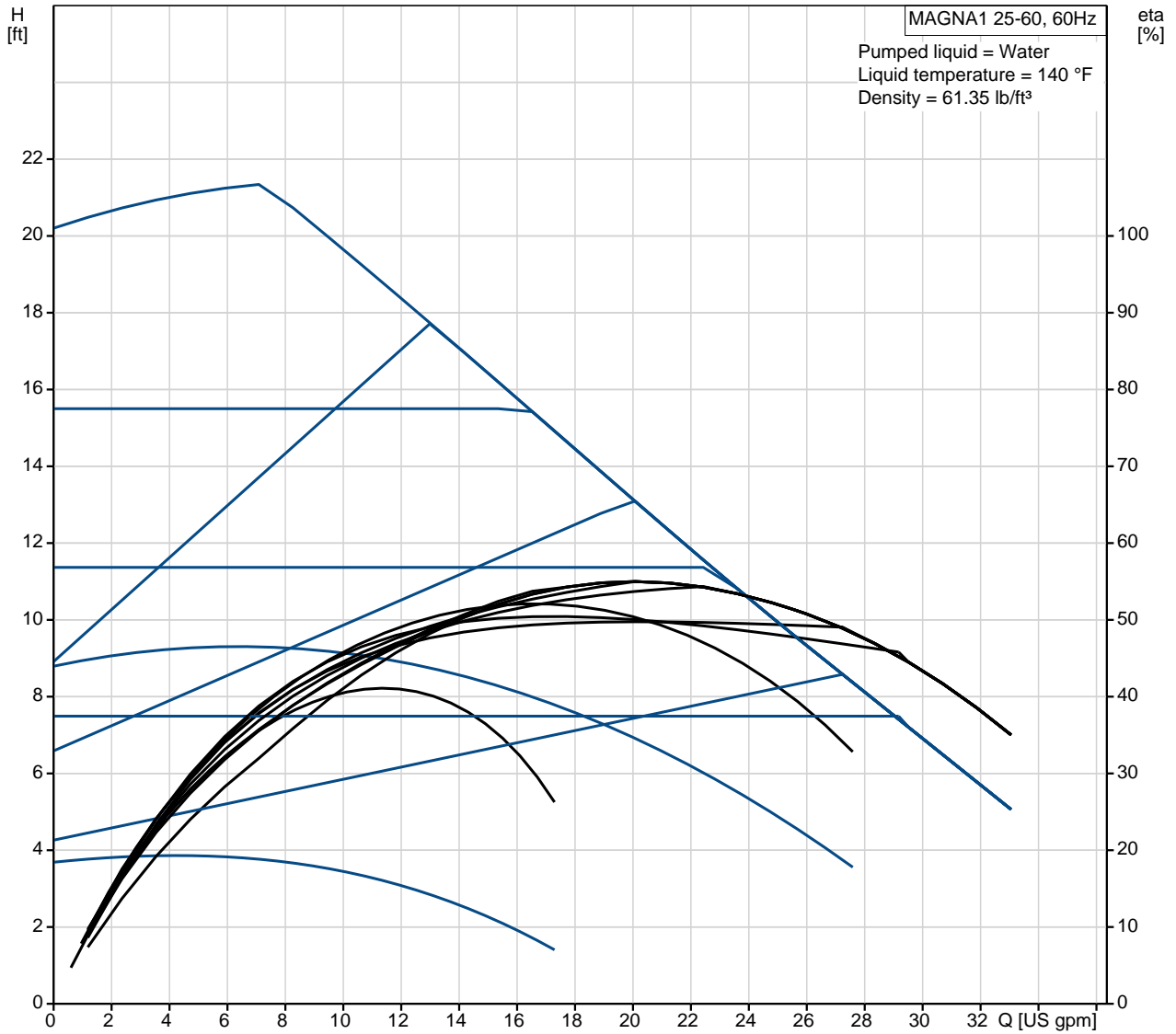
Phone:

Date:

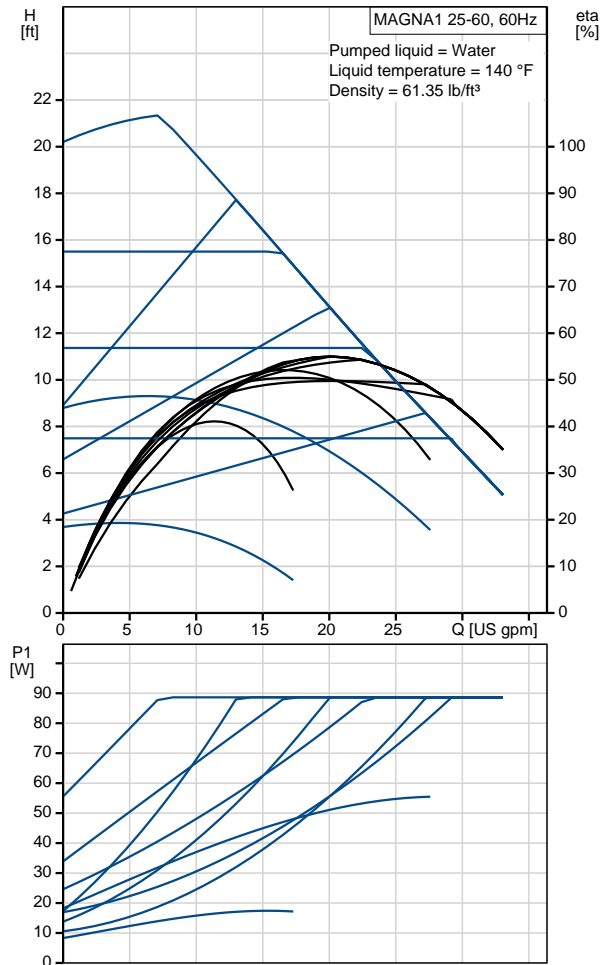
1/4/2017

Position	Count	Description
		Impeller: PES 30%GF
		<b>Installation:</b>
		Range of ambient temperature: 32 .. 104 °F
		Maximum operating pressure: 145 psi
		Pipe connection: G 1 1/2"
		Pressure stage: PN10
		Port-to-port length: 7 1/8 in
		<b>Electrical data:</b>
		Power input - P1: 9 .. 92 W
		Main frequency: 60 Hz
		Rated voltage: 1 x 230 V
		Maximum current consumption: 0.09 .. 0.74 A
		Enclosure class (IEC 34-5): X4D
		Insulation class (IEC 85): F
		<b>Others:</b>
		Label: Grundfos Blueflux
		Energy (EEI): 0.22
		Net weight: 9.65 lb
		Gross weight: 10.5 lb
		Shipping volume: 421 ft <sup>3</sup>

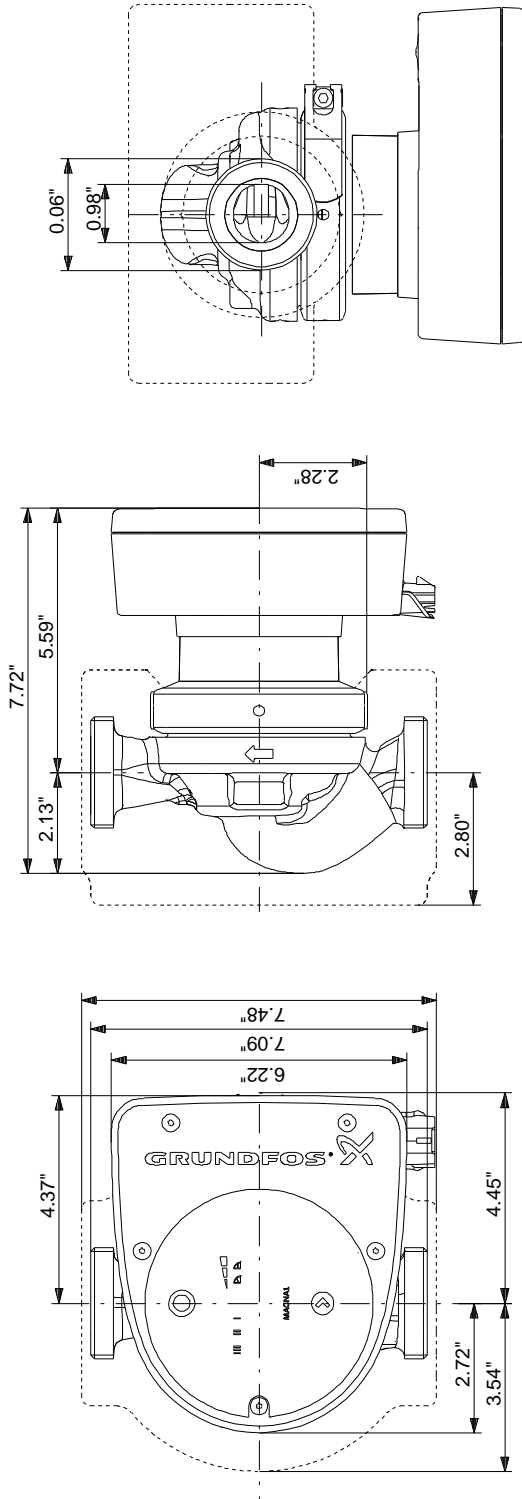
## 97924154 MAGNA1 25-60 60 Hz



Description	Value
<b>General information:</b>	
Product name:	MAGNA1 25-60
Product No.:	97924154
EAN:	5710626492220
Price:	On request
<b>Technical:</b>	
Head max:	19.69 ft
TF class:	110
Approvals on nameplate:	CE,VDE,EAC
Model:	A
<b>Materials:</b>	
Pump housing:	Cast iron EN-GJL-200 ASTM A48-200B
Impeller:	PES 30%GF
<b>Installation:</b>	
Range of ambient temperature:	32 .. 104 °F
Maximum operating pressure:	145 psi
Pipe connection:	G 1 1/2"
Pressure stage:	PN10
Port-to-port length:	7 1/8 in
<b>Liquid:</b>	
Pumped liquid:	Water
Liquid temperature range:	14 .. 230 °F
Liquid temp:	140 °F
Density:	61.35 lb/ft³
<b>Electrical data:</b>	
Power input - P1:	9 .. 92 W
Main frequency:	60 Hz
Rated voltage:	1 x 230 V
Maximum current consumption:	0.09 .. 0.74 A
Enclosure class (IEC 34-5):	X4D
Insulation class (IEC 85):	F
<b>Others:</b>	
Label:	Grundfos Blueflux
Energy (EEI):	0.22
Net weight:	9.65 lb
Gross weight:	10.5 lb
Shipping volume:	421 ft³



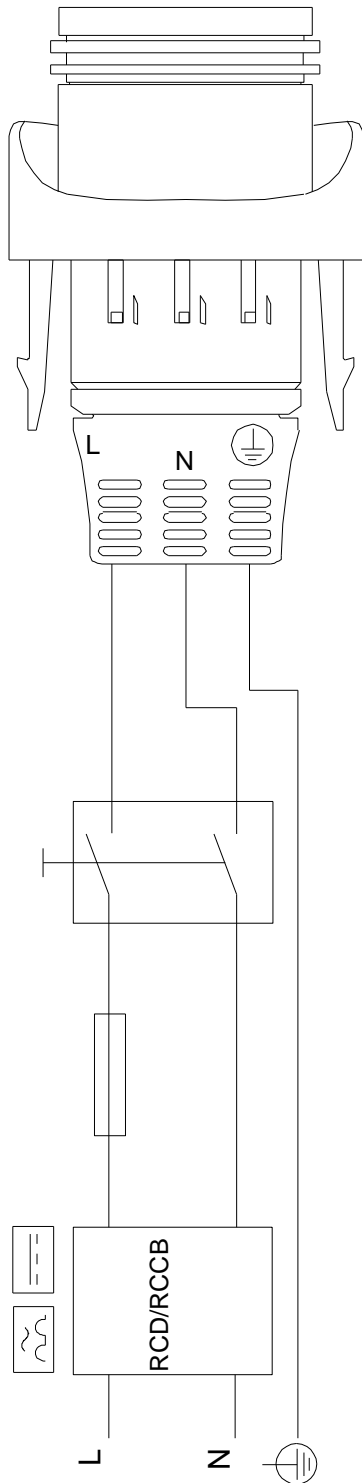
## 97924154 MAGNA1 25-60 60 Hz



Note! All units are in [mm] unless otherwise stated.  
 Disclaimer: This simplified dimensional drawing does not show all details.

## 97924154 MAGNA1 25-60 60 Hz

Example of plug-connected motor  
with mains switch, backup fuse and additional protection



All units are [mm] unless otherwise presented.