

## Data sheet: VeroLine-IP-E 40/115-0,55/2-R1

### Hydraulic data

Minimum efficiency index (MEI)	0.4
Maximum operating pressure $p$	10 bar
Min. fluid temperature $T_{\min}$	-20 °C
Max. fluid temperature $T_{\max}$	120 °C
Min. ambient temperature $T_{\min}$	0 °C
Max. ambient temperature $T_{\max}$	40 °C

### Materials

Pump housing	EN-GJL-250
Impeller	PPE/PS-GF30
Shaft	1.4021
Shaft seal	AQ1EGG
Lantern	EN-GJL-250

### Installation dimensions

Port-to-port length $L_0$	250 mm
Pipe connection on the suction side $DN_s$	DN 40
Pipe connection on the pressure side $DN_d$	DN 40

### Motor data

Mains connection	3~440 V, 50 Hz
Motor efficiency class	IE4
Rated power $P_2$	0.55 kW
Rated current $I_N$	1.50 A
Rated speed $n$	2900 rpm
Max. speed $n_{\max}$	2900 rpm
Emitted interference	EN 61800-3
Interference resistance	EN 61800-3
Insulation class	F
Protection class motor	IP55

### Approved liquids (other liquids upon request)

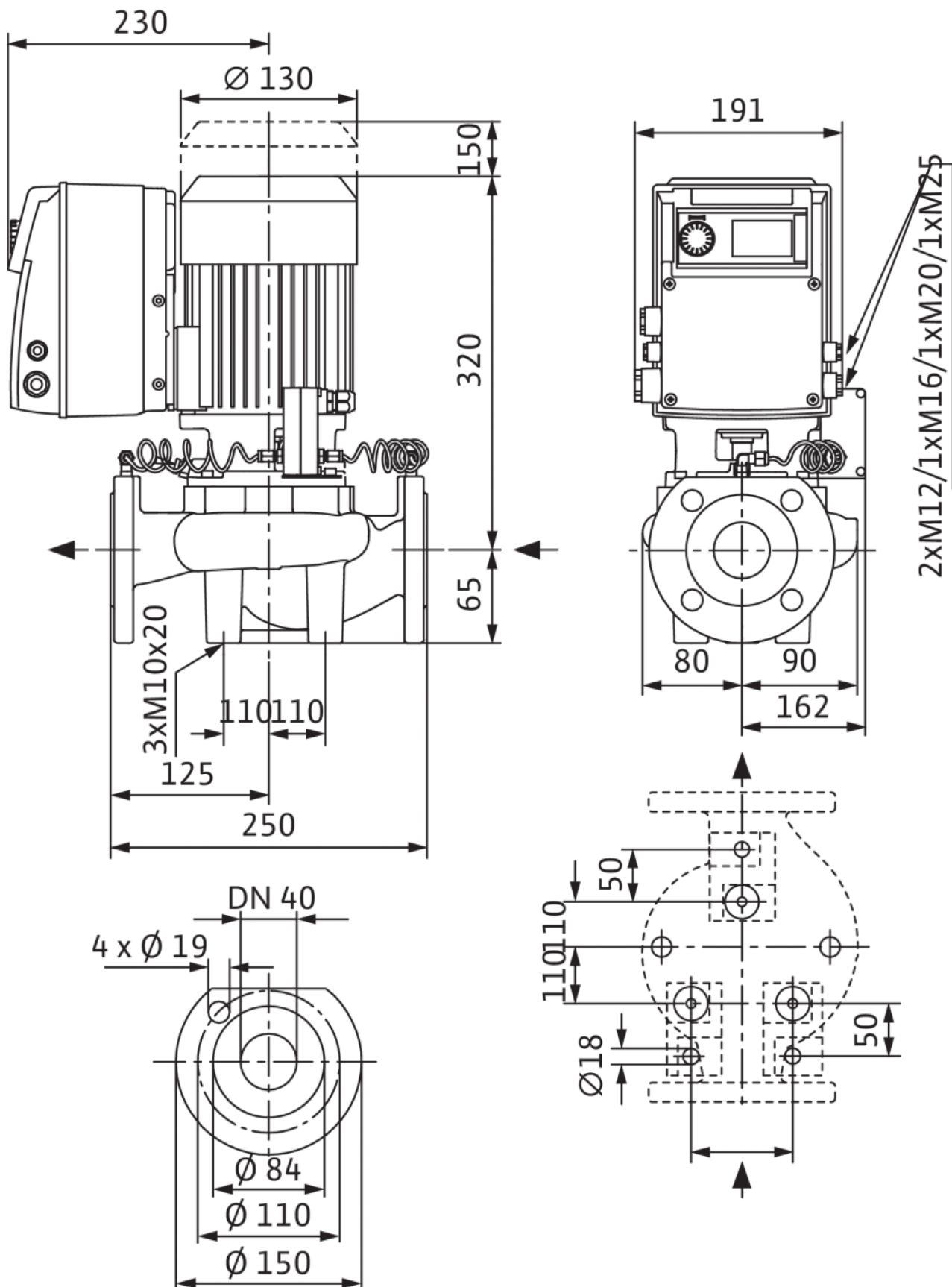
Heating water (as per VDI 2035)	yes
Heat carrier oil	Special version at additional charge
Cooling and cold water circulation systems	yes
Water-glycol mixtures (at 20 – 40 vol. % glycol and fluid temperature $\leq 40$ °C)	yes

### Information for order placements

Brand	Wilo
Product description	VeroLine-IP-E 40/115-0,55/2-R1
EAN number	4048482604480
Article number	2158878
Net weight, approx. $m$	25 kg
Gross weight, approx. $m$	27.6 kg
Length with packaging	526 mm
Height with packaging	385 mm
Width with packaging	314 mm
Packaging property	Transport packaging
Packaging type	Cardboard box
Minimum order quantity	1

## Dimensions and dimensions drawings: VeroLine-IP-E 40/115-0,55/2-R1

VeroLine-IP-E 40/115-0,55/2-R1



Note:

Housing with feet for installation on a base and drilled holes M10, brackets on request.

## Pump curves: VeroLine-IP-E 40/115-0,55/2-R1

VeroLine-IP-E 40/115-0,55/2

