

Data sheet: VeroTwin-DP-E 50/140-3/2

Hydraulic data

| | |
|-------------------------------------|--------|
| Minimum efficiency index (MEI) | 0.4 |
| Maximum operating pressure p | 10 bar |
| Min. fluid temperature T_{\min} | -20 °C |
| Max. fluid temperature T_{\max} | 120 °C |
| Min. ambient temperature T_{\min} | 0 °C |
| Max. ambient temperature T_{\max} | 40 °C |

Materials

| | |
|--------------|-------------|
| Pump housing | EN-GJL-250 |
| Impeller | PPE/PS-GF30 |
| Shaft | 1.4021 |
| Shaft seal | AQ1EGG |
| Lantern | EN-GJL-250 |

Installation dimensions

| | |
|--|--------|
| Port-to-port length L_0 | 340 mm |
| Pipe connection on the suction side DN_s | DN 50 |
| Pipe connection on the pressure side DN_d | DN 50 |

Motor data

| | |
|-------------------------|----------------|
| Mains connection | 3~440 V, 50 Hz |
| Motor efficiency class | IE4 |
| Rated power P_2 | 3.00 kW |
| Rated current I_N | 9.30 A |
| Rated speed n | 2900 rpm |
| Max. speed n_{\max} | 2900 rpm |
| Emitted interference | EN 61800-3 |
| Interference resistance | EN 61800-3 |
| Insulation class | F |
| Protection class motor | IP55 |

Approved liquids (other liquids upon request)

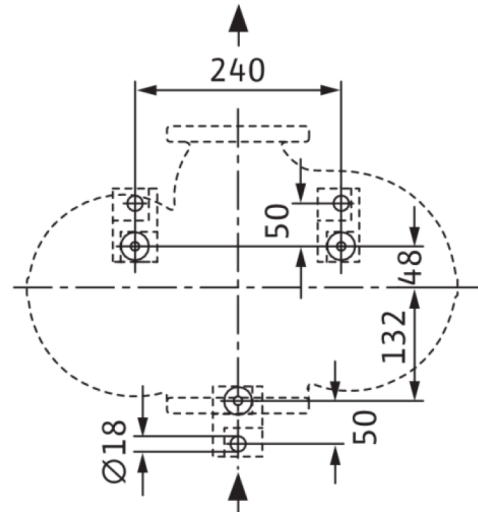
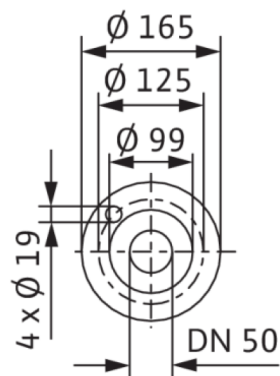
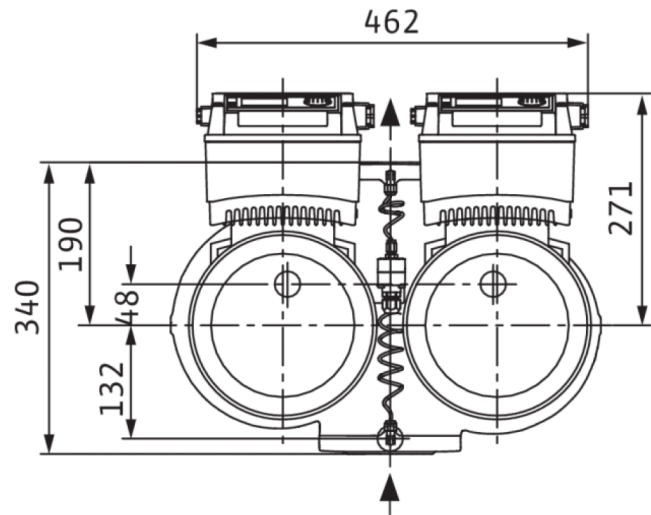
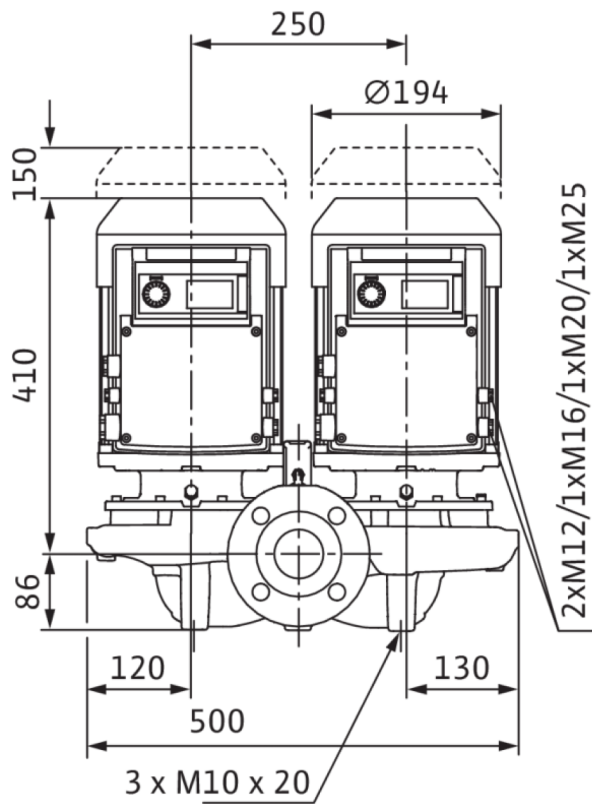
| | |
|---|--------------------------------------|
| Heating water (as per VDI 2035) | yes |
| Heat carrier oil | Special version at additional charge |
| Cooling and cold water circulation systems | yes |
| Water-glycol mixtures (at 20 – 40 vol. % glycol and fluid temperature ≤ 40 °C) | yes |

Information for order placements

| | |
|---------------------------|--------------------------|
| Brand | Wilo |
| Product description | VeroTwin-DP-E 50/140-3/2 |
| EAN number | 4048482649177 |
| Article number | 2158948 |
| Net weight, approx. m | 89 kg |
| Gross weight, approx. m | 101.9 kg |
| Length with packaging | 790 mm |
| Height with packaging | 541 mm |
| Width with packaging | 600 mm |
| Packaging property | Transport packaging |
| Packaging type | One-way pallet |
| Minimum order quantity | 1 |

Dimensions and dimensions drawings: VeroTwin-DP-E 50/140-3/2

VeroTwin-DP-E 50/140-3/2

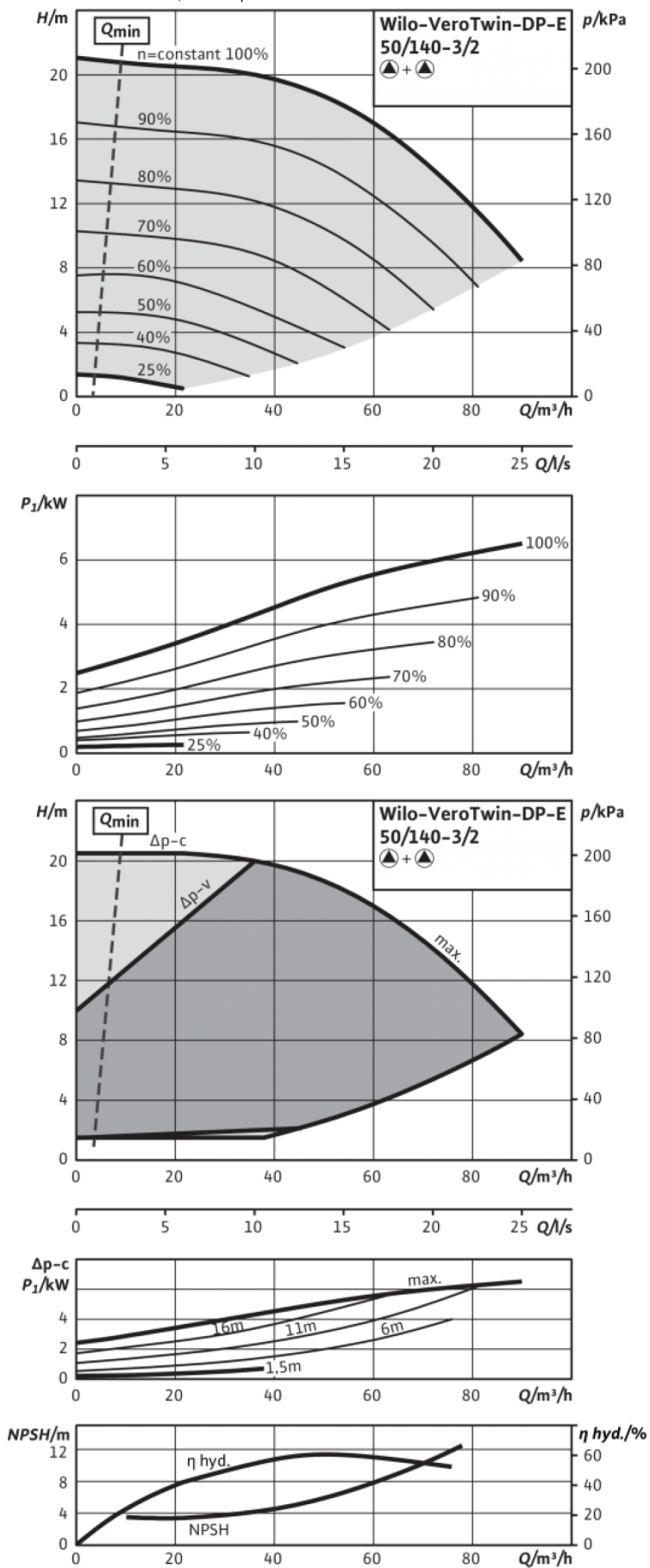


Note:

Housing with feet for installation on a base and drilled holes M10, brackets on request.

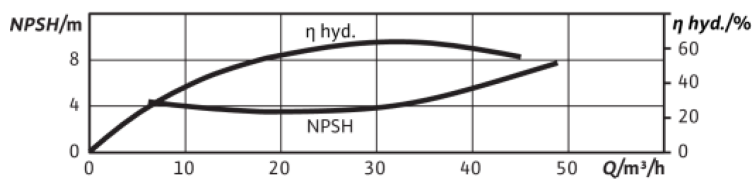
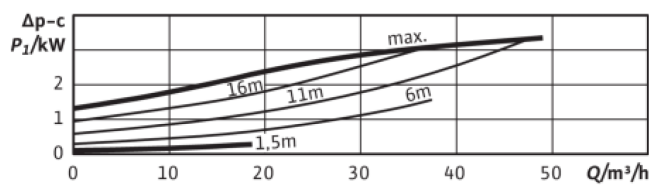
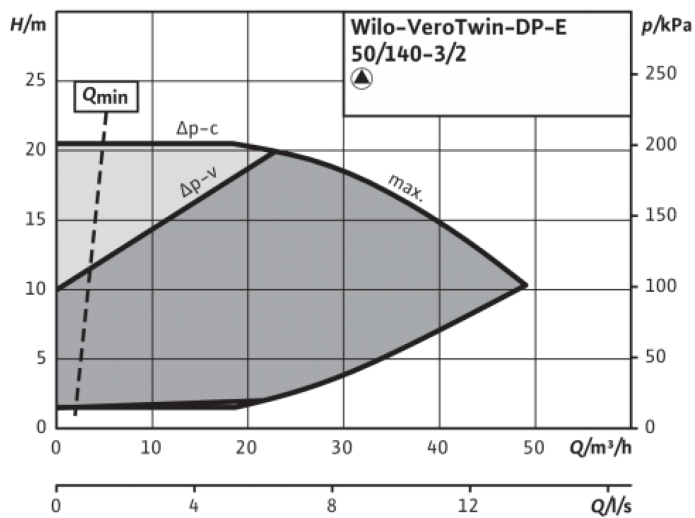
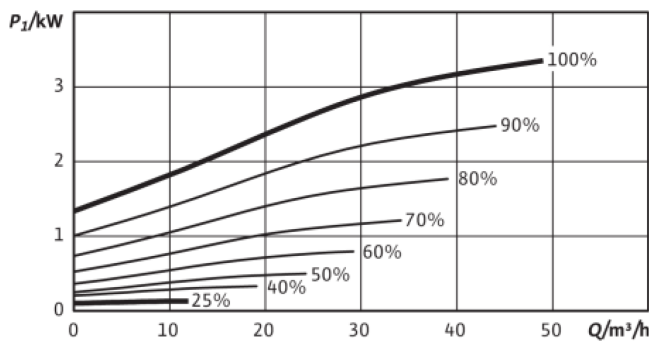
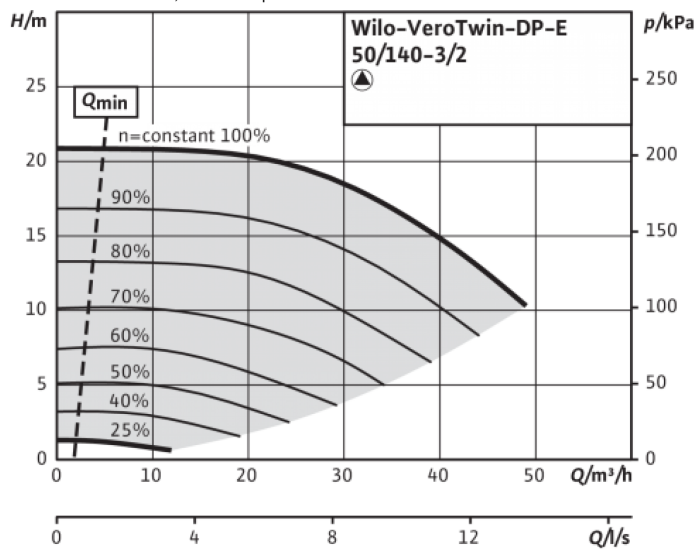
Pump curves: VeroTwin-DP-E 50/140-3/2

VeroTwin-DP-E 50/140-3/2, Parallel operation



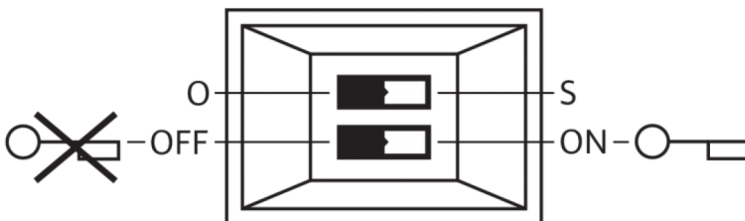
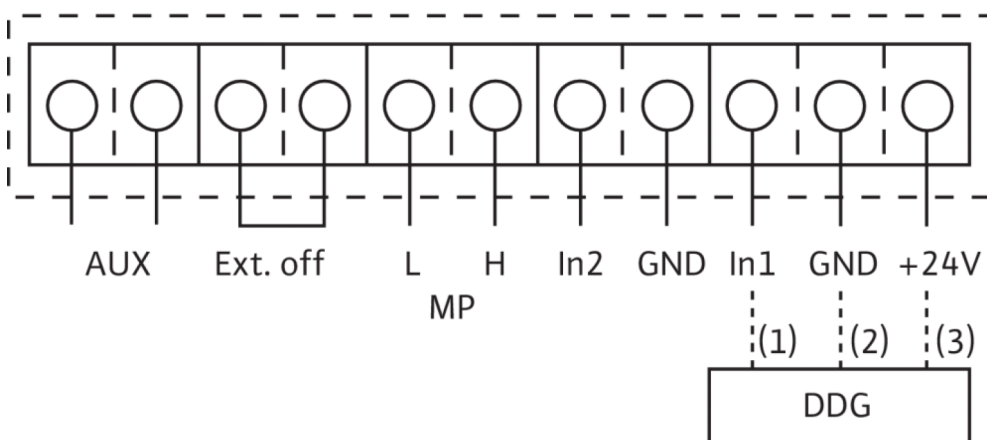
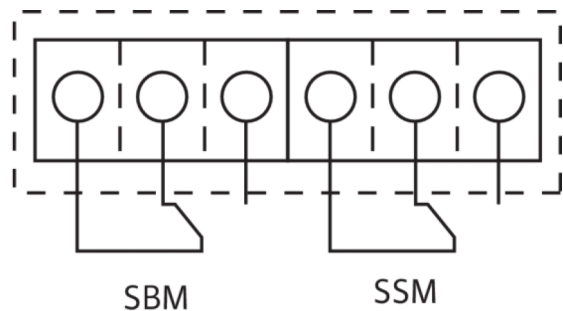
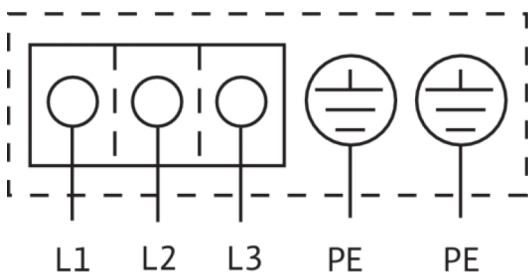
Pump curves: VeroTwin-DP-E 50/140-3/2

VeroTwin-DP-E 50/140-3/2, Individual operation



Wiring diagram: VeroTwin-DP-E 50/140-3/2

IL-E



L1, L2, L3:

PE:
DDG:
In1 (1):
GND (2):
+ 24 V (3):
In2:
MP:
Ext. off:

SBM:*
SSM:*
aux:

DIP switch:

Optional:

Mains connection: 3~440 V ±10%, 50/60 Hz; 3~400 V ±10%, 50/60 Hz; 3~380 V -5%/+10%, 50/60 Hz

Protective conductor connection

Connection for differential pressure sensor

Actual value input 0-10 V/0-20 mA; 2-10 V/4-20 mA

Ground connection for In1 and In2

DC voltage output for an external consumer/sensor. Max load 60 mA

Setpoint input 0-10 V/0-20 mA; 2-10 V/4-20 mA

Multi-pump, interface for dual pump management

Control input "Overriding Off" The pump can be switched on or off via an external, potential-free contact (24 V DC/10 mA).

Potential-free collective run signal (changeover contact according to VDI 3814)

Potential-free collective fault signal (changeover contact according to VDI 3814)

External pump cycling (only with dual pump operation). Pump cycling can be performed using an external, potential-free contact (24 VDC/10 mA)

1: Switchover between operation (O) and service mode (S) 2: Activate/deactivate the menu for access disable

IF-Modules for connection to the building automation

* Load capacity of contacts for SBM and SSM:

min.: 12 V DC/10 mA

max.: 250 V AC/1 A