

## Data sheet: VeroLine-IP-E 50/140-3/2-R1

### Hydraulic data

Minimum efficiency index (MEI)	0.4
Maximum operating pressure $p$	10 bar
Min. fluid temperature $T_{\min}$	-20 °C
Max. fluid temperature $T_{\max}$	120 °C
Min. ambient temperature $T_{\min}$	0 °C
Max. ambient temperature $T_{\max}$	40 °C

### Materials

Pump housing	EN-GJL-250
Impeller	PPE/PS-GF30
Shaft	1.4021
Shaft seal	AQ1EGG
Lantern	EN-GJL-250

### Installation dimensions

Port-to-port length $L_0$	340 mm
Pipe connection on the suction side $DN_s$	DN 50
Pipe connection on the pressure side $DN_d$	DN 50

### Motor data

Mains connection	3~440 V, 50 Hz
Motor efficiency class	IE4
Rated power $P_2$	3.00 kW
Rated current $I_N$	9.30 A
Rated speed $n$	2900 rpm
Max. speed $n_{\max}$	2900 rpm
Emitted interference	EN 61800-3
Interference resistance	EN 61800-3
Insulation class	F
Protection class motor	IP55

### Approved liquids (other liquids upon request)

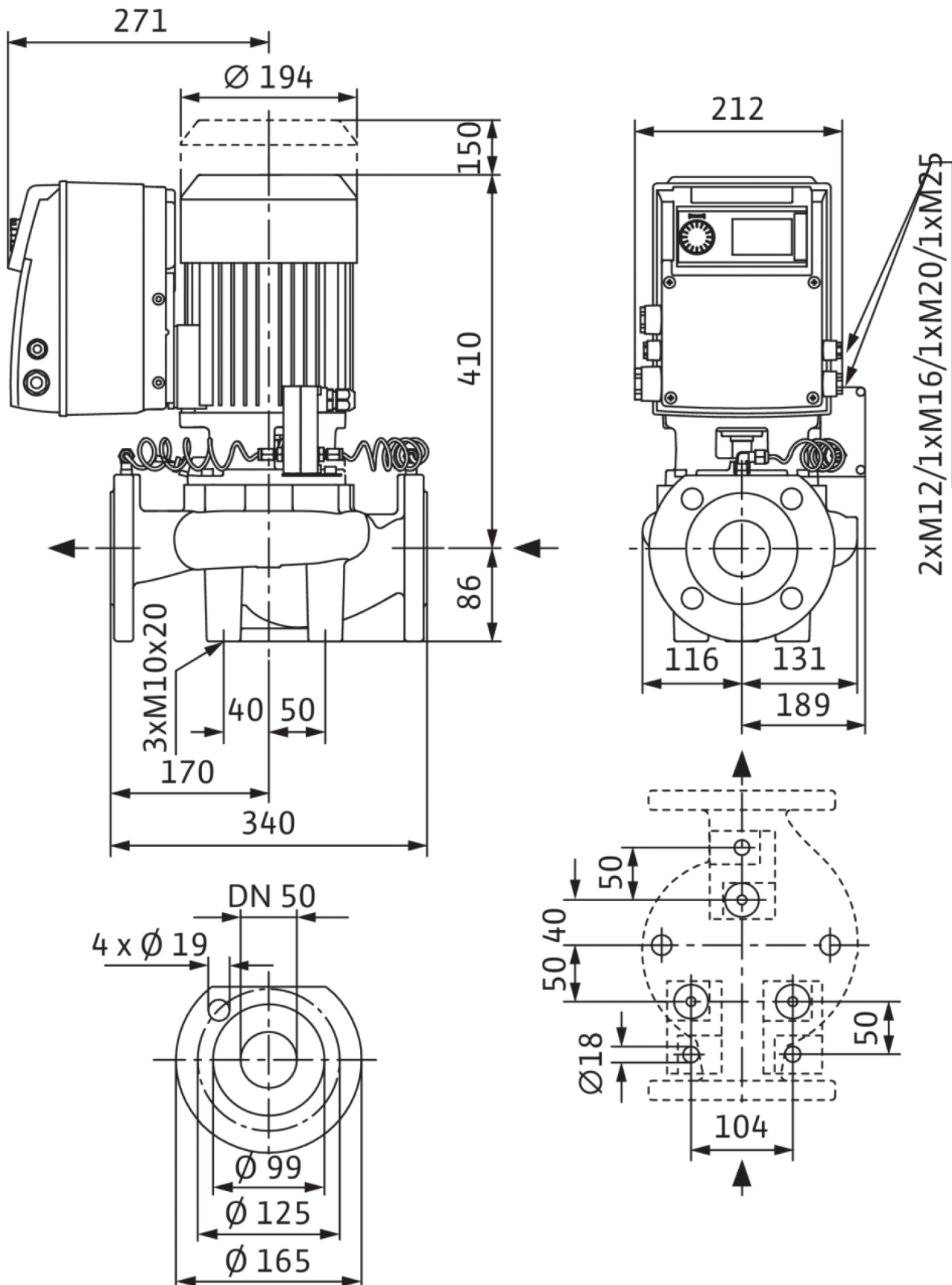
Heating water (as per VDI 2035)	yes
Heat carrier oil	Special version at additional charge
Cooling and cold water circulation systems	yes
Water-glycol mixtures (at 20 – 40 vol. % glycol and fluid temperature $\leq 40$ °C)	yes

### Information for order placements

Brand	Wilo
Product description	VeroLine-IP-E 50/140-3/2-R1
EAN number	4048482648286
Article number	2158885
Net weight, approx. $m$	48 kg
Gross weight, approx. $m$	47.5 kg
Length with packaging	570 mm
Height with packaging	460 mm
Width with packaging	385 mm
Packaging property	Transport packaging
Packaging type	Cardboard box
Minimum order quantity	1

## Dimensions and dimensions drawings: VeroLine-IP-E 50/140-3/2-R1

VeroLine-IP-E 50/140-3/2-R1

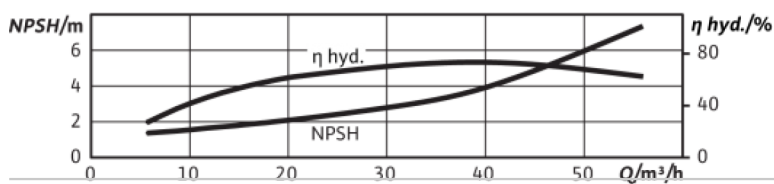
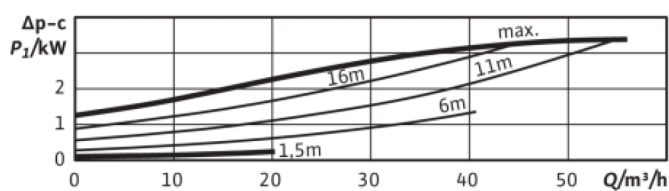
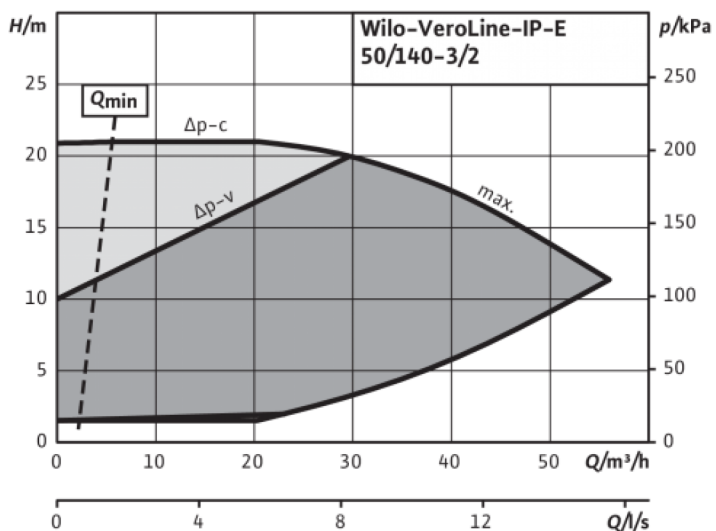
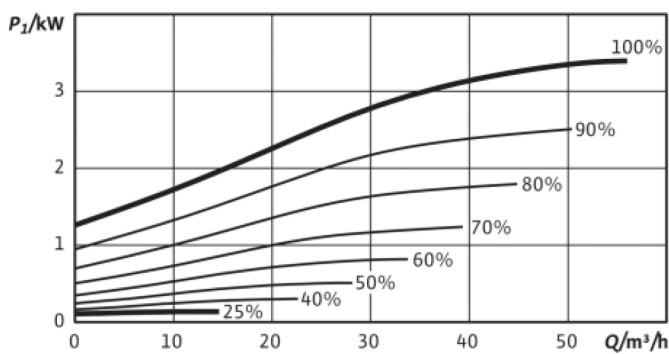
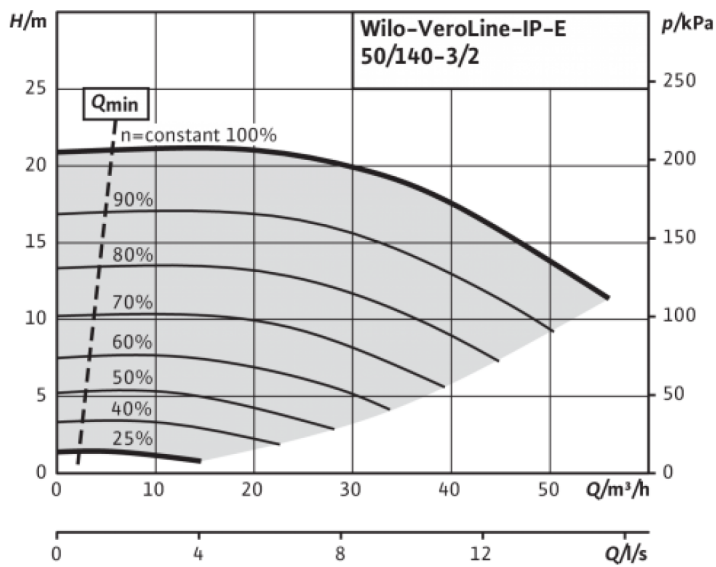


Note:

Housing with feet for installation on a base and drilled holes M10, brackets on request.

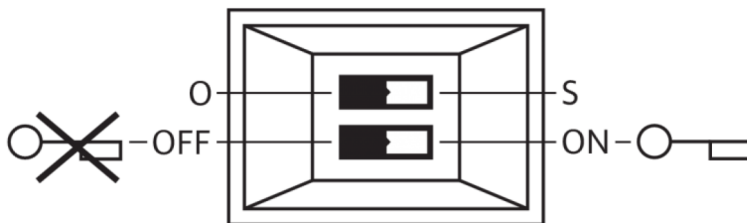
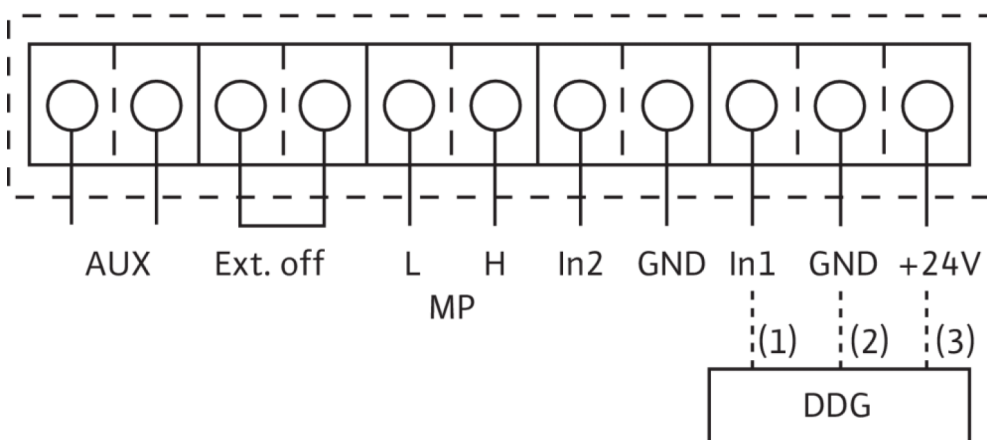
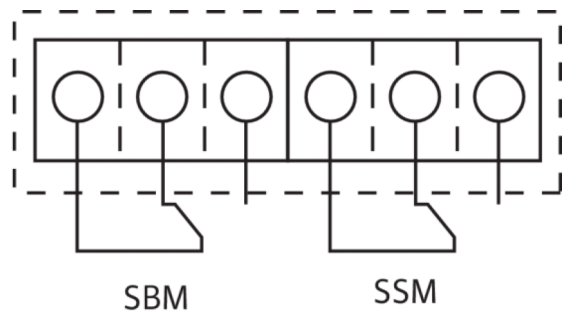
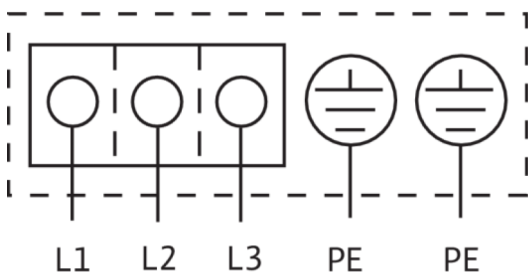
## Pump curves: VeroLine-IP-E 50/140-3/2-R1

VeroLine-IP-E 50/140-3/2



## Wiring diagram: VeroLine-IP-E 50/140-3/2-R1

IL-E



L1, L2, L3:

PE:  
DDG:  
In1 (1):  
GND (2):  
+ 24 V (3):  
In2:  
MP:  
Ext. off:

SBM:\*  
SSM:\*

aux:

DIP switch:

Optional:

Mains connection: 3~440 V ±10%, 50/60 Hz; 3~400 V ±10%, 50/60 Hz; 3~380 V -5%/+10%, 50/60 Hz

Protective conductor connection

Connection for differential pressure sensor

Actual value input 0-10 V/0-20 mA; 2-10 V/4-20 mA

Ground connection for In1 and In2

DC voltage output for an external consumer/sensor. Max load 60 mA

Setpoint input 0-10 V/0-20 mA; 2-10 V/4-20 mA

Multi-pump, interface for dual pump management

Control input "Overriding Off" The pump can be switched on or off via an external, potential-free contact (24 V DC/10 mA).

Potential-free collective run signal (changeover contact according to VDI 3814)

Potential-free collective fault signal (changeover contact according to VDI 3814)

External pump cycling (only with dual pump operation). Pump cycling can be performed using an external, potential-free contact (24 VDC/10 mA)

1: Switchover between operation (O) and service mode (S) 2: Activate/deactivate the menu for access disable

IF-Modules for connection to the building automation

\* Load capacity of contacts for SBM and SSM:

min.: 12 V DC/10 mA

max.: 250 V AC/1 A