

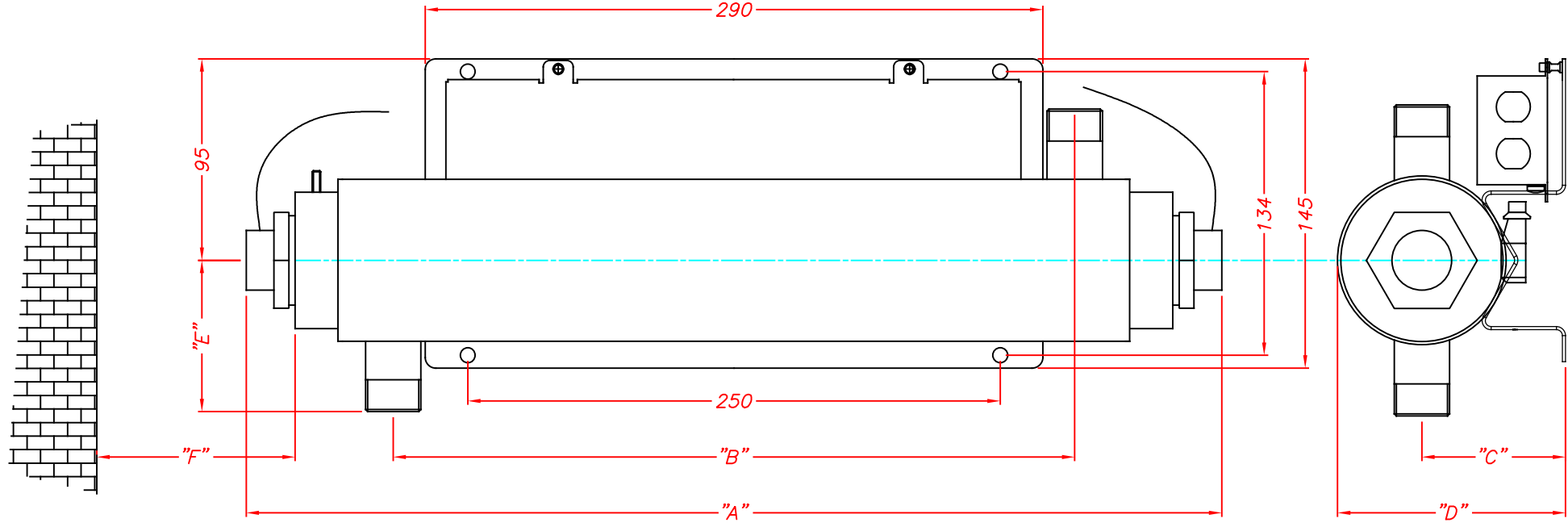
GENERAL NOTES

3 Series ECO General Arrangement Drawing 739-102-1

Models: EC01, EC02, EC03 & EC05.

Notes:

- 1 - Mounting can be vertical or horizontal - in both cases, water outlet MUST BE UPPERMOST.
- 2 - Chamber can be rotated through 180° for ease of mounting.
- 3 - If mounted horizontally, control box MUST BE MOUNTED AS SHOWN, ABOVE THE CHAMBER.
- 4 - Clearance "F" accounts for lamp or quartz removal during maintenance.



MODEL	A	B	C	D	E	F	CONNECTIONS
EC01	465	320	68	107	73	500	3/4" BSPT MALE
EC02	920	777	68	107	73	950	3/4" BSPT MALE
EC03	920	777	68	107	73	950	3/4" BSPT MALE
EC05	920	765	82	134	89	950	1" BSPT MALE

No.	Revision	Date
3		
2		

Drg. No. DUV 739
 Sht. No. 102
 Iss. No. 1
 Customer DUVS
 Product 3 Series ECO
 Job Ref. GA Drawing
 Drawn 23.04.14
 By C Mathieson

All dimensions in mm.
 General tolerances, unless otherwise stated:
 No decimals: ±0.5
 One decimal: ±0.1
 Angular: ±0.5°

COPYRIGHT
 This drawing remains the property of DARO UV SYSTEMS Ltd and must not be reproduced without written consent.

DaRo
 UV SYSTEMS Ltd

Unit 9,
 Ballingdon Industrial Estate,
 Sudbury, Suffolk.
 CO10 2DX.
 TEL: (01787) 370187
 FAX: (01787) 319924
 email: sales@darouv.co.uk
 Website: www.darouv.co.uk

nqa.
 ISO 9001
 Registered

UKAS
 QUALITY
 MANAGEMENT
 015