

**Receiver**
**From**

 Society  
 Reference  
 Address  
 Phone  
 Fax  
 E-mail

**Item n° :**

102660000

**Model :**

JET 62 M

**Pump data**

 Pressure rating : 6 bar (600 kPa)  
 Min. fluid temperature : 0 °C  
 Max. fluid temperature : 35 °C  
 Max. Ambient temperature : 40 °C

**Priming capacity :**

|   |      |      |      |      |      |      |      |      |      |
|---|------|------|------|------|------|------|------|------|------|
| H | m    | 2    | 3    | 4    | 5    | 6    | 7    | 8    | 9    |
| Q | m³/h | 2.46 | 2.28 | 2.04 | 1.86 | 1.62 | 1.32 | 1.14 | 0.78 |

**Requested data**

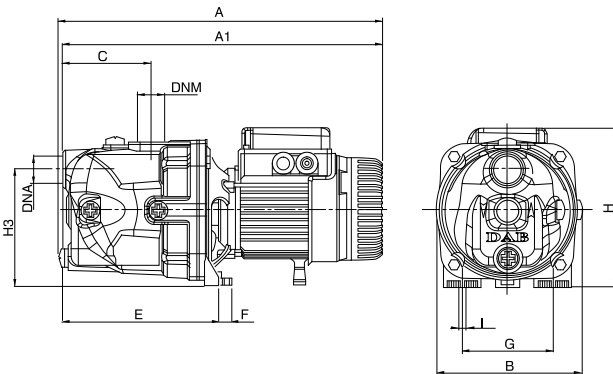
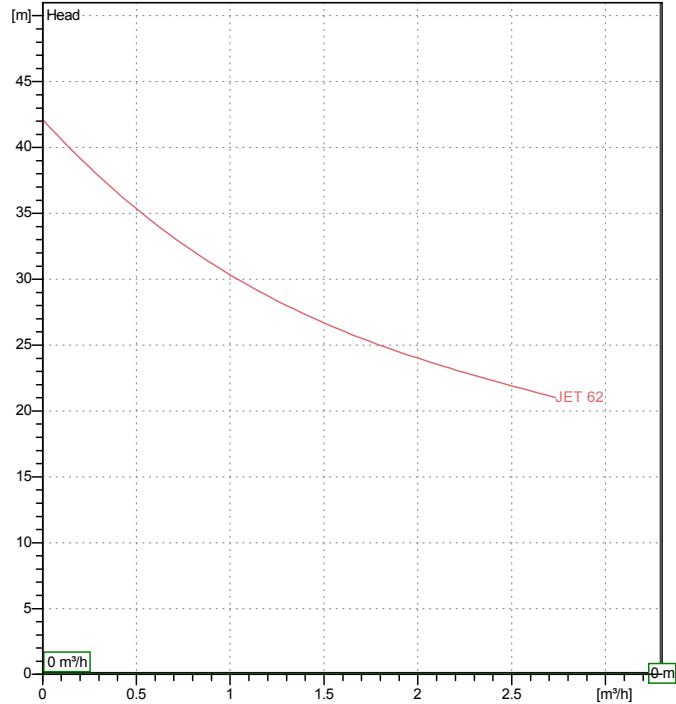
 Flow : 0.00 m³/h  
 Head : 0.00 m  
 Fluid : Water, pure  
 Fluid Temperature : 20 °C  
 Density : 998.3 kg/m³  
 Kinematic viscosity : 1.005 mm²/s  
 Vapor pressure : 100.00 kPa

**Hydraulic data (duty point)**

 Flow :  
 Head :

**Materials**

 Pump body : Cast iron 200 UNI ISO 185  
 Support : Die cast aluminium  
 Impeller : Technopoly mer A  
 Mechanical seal : Carbon/Ceramic  
 OR ring : NBR Rubber  
 Shaft with rotor : AISI 416 X12 CrS 13 UNI 6900/71  
 Nozzle venturi dif fuser assembly : Technopoly mer A

**Curve tolerance according to ISO 9906**

**Motor data**

 Motor brand : DAB  
 Nominal power P2 : 0.44 kW  
 Rated speed : 2850 rpm  
 Rated voltage : 1~ 220-240 V 50 Hz  
 Nominal current : 3.12 A  
 Degree of protection : IP 44

**Dimensions in**
**mm**

|    |     |     |      |     |     |  |  |
|----|-----|-----|------|-----|-----|--|--|
| A  | 395 | DNA | 1" G | G   | 111 |  |  |
| A1 | 390 | DNM | 1" G | H   | 193 |  |  |
| B  | 178 | E   | 192  | H3  | 144 |  |  |
| C  | 108 | F   | 14   | I Ø | 9   |  |  |

**Weight :** 10.5 kg

**Pump connection**

 Suction side : 1 " G / 6 bar (600 kPa)  
 Discharge side : 1 " G / 6 bar (600 kPa)



WATER • TECHNOLOGY

# PERFORMANCE CURVES

06/01/2017

Page 2 / 3

DAB PUMPS S.p.A.  
Via Marco Polo, 14 - 35035 Mestrino (PD), Italy  
Tel. +39 049 5125000 - Fax +39 049 5125950  
www.dabpumps.com

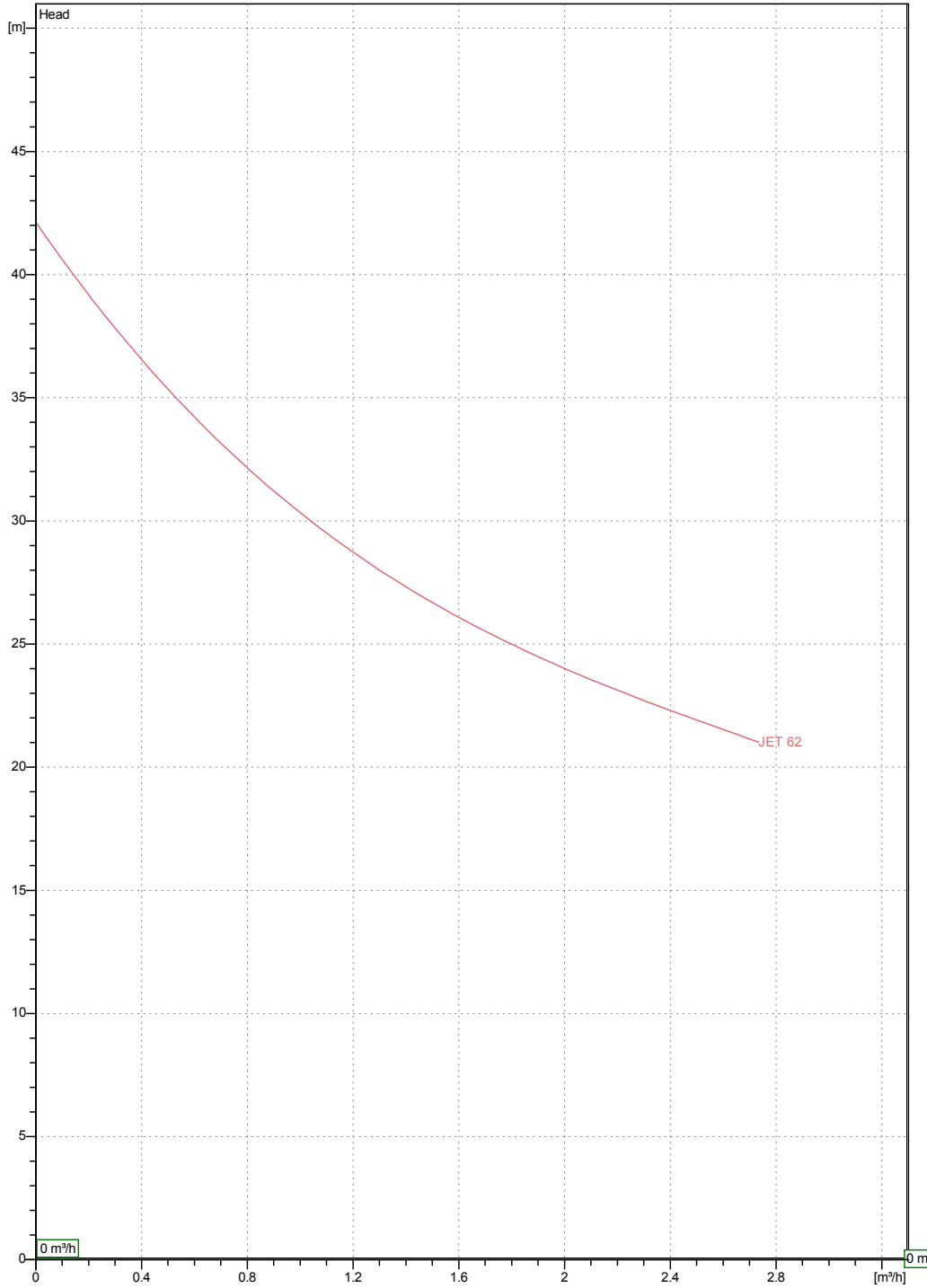
Receiver

From

Society  
Reference  
Address  
Phone  
Fax  
E-mail

## JET 62 M

Curve tolerance according to ISO 9906



Hydraulic data (duty point)

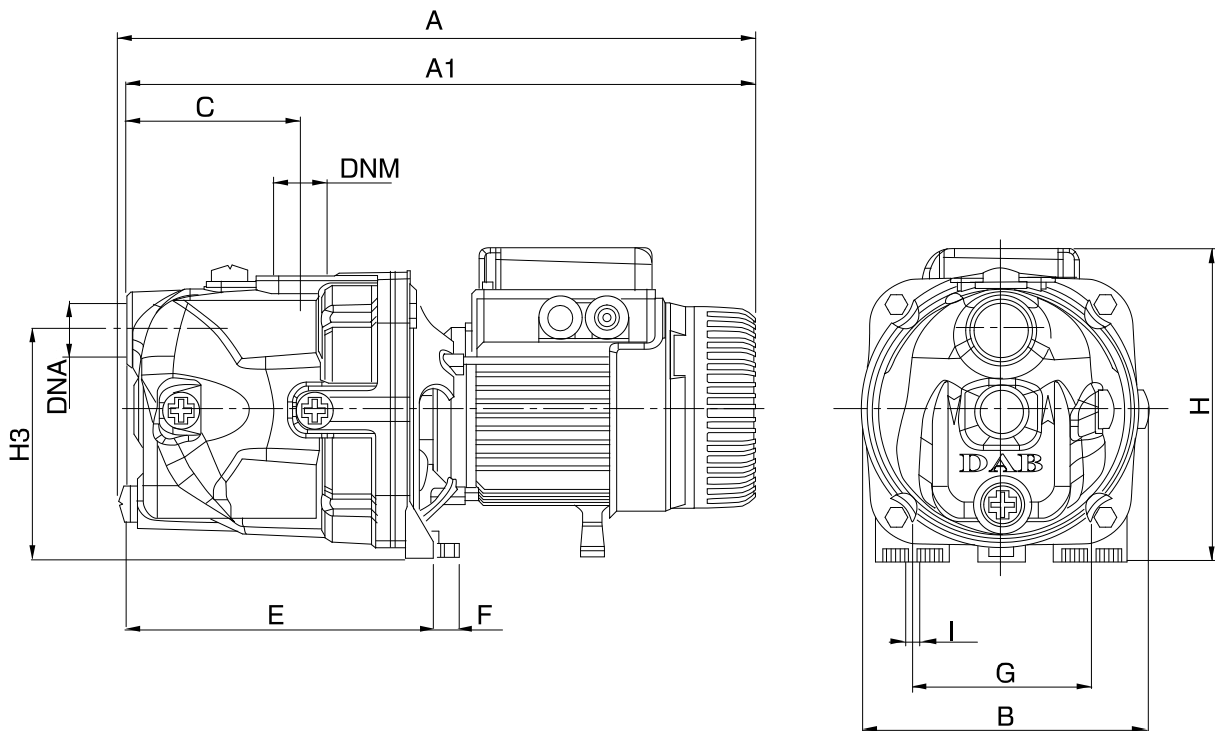
|  |  |                  |                                 |                           |
|--|--|------------------|---------------------------------|---------------------------|
| Suction side :<br>1 " G<br>6 bar (600 kPa) | Discharge side :<br>1 " G<br>6 bar (600 kPa) | Flow :<br>0 m³/h | Head :<br>0 m                   | Rated speed :<br>2850 rpm |
| Project                                    | Project ID                                   | Created by       | Created on<br><b>06/01/2017</b> |                           |

Receiver

From

Society  
 Reference  
 Address  
 Phone  
 Fax  
 E-mail

## JET 62 M


**Dimensions in mm**

|    |     |      |     |     |  |  |
|----|-----|------|-----|-----|--|--|
| 1  | A   | 395  | H3  | 144 |  |  |
| 2  | A1  | 390  | I Ø | 9   |  |  |
| 3  | B   | 178  |     |     |  |  |
| 4  | C   | 108  |     |     |  |  |
| 5  | DNA | 1" G |     |     |  |  |
| 6  | DNM | 1" G |     |     |  |  |
| 7  | E   | 192  |     |     |  |  |
| 8  | F   | 14   |     |     |  |  |
| 9  | G   | 111  |     |     |  |  |
| 10 | H   | 193  |     |     |  |  |

**Pump connection**

Suction  
 1" G  
 6 bar (600 kPa)

Discharge  
 1" G  
 6 bar (600 kPa)

Project

Project ID

Created by

Created on

**06/01/2017**