

Receiver
From

 Society
 Reference
 Address
 Phone
 Fax
 E-mail

Item n° :

102160092

Model :

JET 251 M

Pump data

 Pressure rating : 8 bar (800 kPa)
 Min. fluid temperature : 0 °C
 Max. fluid temperature : 35 °C
 Max. Ambient temperature : 40 °C

Priming capacity :

H m	2	3	4	5	6	7	8
Q m³/h	6.3	5.52	4.92	4.32	3.72	3.3	2.46

Requested data

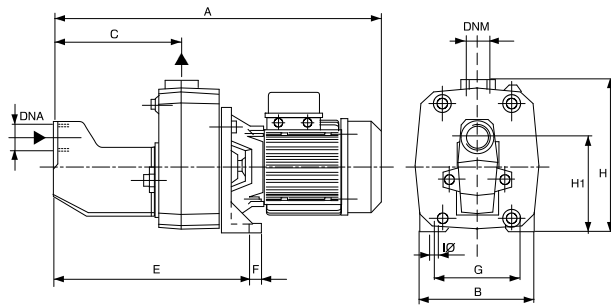
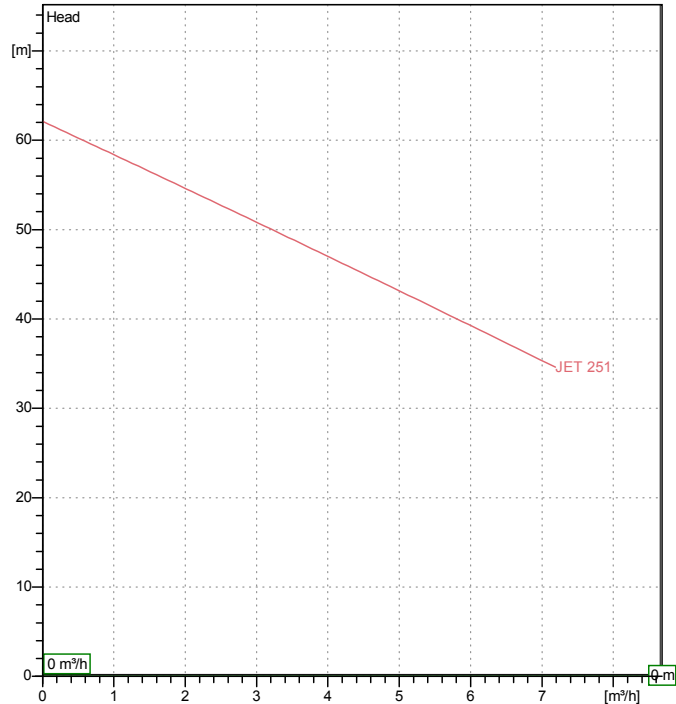
 Flow : 0.00 m³/h
 Head : 0.00 m
 Fluid : Water, pure
 Fluid Temperature : 20 °C
 Density : 998.3 kg/m³
 Kinematic viscosity : 1.005 mm²/s
 Vapor pressure : 100.00 kPa

Hydraulic data (duty point)

 Flow :
 Head :

Materials

 Pump body : Cast iron GJL 200 UNI EN 1561
 Support : Cast iron GJL 200 UNI EN 1561
 Impeller : Noryl
 Mechanical seal : Carbon/Ceramic
 OR ring : NBR Rubber
 Shaft with rotor : AISI 303
 Nozzle venturi diffuser assembly : Noryl

Curve tolerance according to ISO 9906

Motor data

 Motor brand : DAB
 Nominal power P2 : 1.85 kW
 Rated speed : 2800 rpm
 Rated voltage : 1~ 220-240 V 50 Hz
 Nominal current : 10 A
 Degree of protection : IP 44

Dimensions in
mm

A	632	DNM	1" G	H	255		
B	210	E	350	H1	158		
C	221	F	20	I Ø	11		
DNA	1"1/4 G	G	145				

Weight : 35 kg

Pump connection

 Suction side : 1 " 1/4 G/ 8 bar (800 kPa)
 Discharge side : 1 " G / 8 bar (800 kPa)



WATER • TECHNOLOGY

PERFORMANCE CURVES

06/01/2017

Page 2 / 3

DAB PUMPS S.p.A.
Via Marco Polo, 14 - 35035 Mestrino (PD), Italy
Tel. +39 049 5125000 - Fax +39 049 5125950
www.dabpumps.com

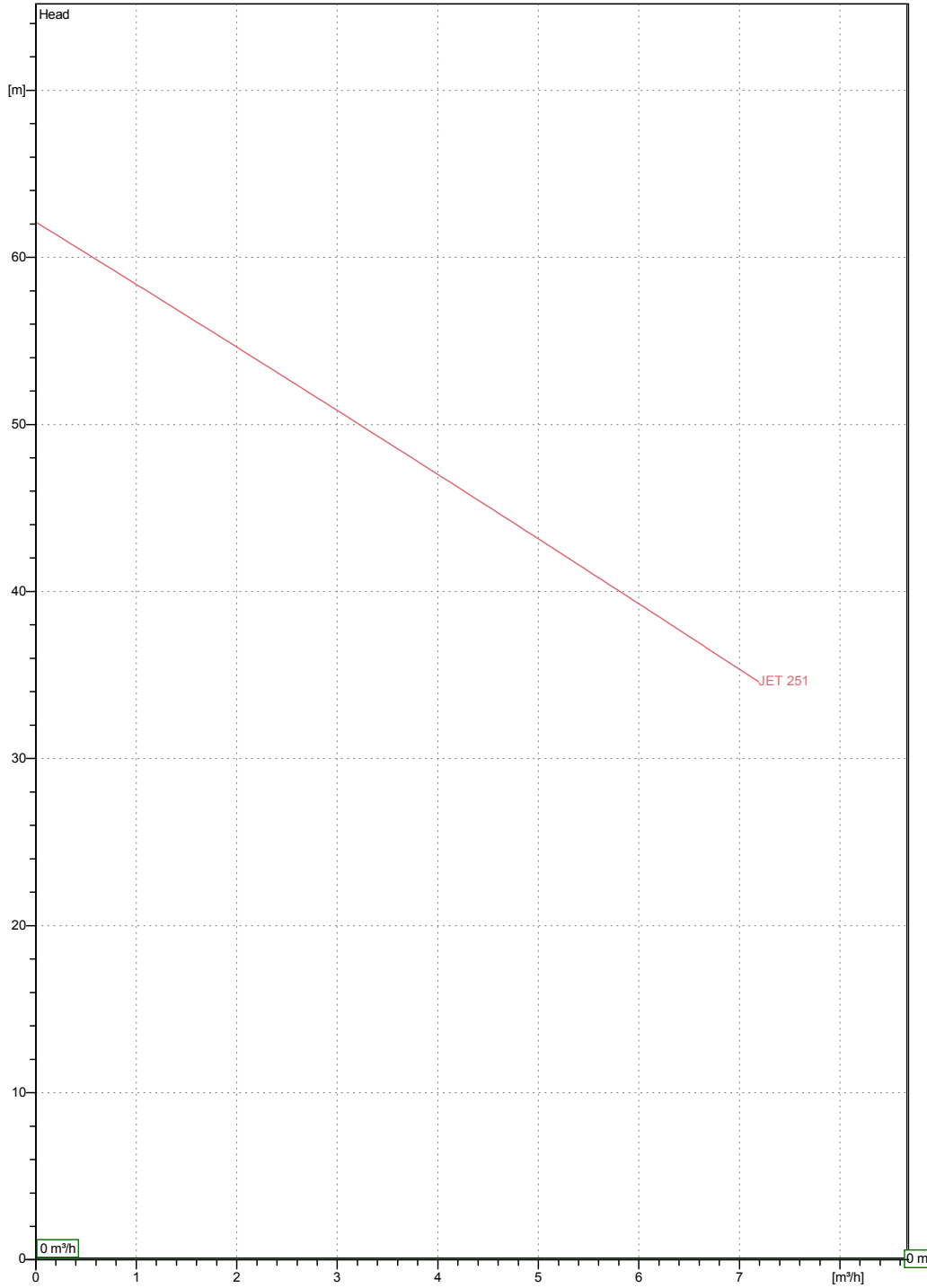
Receiver

From

Society
Reference
Address
Phone
Fax
E-mail

JET251 M

Curve tolerance according to ISO 9906



Hydraulic data (duty point)

Suction side :
1 " 1/4 G
8 bar (800 kPa)

Discharge side :
1 " G
8 bar (800 kPa)

Flow :
0 m³/h

Head :
0 m

Rated speed :
2800 rpm

Project

Project ID

Created by

Created on

06/01/2017



WATER • TECHNOLOGY

DIMENSIONAL DRAWING

06/01/2017

Page 3 / 3

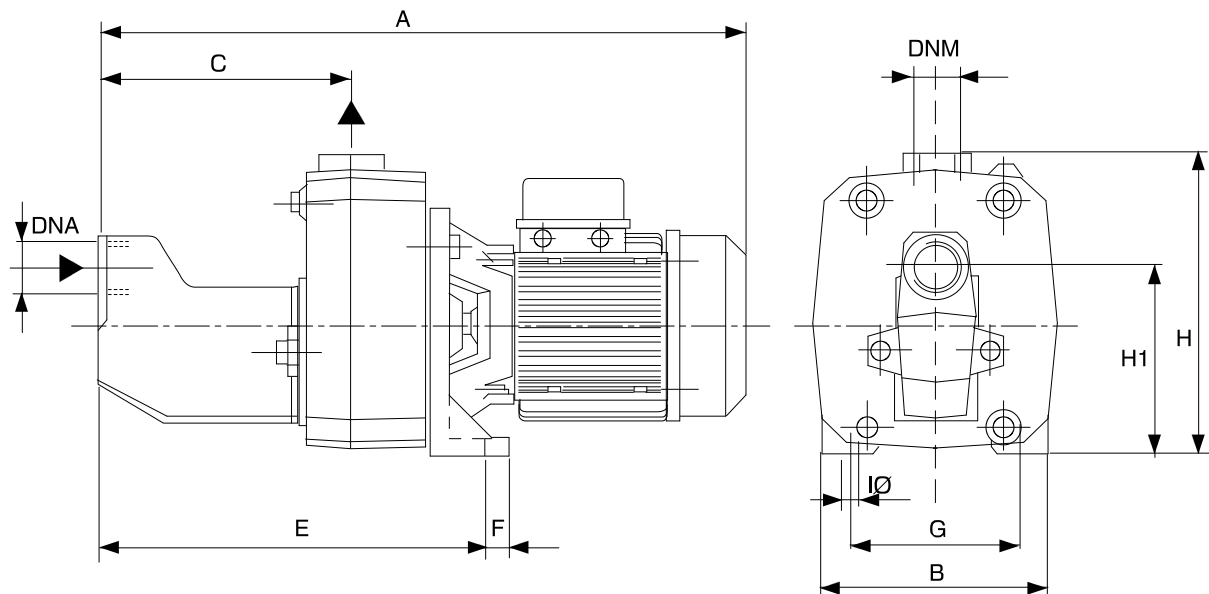
DAB PUMPS S.p.A.
Via Marco Polo, 14 - 35035 Mestrino (PD), Italy
Tel. +39 049 5125000 - Fax +39 049 5125950
www.dabpumps.com

Receiver

From

Society
Reference
Address
Phone
Fax
E-mail

JET 251 M



Dimensions in mm

1	A	632	1 Ø	11		
2	B	210				
3	C	221				
4	DNA	1"1/4 G				
5	DNM	1" G				
6	E	350				
7	F	20				
8	G	145				
9	H	255				
10	H1	158				

Pump connection

Suction
1 " 1/4 G
8 bar (800 kPa)

Discharge
1 " G
8 bar (800 kPa)

Project

Project ID

Created by

Created on

06/01/2017