

**Receiver**
**From**

 Society  
 Reference  
 Address  
 Phone  
 Fax  
 E-mail

**Item n° :**

102660040

**Model :**

JET 102 M

**Pump data**

 Pressure rating : 6 bar (600 kPa)  
 Min. fluid temperature : 0 °C  
 Max. fluid temperature : 35 °C  
 Max. Ambient temperature : 40 °C

**Priming capacity :**

H m	2	3	4	5	6	7	8	9
Q m³/h	3.06	2.82	2.46	2.28	2.04	1.68	1.38	1.08

**Requested data**

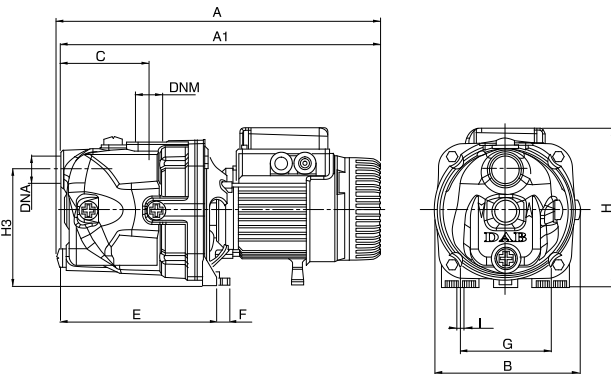
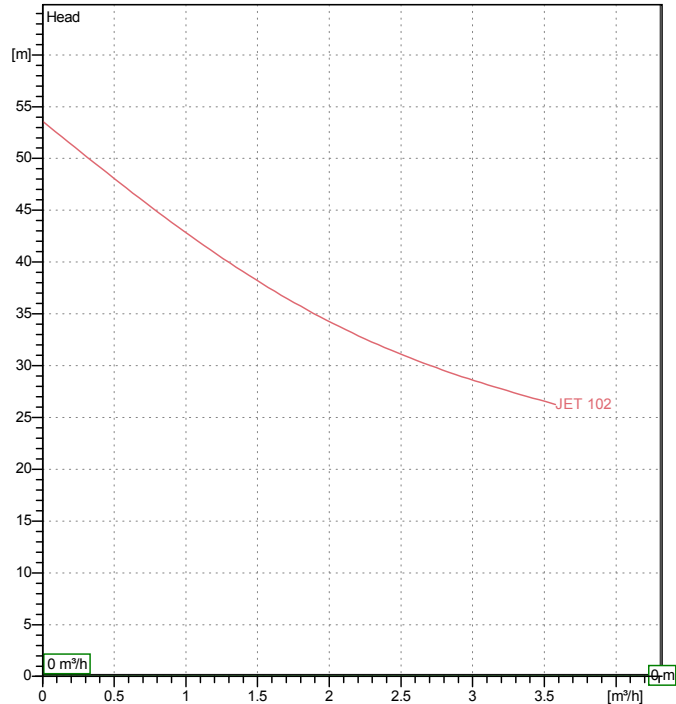
 Flow : 0.00 m³/h  
 Head : 0.00 m  
 Fluid : Water, pure  
 Fluid Temperature : 20 °C  
 Density : 998.3 kg/m³  
 Kinematic viscosity : 1.005 mm²/s  
 Vapor pressure : 100.00 kPa

**Hydraulic data (duty point)**

 Flow :  
 Head :

**Materials**

 Pump body : Cast iron 200 UNI ISO 185  
 Support : Die cast aluminium  
 Impeller : Technopoly mer A  
 Mechanical seal : Carbon/Ceramic  
 OR ring : NBR Rubber  
 Shaft with rotor : AISI 416 X12 CrS 13 UNI 6900/71  
 Nozzle venturi diffuser assembly : Technopoly mer A

**Curve tolerance according to ISO 9906**

**Motor data**

 Motor brand : DAB  
 Nominal power P2 : 0.75 kW  
 Rated speed : 2800 rpm  
 Rated voltage : 1~ 220-240 V 50 Hz  
 Nominal current : 5.1 A  
 Degree of protection : IP 44

**Dimensions in**
**mm**

A	414	DNA	1" G	G	111		
A1	409	DNM	1" G	H	203		
B	178	E	197	H3	144		
C	108	F	14	I Ø	9		

**Weight :** 12.5 kg

**Pump connection**

 Suction side : 1 " G / 6 bar (600 kPa)  
 Discharge side : 1 " G / 6 bar (600 kPa)



WATER • TECHNOLOGY

# PERFORMANCE CURVES

06/01/2017

Page 2 / 3

DAB PUMPS S.p.A.  
Via Marco Polo, 14 - 35035 Mestrino (PD), Italy  
Tel. +39 049 5125000 - Fax +39 049 5125950  
www.dabpumps.com

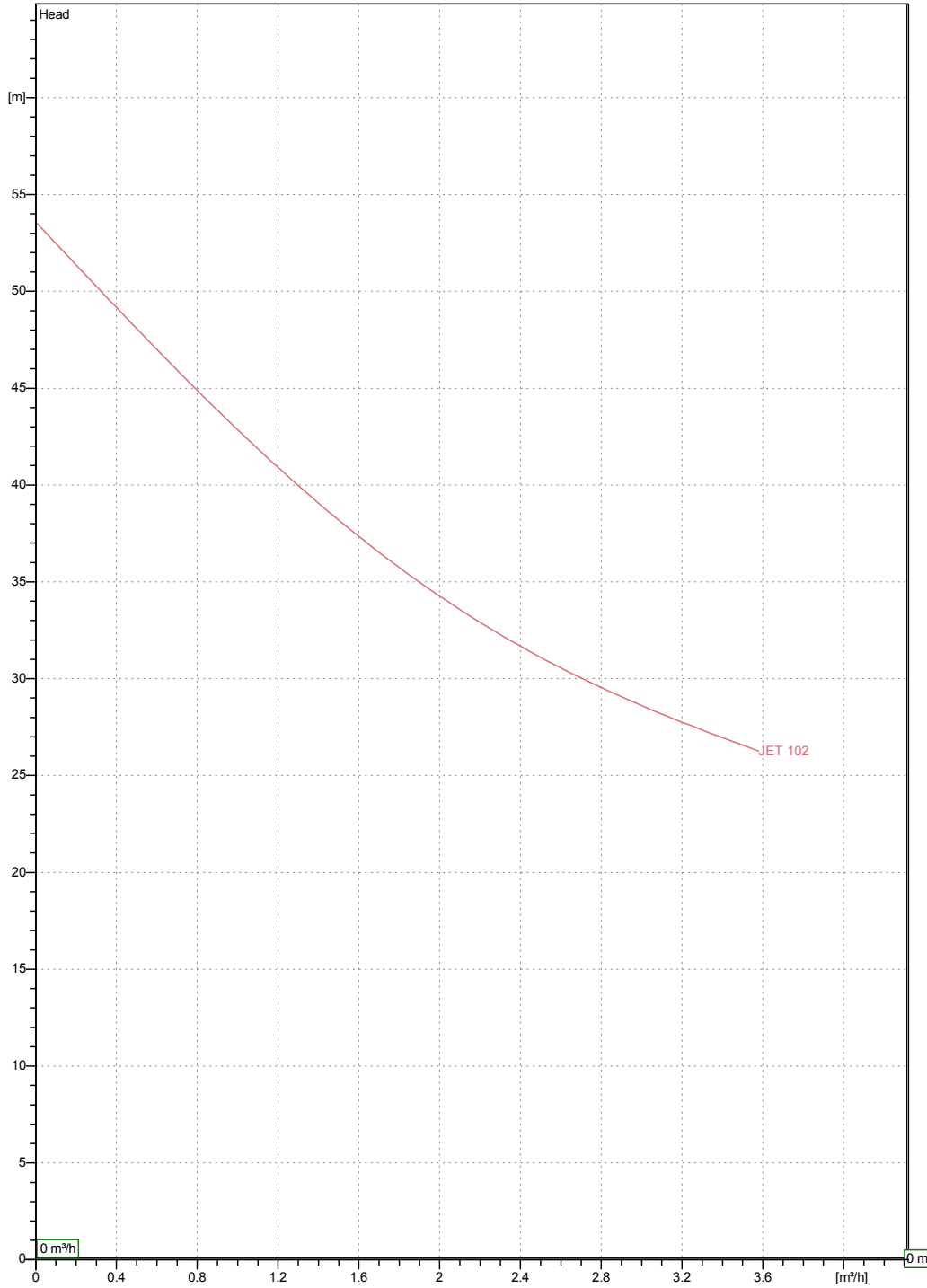
Receiver

From

Society  
Reference  
Address  
Phone  
Fax  
E-mail

## JET 102 M

Curve tolerance according to ISO 9906



Hydraulic data (duty point)

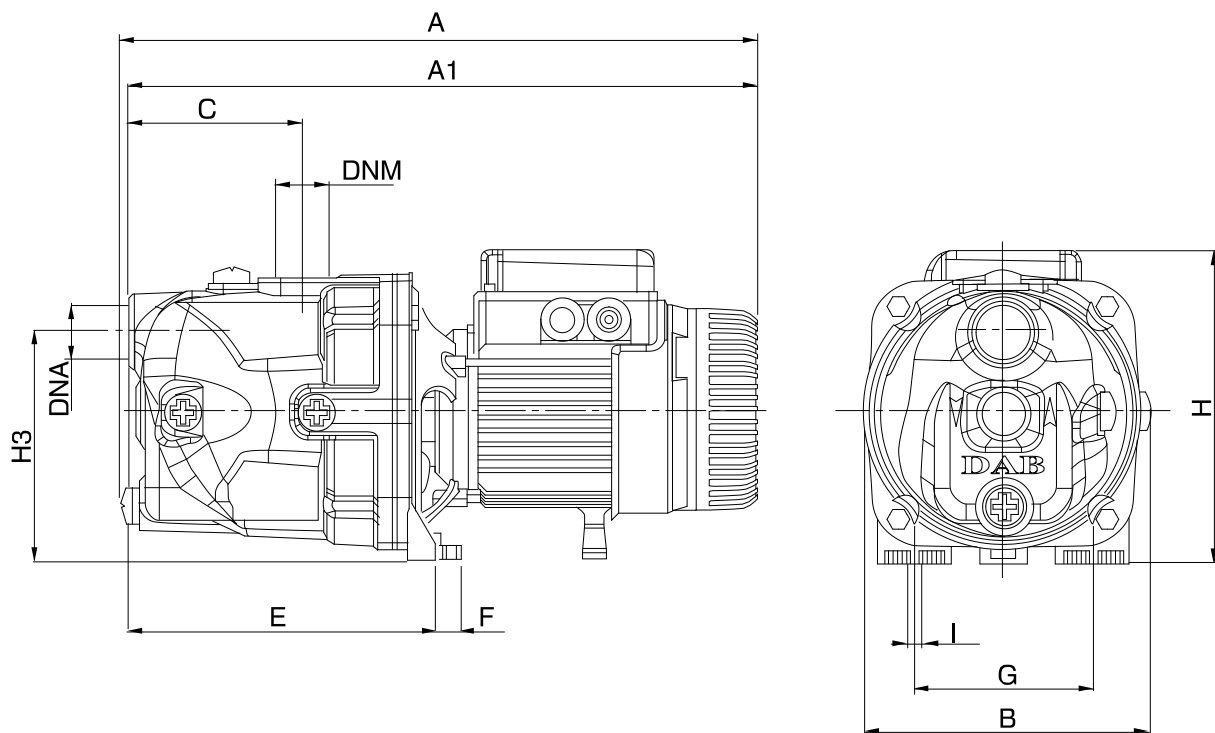
Suction side : 1 " G 6 bar (600 kPa)	Discharge side : 1 " G 6 bar (600 kPa)	Flow : 0 m³/h	Head : 0 m	Rated speed : 2800 rpm
Project	Project ID	Created by	Created on <b>06/01/2017</b>	

Receiver

From

Society  
 Reference  
 Address  
 Phone  
 Fax  
 E-mail

## JET 102 M


**Dimensions in mm**

1	A	414	H3	144		
2	A1	409	I Ø	9		
3	B	178				
4	C	108				
5	DNA	1" G				
6	DNM	1" G				
7	E	197				
8	F	14				
9	G	111				
10	H	203				

**Pump connection**

Suction  
 1 " G  
 6 bar (600 kPa)

Discharge  
 1 " G  
 6 bar (600 kPa)

Project

Project ID

Created by

Created on

**06/01/2017**