

Receiver
From

 Society
 Reference
 Address
 Phone
 Fax
 E-mail

Item n° :

103022384

Model :

FEKA 600 M-NA

Pump data

Free passage : 25 mm

Pressure rating :

Min. fluid temperature : 0 °C

Max. fluid temperature : 35 °C

Max. Ambient temperature : 40 °C

Requested data

Flow : 0 m³/h

Head : 0 m

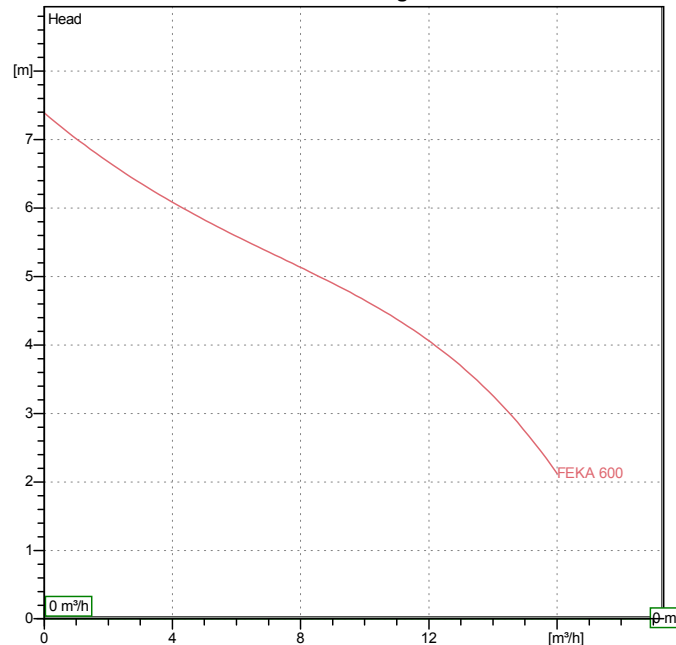
Fluid : Water, pure

Fluid Temperature : 20 °C

Density : 998.3 kg/m³

Kinematic viscosity : 1.005 mm²/s

Vapor pressure : 100 kPa

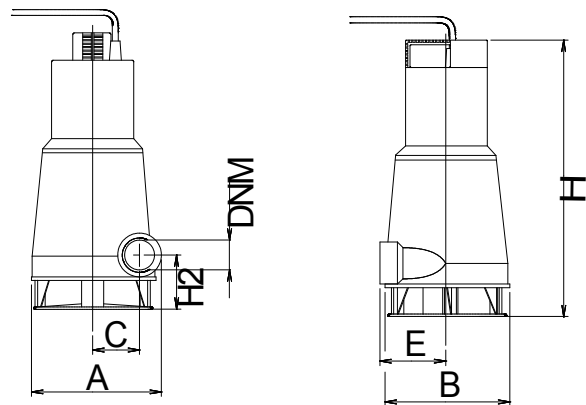
Curve tolerance according to ISO 9906

Hydraulic data (duty point)

Flow :

Head :

Materials

Pump body	Technopolymer
Impeller	Technopolymer
OR ring	NBR Rubber
Motor top body	AISI 304 X5 Cr Ni 1810 UNI 6900/71
Rotor shaft	AISI 416 X12 CrS 13 UNI 6900/71
Seeger ring	12E - UNI 7435 STAINLESS
Suction strainer	Technopolymer


Motor data
Weight : 6.7 kg

Motor brand :	DAB
Nominal power P2 :	0.55 kW
Rated speed :	2850 rpm
Rated voltage :	1~ 220-240 V
Nominal current :	4.3 A
Degree of protection :	IP 68

50 Hz

Dimensions in mm

Dimension	Value	Unit				
A	162	mm				
B	165	mm				
C	56	mm				
DNM	1" 1/4 G					
E	90	mm				
H	365	mm				
H2	70.5	mm				

Pump connection

Suction side :	/
Discharge side :	1" 1/4 G / --



WATER • TECHNOLOGY

PERFORMANCE CURVES

25/01/2017

Page 2 / 3

DAB PUMPS S.p.A.
Via Marco Polo, 14 - 35035 Mestrino (PD), Italy
Tel. +39 049 5125000 - Fax +39 049 5125950
www.dabpumps.com

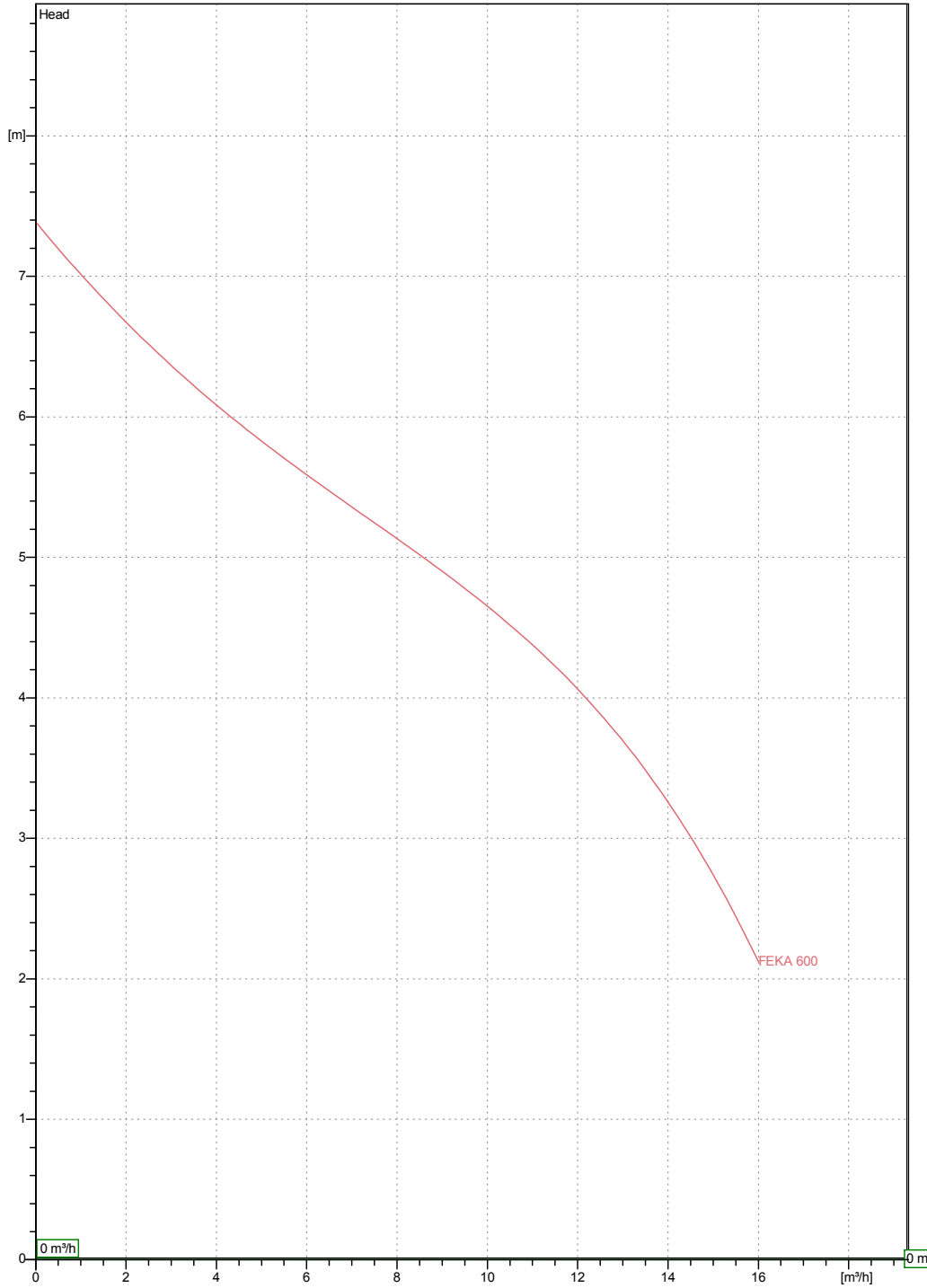
Receiver

From

Society
Reference
Address
Phone
Fax
E-mail

FEKA 600 M-NA

Curve tolerance according to ISO 9906



Hydraulic data (duty point)

Suction side :	Discharge side : 1 " 1/4 G --	Flow : 0 m³/h	Head : 0 m	Rated speed : 2850 rpm
Project	Project ID	Created by	Created on 25/01/2017	



WATER • TECHNOLOGY

DIMENSIONAL DRAWING

25/01/2017

Page 3 / 3

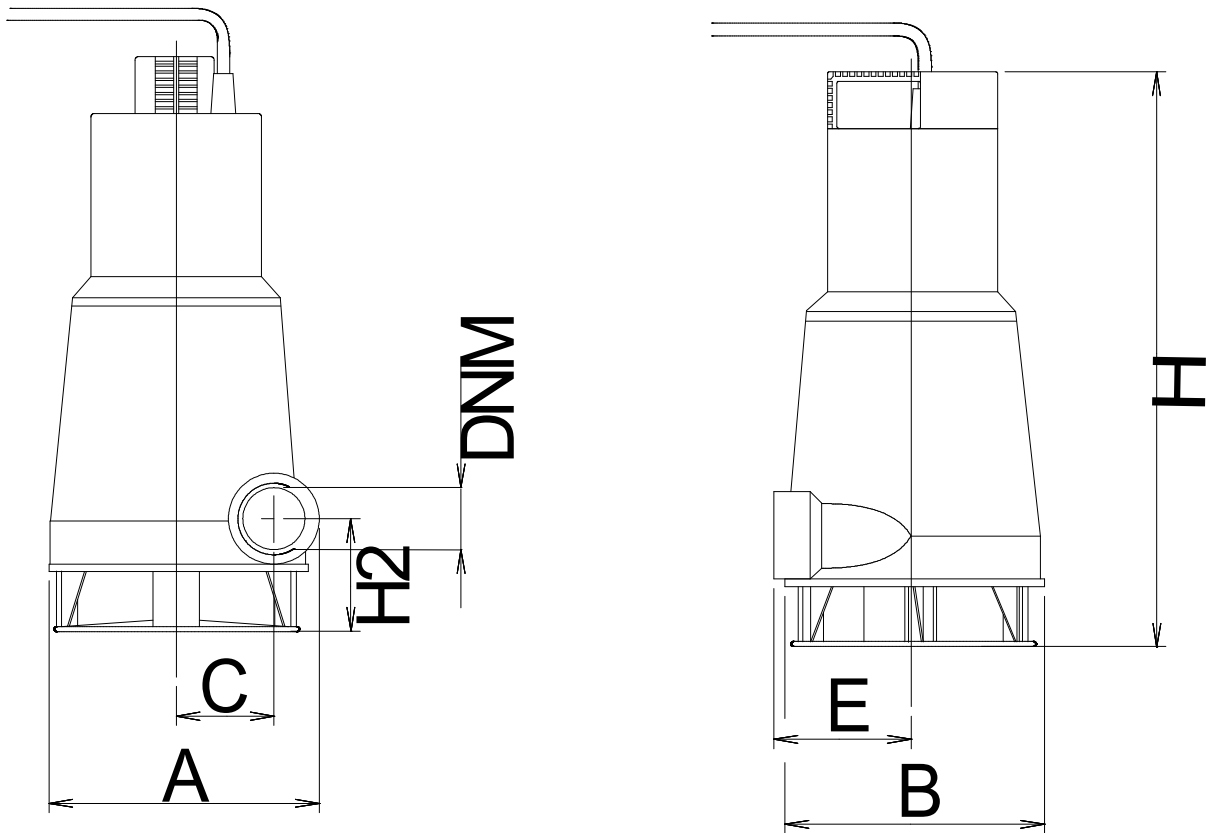
DAB PUMPS S.p.A.
Via Marco Polo, 14 - 35035 Mestrino (PD), Italy
Tel. +39 049 5125000 - Fax +39 049 5125950
www.dabpumps.com

Receiver

From

Society
Reference
Address
Phone
Fax
E-mail

FEKA 600 M-NA



Dimensions in mm

1	A	162
2	B	165
3	C	56
4	DNM	1" 1/4 G
5	E	90
6	H	365
7	H2	70.5

Pump connection

Suction

Discharge
1" 1/4 G

-

Project

Project ID

Created by

Created on

25/01/2017