

Receiver
From

 Society
 Reference
 Address
 Phone
 Fax
 E-mail

Item n° :
Model :

3 ESYBOX MAX 85/120 T

Pump data

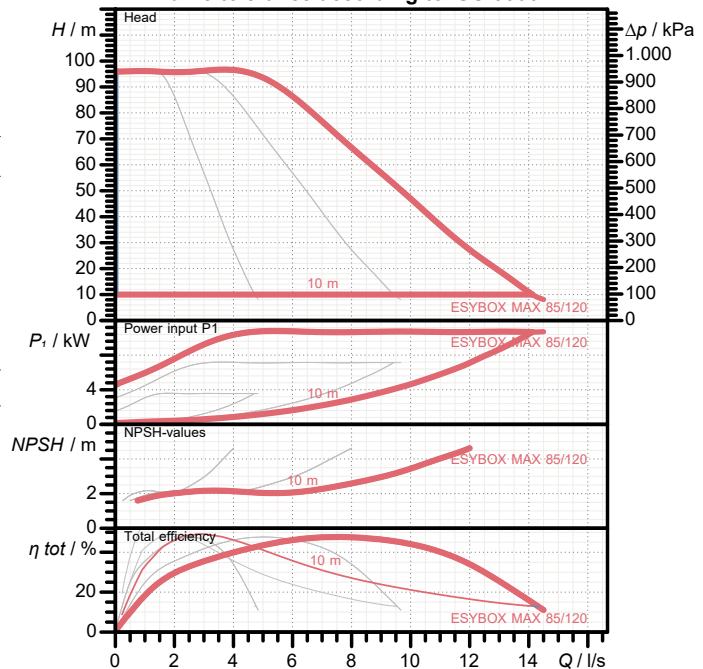
 Pressure rating : 12 bar (1200 KPa)
 Constant pressure range: 1-12 bar (3 bar by default)
 Min. fluid temperature : 0 °C
 Max. fluid temperature : 50 °C
 Max. Ambient temperature : 55 °C

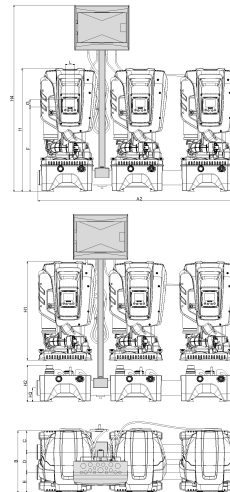
Requested data

 Flow :
 Head :
 Fluid : Water
 Fluid Temperature : 20 °C
 Density : 998,3 kg/m³
 Kinematic viscosity : 1,005 mm²/s
 Vapor pressure : 2,34 kPa

Materials

Fitting	Technopolymer PA66 30%GF
Manifold	Stainless Steel AISI 304
Flange	Technopolymer PA66 30%GF
Pump body	Technopolymer PA66 30%GF
Pump body ring	Technopolymer PP 30%GF
Impeller	Technopolymer PP 30%GF/AISI 304
Diffuser	Technopolymer PP 30%GF/AISI 304
Motor axis	Stainless Steel AISI 303
OR ring	EPDM
Motor flange	Technopolymer PA66 30%GF
Mechanical seal	Impregnated carbon-resin/Silicon carbide/EPDM
Motor liner	Stainless Steel AISI 304
Motor body	Technopolymer PA66 30%GF
Conveyor tube	Technopolymer PP 30%GF
Pressure sensor	Nylon/EPDM
Non-return valve	POM/EPDM/AISI 302
Non-return valve body	Technopolymer PA66 30%GF
Tank	Noryl/Rubber
Delivery body	Technopolymer PA66 30%GF
Outer liner	Stainless Steel AISI 304

Curve tolerance according to ISO 9906

Hydraulic data (duty point)

 Flow :
 Head :


*Without the pillar kit and panel, do not consider the H4

Dimensions in mm

A2	1.250	E	127,7	H3	87		
B	384	F	526	H4	1.158*		
C	131,8	G	45	L	59,5		
D	124,5	H	766				
DNA	2"	H1	613				
DNM	2"	H2	228				

Weight : 117 kg

Pump connection

 Suction side : 2" G / 12 bar (1200 KPa)
 Discharge side : 2" G / 12 bar (1200 KPa)

Motor data

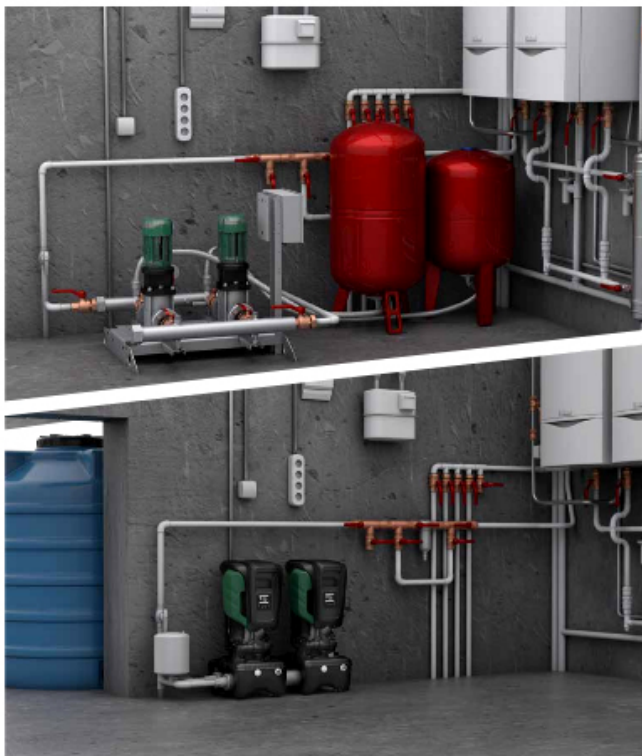
 Power input P1 : 3 x 3,5 kW
 Maximum speed : 5.350 1/min
 Rated voltage : 3~ 380-460 V 50 Hz
 Nominal current : 3 x 5,5 A
 Degree of protection : IP X5

ENERGY SAVING

BEFORE

AFTER

- **20%**
Compared with
traditional inverter pump



D+CONNECT
BUILT-IN



As quick as a "click"



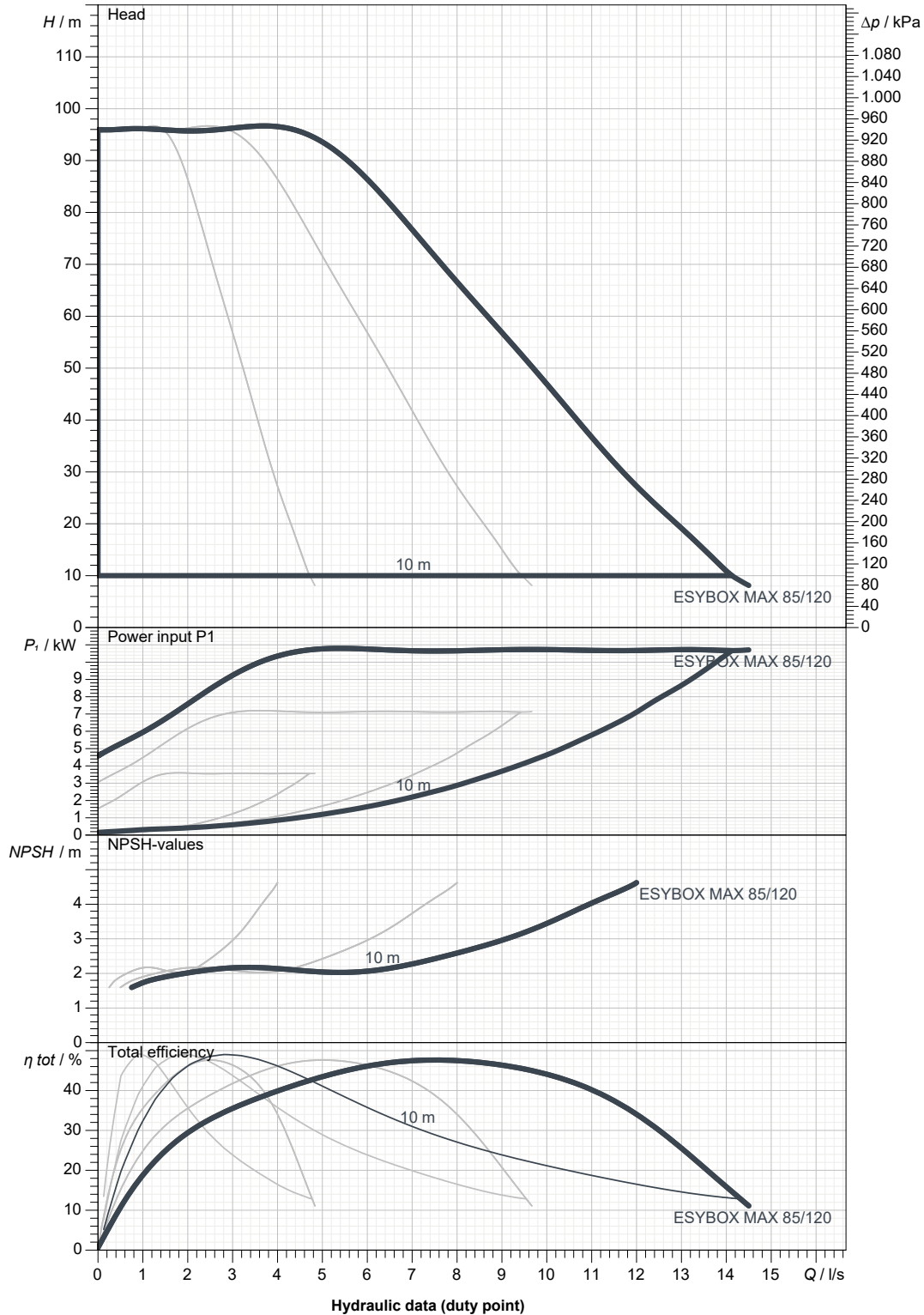
Receiver

From

 Society
 Reference
 Address
 Phone
 Fax
 E-mail

3 ESYBOX MAX 85/120 T

Curve tolerance according to ISO 9906


 Suction side :
 2" G
 12 bar (1200 KPa)

 Discharge side :
 2" G
 12 bar (1200 KPa)

Flow :

Head :

 Rated speed :
 5.350 1/min

MAIN_PROJECT_TITLE

BUSINESS_PROCESS_ID

OWNER_

ISSUE_DATE

2021-12-16



DIMENSIONAL DRAWING

2021-12-16

Page 4 / 4

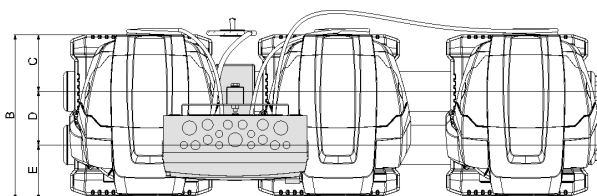
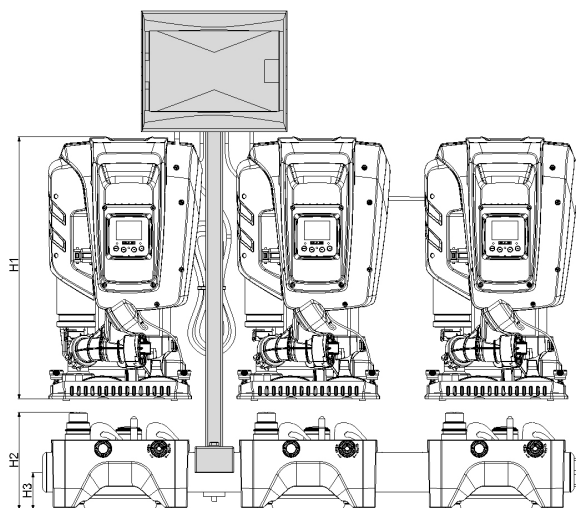
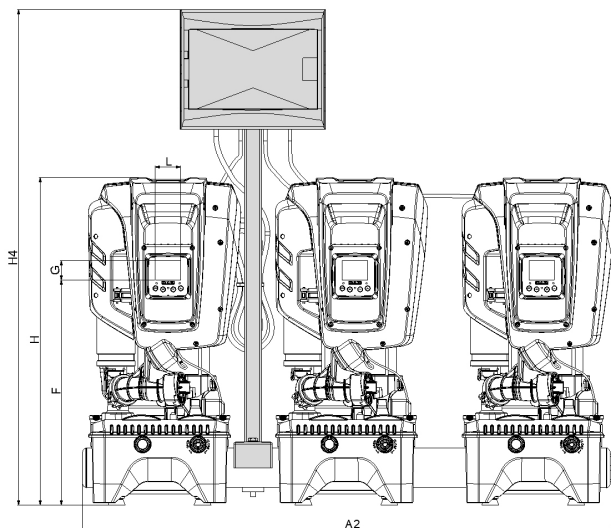
DAB PUMPS S.p.A.
Via Marco Polo, 14 - 35035 Mestrino (PD), Ital
Tel. +39 049 5125000 - Fax +39 049 5125950
www.dabpumps.com

Receiver

From

Society
Reference
Address
Phone
Fax
E-mail

3 ESYBOX MAX 85/120 T



*Without the pillar kit and panel, do not consider the H4

Dimensions in mm

1	A2	1.250
2	B	384
3	C	131,8
4	D	124,5
5	DNA	2"
6	DNM	2"
7	E	127,7
8	F	526
9	G	45
10	H	766
11	H1	613

H2	228
H3	87
H4	1.158*
L	59,5

Pump connection

Suction
2" G
12 bar (1200 KPa)

Discharge
2" G
12 bar (1200 KPa)

MAIN_PROJECT_TITLE

BUSINESS_PROCESS_ID

OWNER_

ISSUE_DATE

2021-12-16