

Receiver

From

Society
Reference
Address
Phone
Fax
E-mail

Item n° :

Model :

2 ESYBOX MAX 60/120 M

Pump data

Pressure rating : 12 bar (1200 KPa)
Constant pressure range: 1-12 bar (3 bar by default)
Min. fluid temperature : 0 °C
Max. fluid temperature : 50 °C
Max. Ambient temperature : 55 °C

Requested data

Flow :
Head :
Fluid : Water
Fluid Temperature : 20 °C
Density : 998,3 kg/m³
Kinematic viscosity : 1,005 mm²/s
Vapor pressure : 2,34 kPa

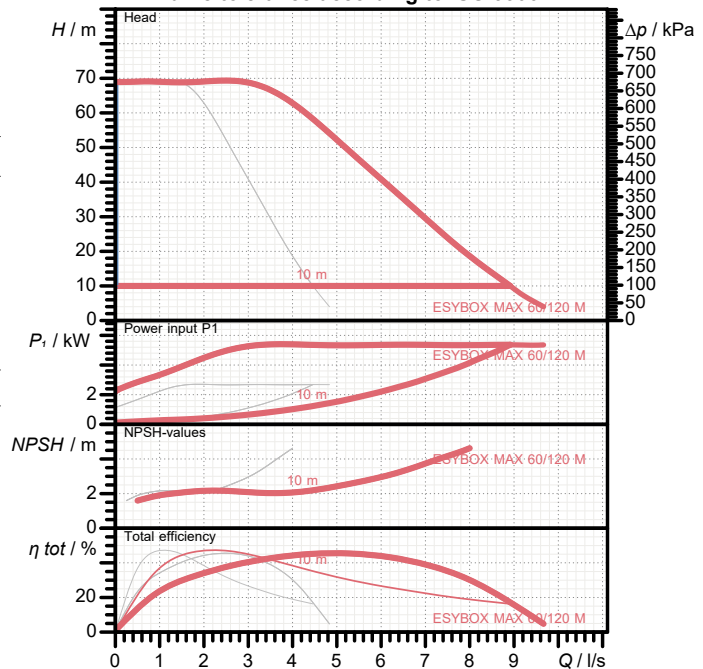
Materials

Fitting Technopolymer PA66 30%GF
Manifold Stainless Steel AISI 304
Flange Technopolymer PA66 30%GF
Pump body Technopolymer PA66 30%GF
Pump body ring Technopolymer PP 30%GF
Impeller Technopolymer PP 30%GF/AISI 304
Diffuser Technopolymer PP 30%GF/AISI 304
Motor axis Stainless Steel AISI 303
OR ring EPDM
Motor flange Technopolymer PA66 30%GF
Mechanical seal Impregnated carbon-resin/Silicon carbide/EPDM
Motor liner Stainless Steel AISI 304
Motor body Technopolymer PA66 30%GF
Conveyor tube Technopolymer PP 30%GF
Pressure sensor Nylon/EPDM
Non-return valve POM/EPDM/AISI 302
Non-return valve body Technopolymer PA66 30%GF
Tank Noryl/Rubber
Delivery body Technopolymer PA66 30%GF
Outer liner Stainless Steel AISI 304

Motor data

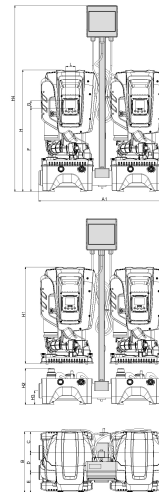
Power input P1 : 2 x 2,68 kW
Maximum speed : 5.240 1/min
Rated voltage : 1~ 208-240 V 50 Hz
Nominal current : 2 x 11,7 A
Degree of protection : IP X5

Curve tolerance according to ISO 9906



Hydraulic data (duty point)

Flow :
Head :



*Without the pillar kit and panel, do not consider the H4

Dimensions in mm

A1	811	E	127,7	H3	87		
B	384	F	526	H4	1.172*		
C	131,8	G	45	L	59,5		
D	124,5	H	766				
DNA	2"	H1	613				
DNM	2"	H2	228				

Weight : 76 kg

Pump connection

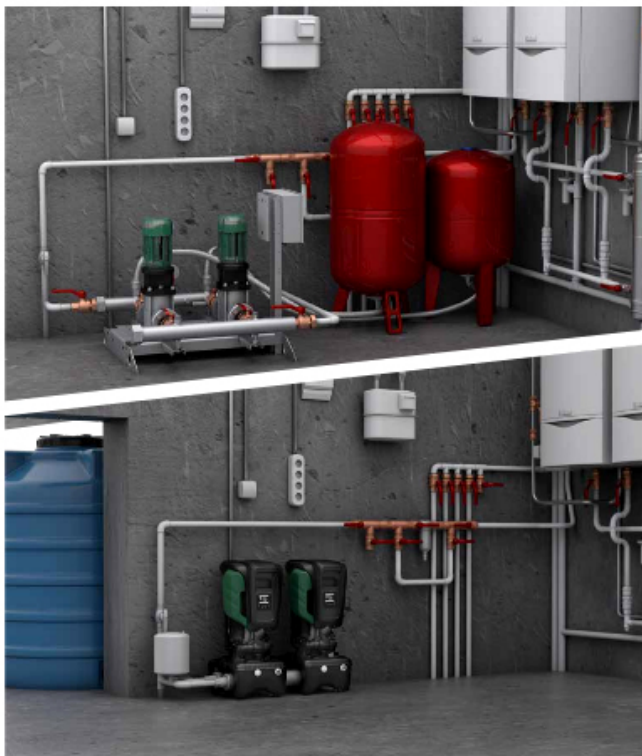
Suction side : 2" G / 12 bar (1200 KPa)
Discharge side : 2" G / 12 bar (1200 KPa)

ENERGY SAVING

BEFORE

AFTER

- 20%
Compared with
traditional inverter pump



D+CONNECT
BUILT-IN



As quick as a "click"



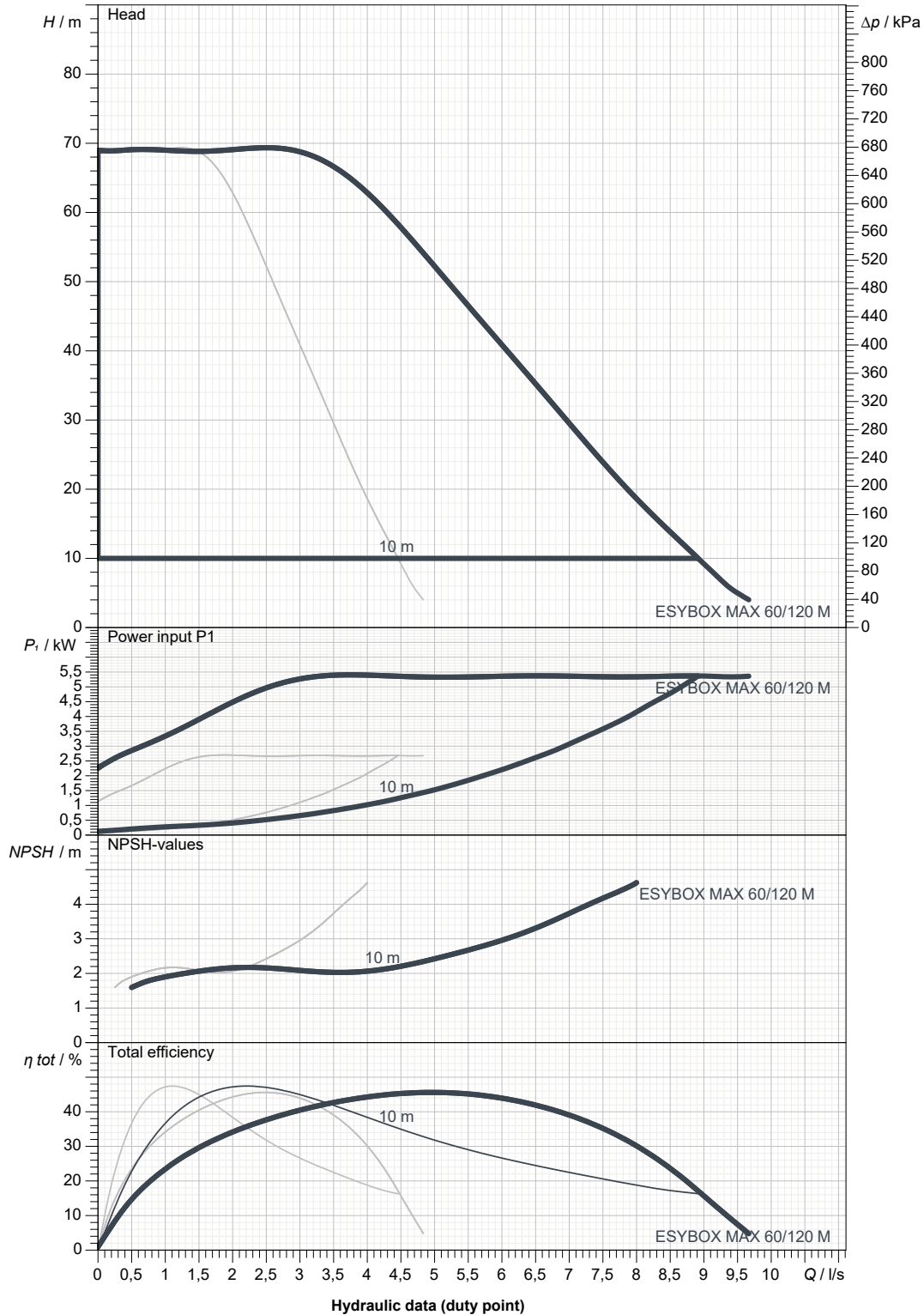
Receiver

From

 Society
 Reference
 Address
 Phone
 Fax
 E-mail

2 ESYBOX MAX 60/120 M

Curve tolerance according to ISO 9906



Suction side : 2" G 12 bar (1200 KPa)	Discharge side : 2" G 12 bar (1200 KPa)	Flow :	Head :	Rated speed : 5.240 1/min
MAIN_PROJECT_TITLE	BUSINESS_PROCESS_ID	OWNER_	ISSUE_DATE 2021-12-16	



DIMENSIONAL DRAWING

2021-12-16

Page 4 / 4

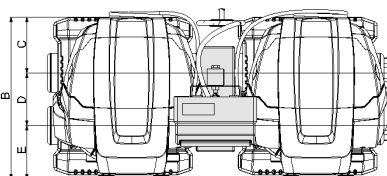
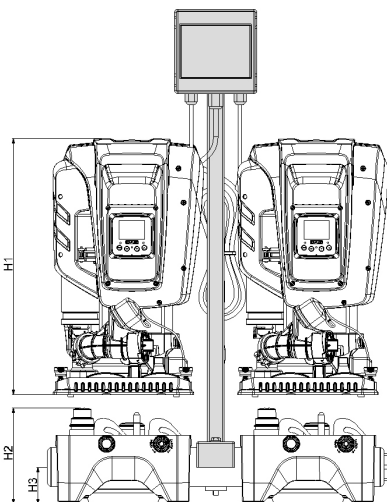
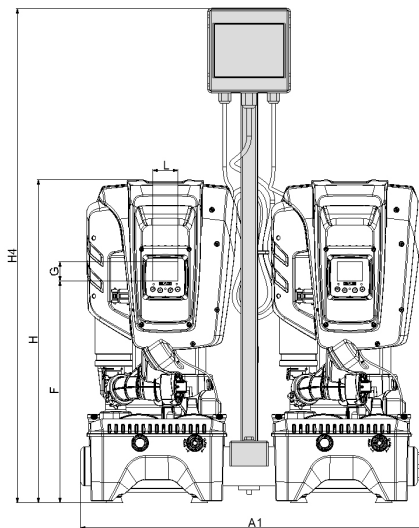
DAB PUMPS S.p.A.
Via Marco Polo, 14 - 35035 Mestrino (PD), Ital
Tel. +39 049 5125000 - Fax +39 049 5125950
www.dabpumps.com

Receiver

From

Society
Reference
Address
Phone
Fax
E-mail

2 ESYBOX MAX 60/120 M



*Without the pillar kit and panel, do not consider the H4

Dimensions in mm					Pump connection
1	A1	811	H2	228	Suction 2" G 12 bar (1200 KPa) Discharge 2" G 12 bar (1200 KPa)
2	B	384	H3	87	
3	C	131,8	H4	1.172*	
4	D	124,5	L	59,5	
5	DNA	2"			
6	DNM	2"			
7	E	127,7			
8	F	526			
9	G	45			
10	H	766			
11	H1	613			

MAIN_PROJECT_TITLE	BUSINESS_PROCESS_ID	OWNER_	ISSUE_DATE 2021-12-16
--------------------	---------------------	--------	---------------------------------