

Receiver
From

 Society
 Reference
 Address
 Phone
 Fax
 E-mail

Item n° :
Model :

1 ESYBOX MAX 85/120 T

Pump data

 Pressure rating : 12 bar (1200 KPa)
 Constant pressure range: 1-12 bar (3 bar by default)
 Min. fluid temperature : 0 °C
 Max. fluid temperature : 50 °C
 Max. Ambient temperature : 55 °C

Requested data

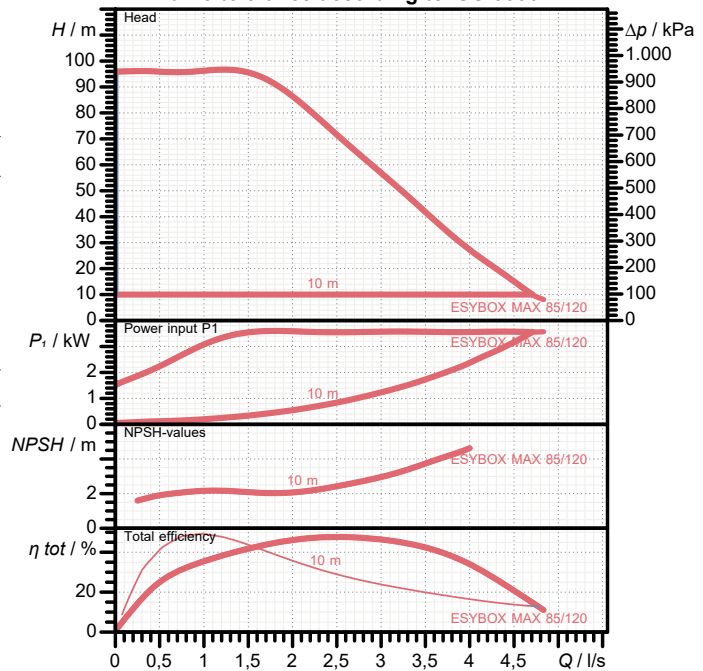
 Flow :
 Head :
 Fluid : Water
 Fluid Temperature : 20 °C
 Density : 998,3 kg/m³
 Kinematic viscosity : 1,005 mm²/s
 Vapor pressure : 2,34 kPa

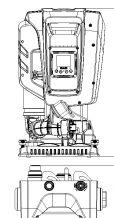
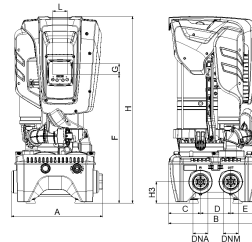
Materials

Fitting	Technopolymer PA66 30%GF
Manifold	Stainless Steel AISI 304
Flange	Technopolymer PA66 30%GF
Pump body	Technopolymer PA66 30%GF
Pump body ring	Technopolymer PP 30%GF
Impeller	Technopolymer PP 30%GF/AISI 304
Diffuser	Technopolymer PP 30%GF/AISI 304
Motor axis	Stainless Steel AISI 303
OR ring	EPDM
Motor flange	Technopolymer PA66 30%GF
Mechanical seal	Impregnated carbon-resin/Silicon carbide/EPDM
Motor liner	Stainless Steel AISI 304
Motor body	Technopolymer PA66 30%GF
Conveyor tube	Technopolymer PP 30%GF
Pressure sensor	Nylon/EPDM
Non-return valve	POM/EPDM/AISI 302
Non-return valve body	Technopolymer PA66 30%GF
Tank	Noryl/Rubber
Delivery body	Technopolymer PA66 30%GF
Outer liner	Stainless Steel AISI 304

Motor data

 Power input P1 : 1 x 3,5 kW
 Maximum speed : 5.350 1/min
 Rated voltage : 3~ 380-460 V 50 Hz
 Nominal current : 1 x 5,5 A
 Degree of protection : IP X5

Curve tolerance according to ISO 9906

Hydraulic data (duty point)

 Flow :
 Head :

Dimensions in mm

A	375	E	127,7	H3	87		
B	384	F	526	L	59,5		
C	131,8	G	45				
D	124,5	H	766				
DNA	1"1/4 -	H1	613				
DNM	1"1/4 -	H2	228				

Weight : 39 kg

Pump connection

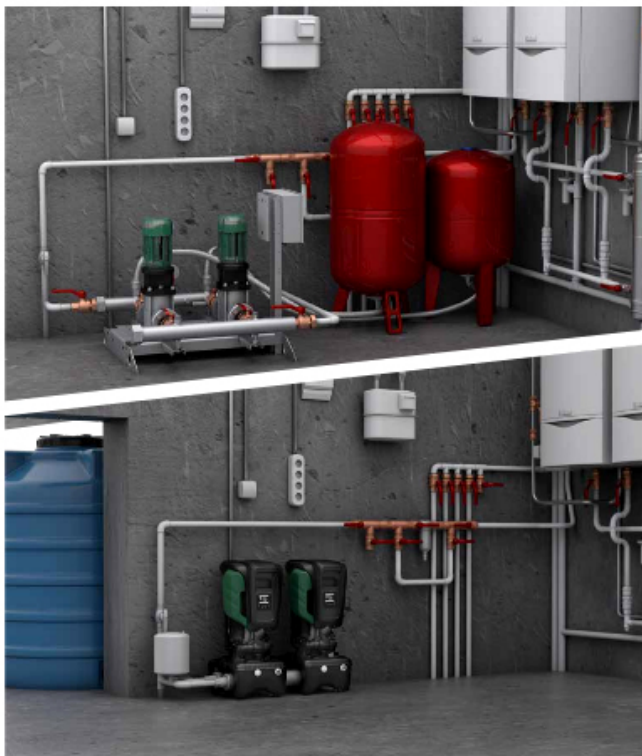
 Suction side : 1"1/4 - 2" G / 12 bar (1200 KPa)
 Discharge side : 1"1/4 - 2" G / 12 bar (1200 KPa)

ENERGY SAVING

BEFORE

AFTER

- 20%
Compared with
traditional inverter pump



D+CONNECT
BUILT-IN



As quick as a "click"



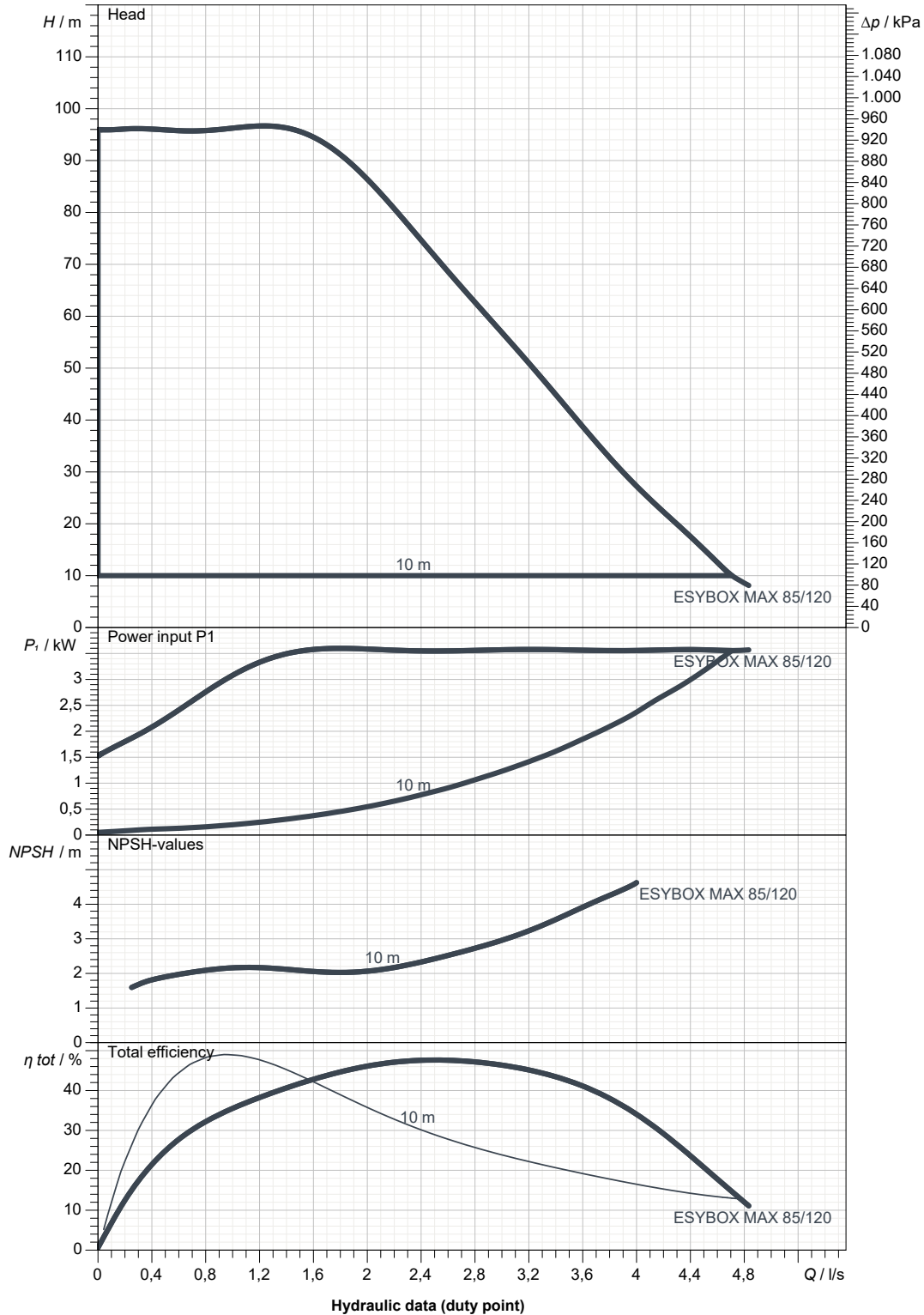
Receiver

From

 Society
 Reference
 Address
 Phone
 Fax
 E-mail

1 ESYBOX MAX 85/120 T

Curve tolerance according to ISO 9906


 Suction side :
 1"1/4 - 2" G
 12 bar (1200 KPa)

 Discharge side :
 1"1/4 - 2" G
 12 bar (1200 KPa)

Flow :

Head :

 Rated speed :
 5.350 1/min

MAIN_PROJECT_TITLE

BUSINESS_PROCESS_ID

OWNER_

 ISSUE_DATE
 2021-12-16



DIMENSIONAL DRAWING

2021-12-16

Page 4 / 4

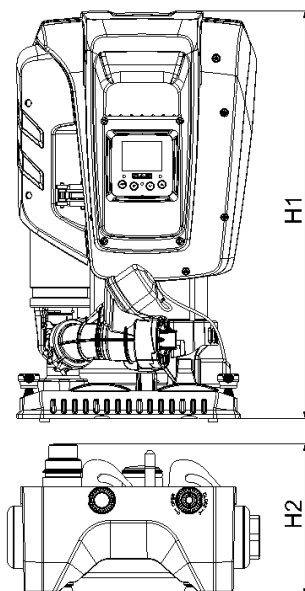
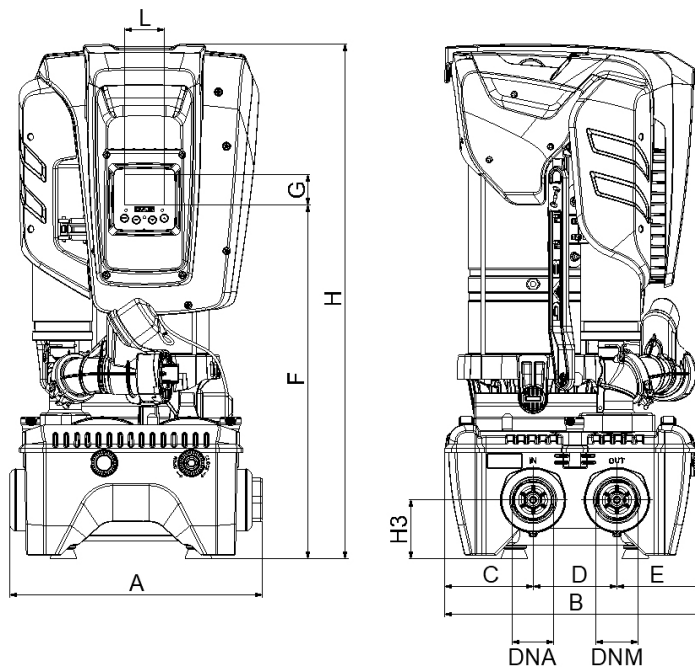
DAB PUMPS S.p.A.
Via Marco Polo, 14 - 35035 Mestrino (PD), Ital
Tel. +39 049 5125000 - Fax +39 049 5125950
www.dabpumps.com

Receiver

From

Society
Reference
Address
Phone
Fax
E-mail

1 ESYBOX MAX 85/120 T



Dimensions in mm

Pump connection

1	A	375	H2	228							
2	B	384	H3	87							
3	C	131,8	L	59,5							
4	D	124,5									
5	DNA	1"1/4 - 2"									
6	DNM	1"1/4 - 2"									
7	E	127,7									
8	F	526									
9	G	45									
10	H	766									
11	H1	613									

Suction
1"1/4 - 2" G
12 bar (1200 KPa)

Discharge
1"1/4 - 2" G
12 bar (1200 KPa)

MAIN_PROJECT_TITLE

BUSINESS_PROCESS_ID

OWNER_

ISSUE_DATE

2021-12-16