

NEW



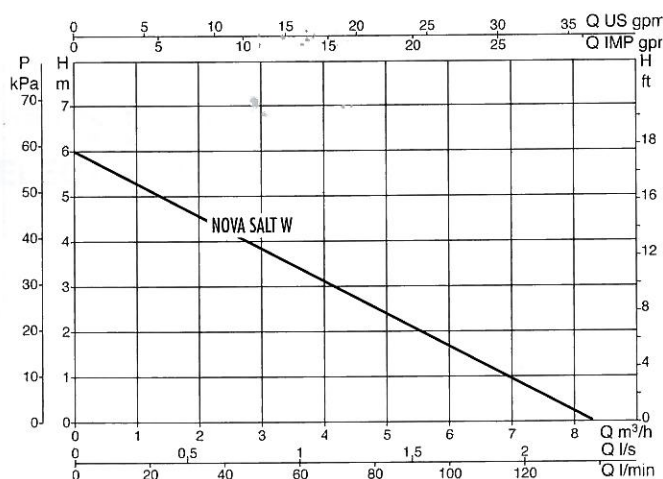
NOVA SALT W PUMPS FOR SALT WATER

The Nova Salt W M-A is a multi-purpose submersible pump specifically constructed for use in **salt water**.

Anti-corrosive and rust-proof materials.
Motor casing, shaft, screws and nuts made of stainless steel AISI 316.
Cable with tin plated conductors.
Motor with thermic overload protection.

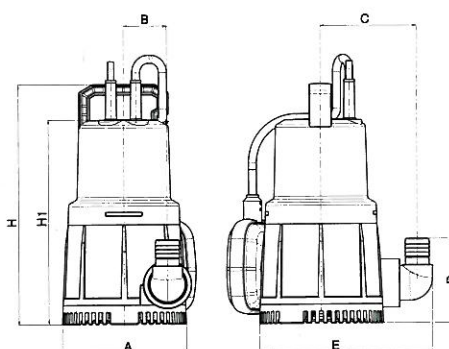
Wear resistant shaft and impeller.
Excellent cooling of the motor that enables the pump to operate even when it is partially submerged.
Manual and Automatic version with start/ stop float switch.
Supplied with power cable with plug and self-sealing fitting.

ELECTRICAL AND HYDRAULIC DATA



MODEL	VOLTAGE 50 Hz	P2 NOMINAL		Ø	CABLE LENGHT m.	Q m³/h	H m
		kW	HP				
NOVA SALT W M-A	1 x 230V	0,2	0,28	1 1/4"	10	0,5-7,2	7-2

DIMENSIONS AND WEIGHT



MODEL	A	B	C	D	E	H	H1	PACKAGING DIM. m³	GROSS WEIGHT Kg
NOVA SALT W M-A	140	48	107	95	195	270	230	0,005	3,9