

# Clarke®



**750W SUBMERSIBLE PUMP WITH BUILT-IN  
FLOAT SWITCH**

**MODEL NO: PSV5A**

PART NO: 7236046

**OPERATION & MAINTENANCE  
INSTRUCTIONS**



LS0216

---

## INTRODUCTION

---

Thank you for purchasing this CLARKE 750W Submersible pump with built-in float switch.

This pump is designed for pumping clean water and water containing solid bodies (max 35mm in diameter). **It is NOT designed for pumping slurry, sludge, mud or heavily polluted water, or any water containing chemicals or other acidic contaminants including salt water.**

---

## GUARANTEE

---

This product is guaranteed against faulty manufacture for a period of 12 months from the date of purchase. Please keep your receipt which will be required as proof of purchase.

This guarantee is invalid if the product is found to have been abused or tampered with in any way, or not used for the purpose for which it was intended.

Faulty goods should be returned to their place of purchase, no product can be returned to us without prior permission.

This guarantee does not effect your statutory rights.

---

## ENVIRONMENTAL RECYCLING POLICY

---



Through purchase of this product, the customer is taking on the obligation to deal with the WEEE in accordance with the WEEE regulations in relation to the treatment, recycling & recovery and environmentally sound disposal of the WEEE.

In effect, this means that this product must not be disposed of with general household waste. It must be disposed of according to the laws governing Waste Electrical and Electronic Equipment (WEEE) at a recognised disposal facility.

---

## OVERLOAD SWITCH

---

These pumps are fitted with a thermal overload switch. If the pump overheats for any reason, it will automatically switch the pump OFF. Once the pump has cooled (at least 5-10 minutes), the pump will automatically restart.

---

# SAFETY INSTRUCTIONS

---

## GENERAL

1. Read all instructions before use and save these instructions for future use.
2. An approved residual current device (RCD) which has a tripping current of less than 30mA **MUST** be used for all operations.
3. The electrical supply must be the same as that on the rating plate.
4. Always make sure that your hands are dry when connecting or disconnecting from the mains supply.
5. Never pull the mains lead to disconnect the pump from the mains socket.
6. The mains plug must be kept away from the water at all times.
7. Do not allow children or unauthorised people to touch the pump, cables or connections.
8. Disconnect the pump from the mains supply when not in use.
9. If necessary have the pump repaired by a qualified person.
10. Keep the mains lead away from heat, oil and sharp edges.
11. If you have to use an extension lead with this product, it must be designed for outdoor use and incorporate a cable suitable for use with Class I appliances.
12. Disconnect the pump from the electrical supply and wear gloves during servicing or maintenance.

## PUMP SPECIFIC

1. Do not pump explosive / flammable liquids or chemicals.
2. Never allow the pump to run dry or operate out of the water.
3. Submersible pumps should always be submerged and stored vertically.
4. Disconnect the pump from the mains supply before placing it into or removing it from the water.
5. Always check the plug, and all cables for damage before use.
6. Do not use the pump if damaged. Refer to qualified service personnel for repair.
7. Never carry or lower the pump by the power cable always use the handle or a rope tied securely to the handle.
8. Never insert your fingers into the pump whilst it is connected to the mains.
9. Never use the submersible pump in a swimming pool when there are people or animals in the pool.
10. Keep the pump clear of any sediment by standing it on a platform or brick or suspending it at a suitable depth.
11. Do not use the pump if the water is liable to freeze, as this can cause damage to the pump. Remove the pump from the water and store it in a frost free location.

## ELECTRICAL CONNECTIONS



**WARNING: READ THESE ELECTRICAL SAFETY INSTRUCTIONS THOROUGHLY BEFORE CONNECTING THE PRODUCT TO THE MAINS SUPPLY.**

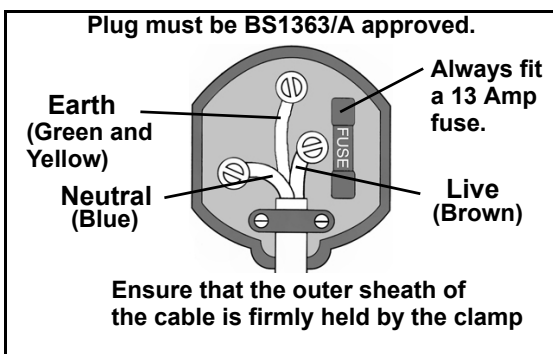
Connect the mains lead to a standard, 230 Volt (50Hz) electrical supply through an approved 13 amp BS 1363 plug, or a suitably fused isolator switch. If the plug has to be changed because it is not suitable for your socket, or because of damage, it must be removed and a replacement fitted, following the wiring instructions shown below. The old plug must be discarded safely, as insertion into a power socket could cause an electrical hazard.



**WARNING: THE WIRES IN THE POWER CABLE OF THIS PRODUCT ARE COLOURED IN ACCORDANCE WITH THE FOLLOWING CODE:  
BLUE = NEUTRAL    BROWN = LIVE    YELLOW AND GREEN = EARTH**

If the colours of the wires in the power cable do not agree with the markings on the plug.

- The BLUE wire must be connected to the terminal which is marked N or coloured black.
- The BROWN wire must be connected to the terminal which is marked L or coloured red.
- The YELLOW AND GREEN wire must be connected to the terminal which is marked E or  $\perp$  or coloured green.



**AN APPROVED RESIDUAL CURRENT DEVICE (RCD) WHICH HAS A TRIPPING CURRENT OF LESS THAN 30 mA MUST BE USED.**

If you are not sure, consult a qualified electrician. DO NOT try to do any repairs.

---

## ASSEMBLY

---

Remove all packaging and make sure that the unit has no visible damage. Dispose of all packaging appropriately.

### FITTING THE ELBOW

1. Screw the elbow into the outlet port as shown.
2. Connect a suitable hose (not supplied) to the pump outlet.
  - Suitable hoses are available from your local Clarke dealer.



### FITTING THE HOSE ADAPTOR

A 4 step adaptor is supplied.

The hose adaptor can be screwed onto the elbow if required.

1. Trim the adaptor to the required size.
  - Reducing the hose diameter will effect the maximum flow rate.
2. Connect a suitable hose (not supplied) to the pump outlet.
  - Suitable hoses are available from your local Clarke dealer.



---

## SETTING UP THE PUMP

---

### POSITIONING THE PUMP

1. Place the pump on a flat surface in the area that you want to drain.
  - If there is sediment in the operating area, the pump should be placed vertically on house bricks, or similar.
  - ALWAYS raise and lower the pump using a rope attached to the lifting handle.
  - Take all necessary precautions as described on page 3.

---

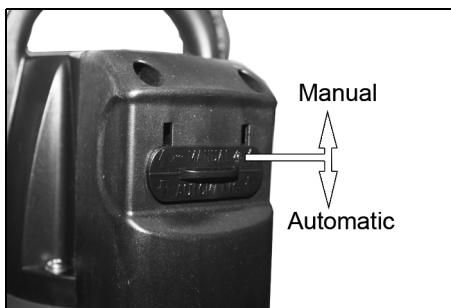
## OPERATING MODES

---

Set the mode switch to either Automatic (Down) or Manual (Up)

### AUTOMATIC OPERATION

The internal float switch will switch the pump on when the water level reaches approximately 165 mm and switch off when the water level drops to approximately 90 mm.



### MANUAL OPERATION

The pump will run continuously.

**NOTE:** *Keep watch and do not allow the pump to run dry*

---

## USING THE PUMP

---



**WARNING: CHECK THE PUMP FOR DAMAGE BEFORE USE, DO NOT USE THE PUMP IF IT IS DAMAGED IN ANY WAY.**

1. Connect the mains plug to the mains supply.
  - Always use a high sensitivity residual current device (RCD) which has a tripping current of less than 30 mA.
2. Switch the mains power supply on.
  - The pump will begin to drain water.
  - In Automatic mode, the internal float switch will turn off the pump when the water level drops to approximately 90 mm.
3. When pumping is finished, disconnect the pump from the mains power supply.

**IMPORTANT:** *Do not allow the pump to run dry.*

---

# MAINTENANCE

---



**WARNING: BEFORE CHECKING THE CONDITION OF THE PUMP, ENSURE IT IS UNPLUGGED FROM THE MAINS SUPPLY. IF THE UNIT IS HARD WIRED, ENSURE THE CIRCUIT BREAKER IS OPEN.**

---

This pump should require no maintenance other than regular cleaning.

If the pump starts to show signs of wear or damage, contact your CLARKE dealer for advice.

## CLEANING

1. Check the pump installation regularly to ensure the water inlet is clear of leaves or other debris.
2. Take extra care to remove any debris from around the impeller.

**NOTE:** Do not attempt to repair the pump yourself, as you may damage the waterproof seal and invalidate your guarantee. Repairs must be carried out by your CLARKE dealer, or contact the CLARKE Service Department, on 020 8988 7400.

## STORAGE

When the pump is not being used for extended periods, clean and dry it thoroughly and store in indoors. If the pump is left in water, it must be run at least once a week to prevent it from seizing up.

---

## SPECIFICATIONS

---

Voltage	230V~50Hz
Outlet Thread Diameter	1½" BSP
Power	750W
Maximum Head Height	8 m
Maximum Depth	7 m
Maximum Flow	217 l/min.
Maximum Water Temperature	35°C
Maximum Particle Size	35 mm
Weight	5.1 kg
Cable Length	10 m
Dimensions (D x W x H)	157 x 203 x 351 mm

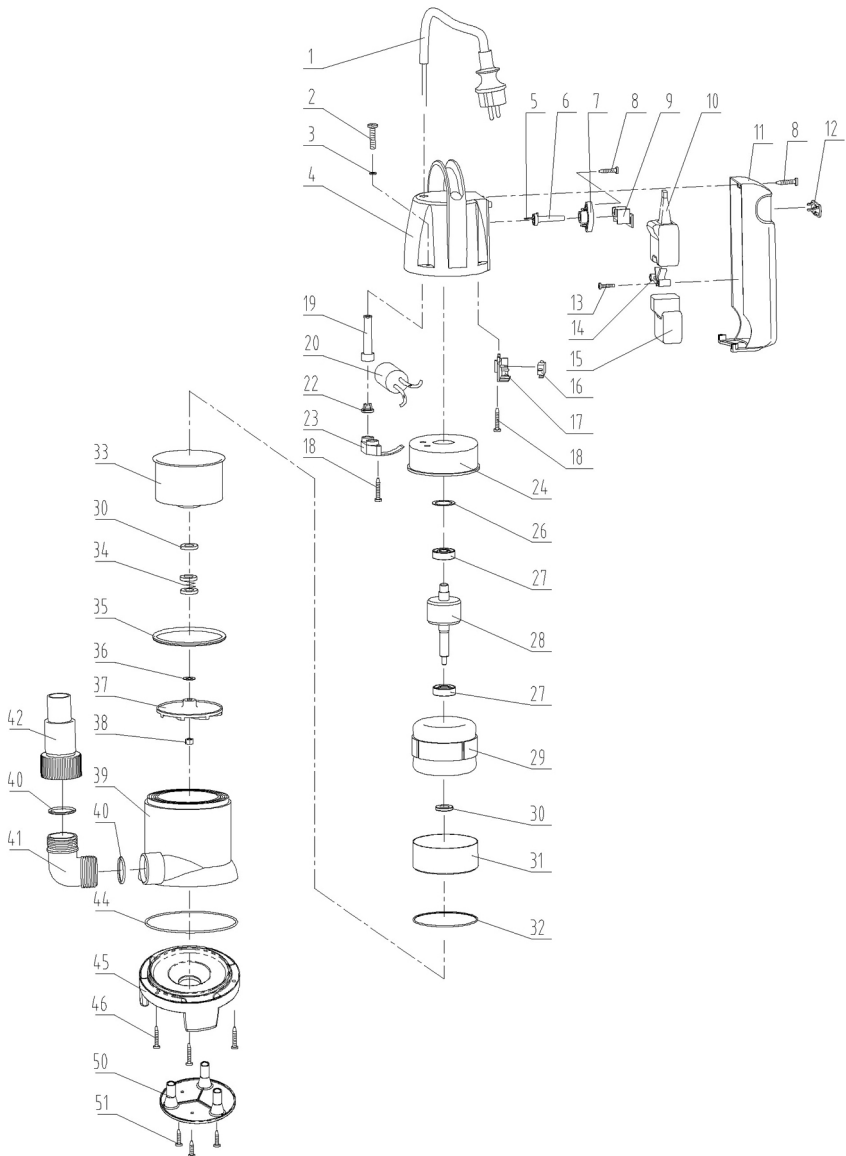
# TROUBLESHOOTING

PROBLEM	SOLUTION
PUMP WILL NOT START	<ol style="list-style-type: none"> <li>1. Make sure that the power is switched on.</li> <li>2. Check fuse (consult an electrician if in doubt).</li> <li>3. If an extension lead is fitted, check connections (consult an electrician if in doubt).</li> <li>4. Internal thermal cut-out has not re-set. Leave for 5-10 minutes and try again.</li> <li>5. The impeller may be jammed. Disconnect from the mains supply and remove any objects that may be obstructing the impeller.</li> <li>6. If the pump still fails to start, consult your CLARKE dealer for advice.</li> <li>7. Water level has dropped below the minimum of 90mm.</li> </ol>
PUMP WILL START BUT NOT PUMP	<ol style="list-style-type: none"> <li>1. Check that the inlet is not blocked.</li> <li>2. Check that the outlet is not clogged or obstructed.</li> <li>3. The head may be too great, i.e. you are trying to lift the water too great a distance for the pump to cope with. ("Specifications" on page 7).</li> <li>4. Air bubble in the pump, produced during immersion. immerse the pump again, at an angle, and shake it whilst lowering to remove any air trapped in the system.</li> <li>5. Impeller may be damaged - Consult your CLARKE dealer.</li> </ol>
PUMP WILL NOT STOP	<ol style="list-style-type: none"> <li>1. Pump set to manual mode.</li> <li>2. Internal float switch may be faulty. Consult your CLARKE dealer for advice.</li> </ol>
PUMP STOPS RUNNING	<ol style="list-style-type: none"> <li>1. Thermal overload has operated. Leave for 5-10 minutes and try again.</li> <li>2. Pump has run dry, or internal float switch has cut in.</li> <li>3. A foreign object has jammed the impeller.</li> </ol>

If this does not solve your problem, please contact the Clarke service department.



# PARTS LIST & DIAGRAM



## PARTS LIST

1	Power Cable and Plug	26	Wave Washer
2	Self Tapping Screw	27	Bearing
3	Gasket	28	Rotor
4	Rear Pump Housing	29	Stator
5	Deflector Rod	30	Skeleton Seal
6	Deflector Rod Sheath	31	Front Bushing
7	Deflector Rod Guide	32	O-Ring
8	Self Tapping Screw	33	Front Cover
9	Rear Deflector Rod	34	Mechanical Seal
10	Float	35	O-Ring
11	Shield	36	Adjustable Washer
12	Dial Block	37	Impeller
13	Self Tapping Screw	38	Nut
14	Lever	39	Main Pump Housing
15	Small Float	40	O-Ring
16	Micro Switch	41	Elbow
17	Switch Frame	42	Outlet Connector
18	Self Tapping Screw	44	O-Ring
19	Cable Sheath	45	Pump Base
20	8uf Capacitor	46	Self Tapping Screw
22	Cable Gland	50	Base Plate
23	Cable Block	51	Self Tapping Screw
24	Rear Cover		

Part number = (DHPSV5A + the number of the part)

# DECLARATION OF CONFORMITY



**Clarke**<sup>®</sup>  
**INTERNATIONAL**

Hemnal Street, Epping, Essex CM16 4LG

## DECLARATION OF CONFORMITY

**This is an important document and should be retained.**

**We hereby declare that this product(s) complies with the following directive(s):**

2004/108/EC *Electromagnetic Compatibility Directive.*

2006/95/EC *Low Voltage Equipment Directive.*

2011/65/EU *Restriction of Hazardous substances.*

**The following standards have been applied to the product(s):**

*EN 60335-1:2012, EN 60335-2-41:2003 +A1:2004 +A2:2010, EN 62233:2008, EN 61000-3-3:2008,*

*EN 55014-2:1997 +A1:2001 +A2:2008, EN 61000-3-2:2006 +A1:2009 +A2:2009,*

*EN 55014-1:2006 +A1:2009.*

The technical documentation required to demonstrate that the product(s) meet(s) the requirement(s) of the aforementioned directive(s) has been compiled and is available for inspection by the relevant enforcement authorities.

The CE mark was first applied in: 2012

<b>Product Description:</b>	Submersible/ Puddle pump(s)
<b>Model number(s):</b>	HIPPO5A, CSV4A, PSP105, PSP125B, PSV6A, PSV7A, PSV5A
<b>Serial / batch Number:</b>	N/A
<b>Date of Issue:</b>	24/03/2015

**Signed:**

J.A. Clarke  
Director

# A SELECTION FROM THE VAST RANGE OF

# Clarke®

## QUALITY PRODUCTS

### AIR COMPRESSORS

From DIY to industrial, Plus air tools, spray guns and accessories.

### GENERATORS

Prime duty or emergency standby for business, home and leisure.

### POWER WASHERS

Hot and cold, electric and engine driven - we have what you need

### WELDERS

Mig, Arc, Tig and Spot. From DIY to auto/industrial.

### METALWORKING

Drills, grinders and saws for DIY and professional use.

### WOODWORKING

Saws, sanders, lathes, mortisers and dust extraction.

### HYDRAULICS

Cranes, body repair kits, transmission jacks for all types of workshop use.

### WATER PUMPS

Submersible, electric and engine driven for DIY, agriculture and industry.

### POWERTOOLS

Angle grinders, cordless drill sets, saws and sanders.

### STARTERS/CHARGERS

All sizes for car and commercial use.



**PARTS & SERVICE: 0208 988 7400**

**E-mail: [Parts@clarkeinternational.com](mailto:Parts@clarkeinternational.com) or [Service@clarkeinternational.com](mailto:Service@clarkeinternational.com)**

**SALES: UK 01992 565333 or Export 00 44 (0)1992 565335**

**Clarke® INTERNATIONAL** Hemnall Street, Epping, Essex CM16 4LG  
[www.clarkeinternational.com](http://www.clarkeinternational.com)