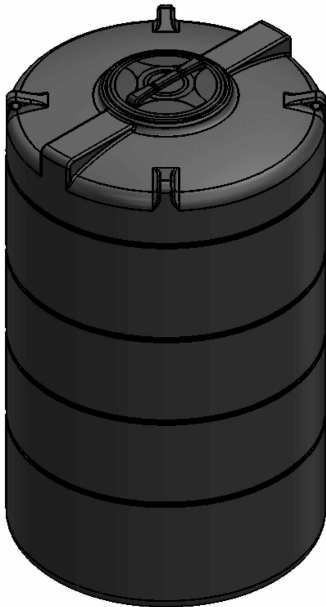


# Think Tank Think ENDURATANK

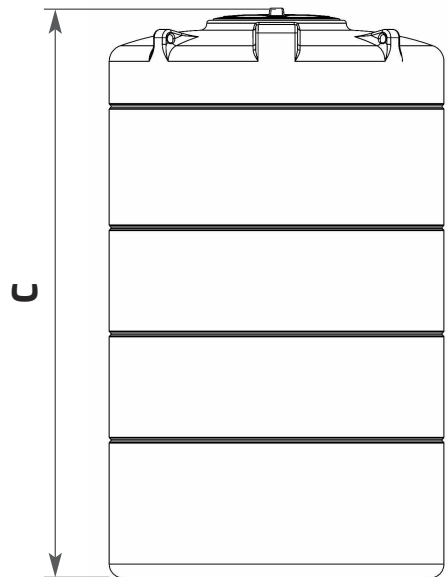
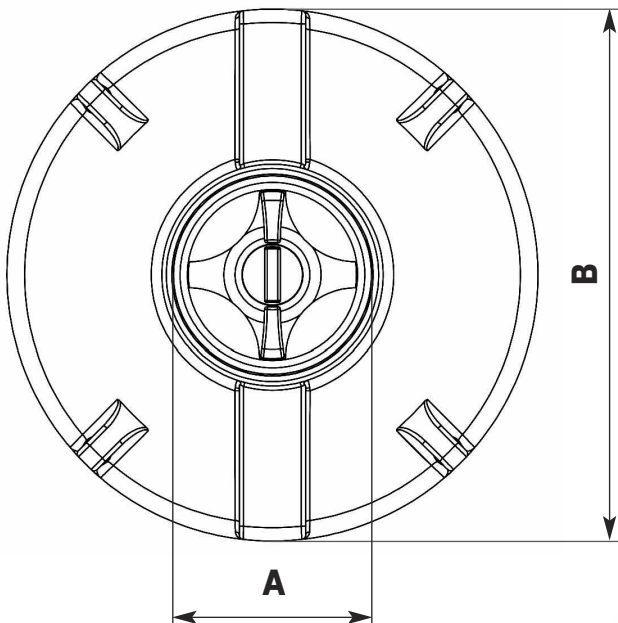
**NEED  
MORE HELP?  
CALL US ON  
01778  
562810**



## 1,500 LITRE WRAS APPROVED VERTICAL POTABLE WATER TANK TECHNICAL SPECIFICATION

CODE	172206		
CAPACITY (Litres)	1500	CAPACITY (Gallons)	329

A (mm)	455	B (mm)	1200
C (mm)	1720	Standard Outlet	1.5"



Please note:  
Tank sizes quoted are subject to a +/- 3% variation  
Drawings not to scale

**ENDURATANK<sup>®</sup>**  
A Division of ENDURAMAXX

© Enduramaxx 2018. Copyright of this drawing is reserved by Enduramaxx. The issue of this drawing is confidential disclosure of its contents, and is made conditional that it is neither disclosed to a third party, nor any item described herein and designed by Enduramaxx is produced either in whole or in part without the written consent of Enduramaxx.

Enduratank is a Registered Trading Name of Enduramaxx Limited



01778 562810    sales@enduratank.co.uk

Visit us at [www.enduratank.co.uk](http://www.enduratank.co.uk)