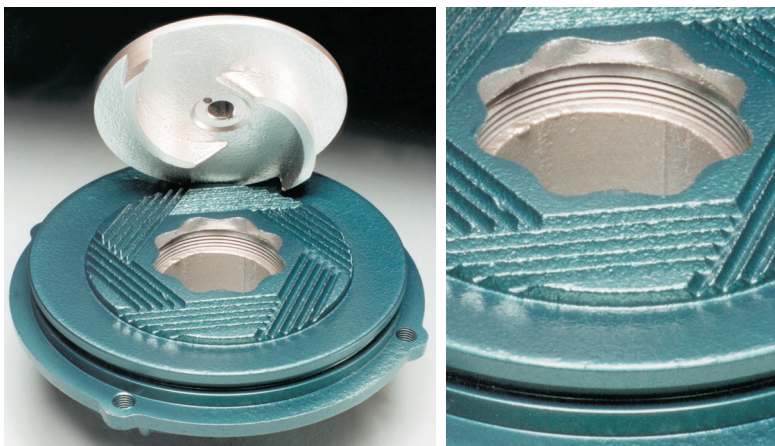


SUBMERSIBLE SEWAGE PUMPS

T-T 305 | T-T 505 | T-T 510



T-T 305, T-T 505 & T-T 510 PUMPS

T-T 305, T-T 505 & T-T 510 submersible pumps are designed for transferring sewage and effluent, and for dirty water drainage.

A shredding action is produced by the impeller rotating against a special serrated suction cover, and reduces any destructible matter to a manageable size for pumping, minimising the risk of blockage and allowing better efficiency and economy. These pumps are ruggedly built, with all major components of cast-iron for excellent wear resistance and a long, reliable life. Suitable for use in our Package Pumping Stations.

FEATURES

- Shredding action
- Cast-iron construction
- Mechanical shaft seals for motor protection
- Fully submersible
- Discharge size 80mm
- Free-standing and auto-coupling options

APPLICATIONS

Sewage Pumping Stations

Ideal for pumping stations serving single or multiple dwellings, industrial sites, pubs, hotels, clubs and other premises where pumping is required to a public sewer.

Sewage Works and Treatment Plants

Inexpensive pumps for dealing with relatively small flows in sewage works or treatment plants. Proven in service as excellent for efficient transfer, either in permanent installation, or for temporary or emergency use.

Farm Drainage

Robust pumps for farm drainage which may contain animal waste and suspended solids.

MATERIALS

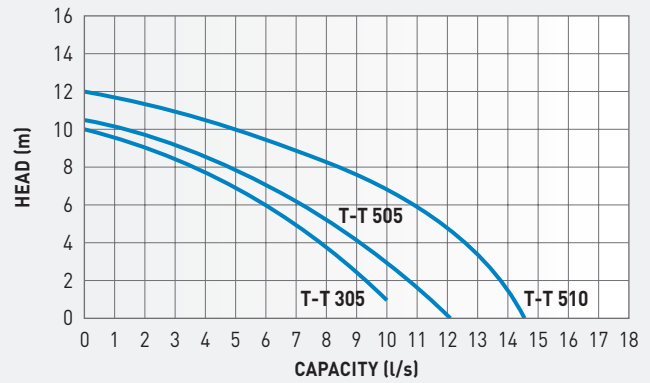
PUMP CASING: CAST IRON

MOTOR CASING: CAST IRON

IMPELLER: CAST IRON

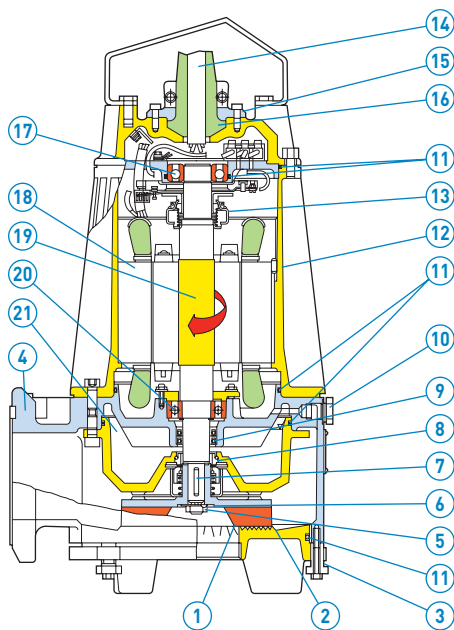
MECHANICAL SEAL: TUNGSTEN CARBIDE

CABLE: POLYCHLOROPRENE SHEATH H07 RNF



PUMP TYPE	T-T 305	T-T 505	T-T 510	MOTORS
Power Supply (50Hz)	230V/1Ph	230V/1Ph	400V/3Ph	400V/3Ph
Rated power at pump shaft	0.85kW	1.25kW	1.25kW	1.8kW
Full load current	7.6A	9.6A	2.6A	3.5A
RPM	2850	2880	2800	2810
Power cable no. of cores x mm ² - DOL Single 7-core cable, 1-core not used	4x1.5	4x1.5	4x1.5	4x1.5
	Thermostat Cable 2x1.5	2x1.5	2x1.5	2x1.5
Single 12-core cable, 3-cores not used	- ASD	-	-	7x1.5
	Thermostat Cable	-	-	2x1.5
				MOTORS Submersion: IP 58 Insulation: Class F Maximum liquid temp: 40°C Cable: H07 RNF x 10 metre Thermal protection: Thermostats wired for external control
				Starters/Control panels Starters/control panels available as extras

Type	Xmm	Ymm	Zmm	Weight Pump & Cable	Weight Free-Standing Base	Weight Auto-Coupling Base	Weight Guide Hook	Impeller Passage
T-T 305/1Ph	420	520	160	51kg	5kg	16kg	2kg	15mmØ
T-T 505/1Ph	450	550	160	55kg	5kg	16kg	2kg	15mmØ
T-T 505/3Ph	420	520	160	51kg	5kg	16kg	2kg	15mmØ
T-T 510/3Ph	420	520	160	55kg	5kg	16kg	2kg	15mmØ

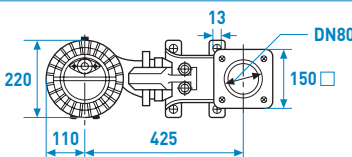
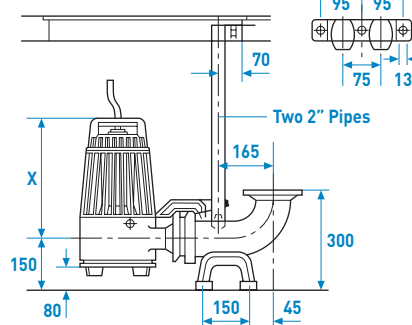


T-T PUMPS Ltd., Woore, Cheshire CW3 9RU

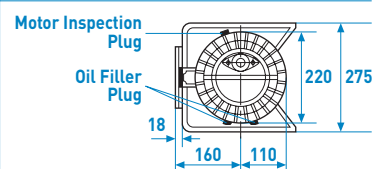
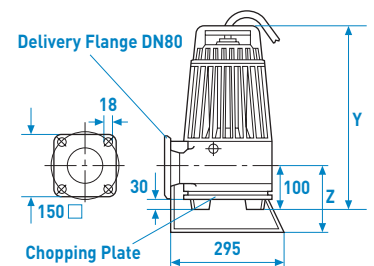
tel: 01630 647200 fax: 01630 642100 e-mail: response@ttpumps.com web: www.ttpumps.com

We reserve the right to amend specifications without prior notice. ©T-T Pumps Ltd., 2007. DATA 004: 05/2007.

AUTO-COUPLING



FREE-STANDING



PARTS

- | | | |
|--------------------------|-----------------------------|------------------|
| 1 Impeller | 8 Mechanical Seal | 15 Cable Gland |
| 2 Suction Cover | 9 Oil Seals | 16 Cable Sleeve |
| 3 Adjusting Screw & Bush | 10 Oil Plug | 17 Upper Bearing |
| 4 Pump Casing | 11 O-Ring | 18 Stator |
| 5 Impeller Nut | 12 Motor Casing | 19 Shaft/Rotor |
| 6 Impeller Washer | 13 Centrifugal Switch (1Ph) | 20 Lower Bearing |
| 7 Impeller Key | 14 Cable | 21 Oil |

Model shown is T-T 505 1Ph.
Other models may vary,
details on request.