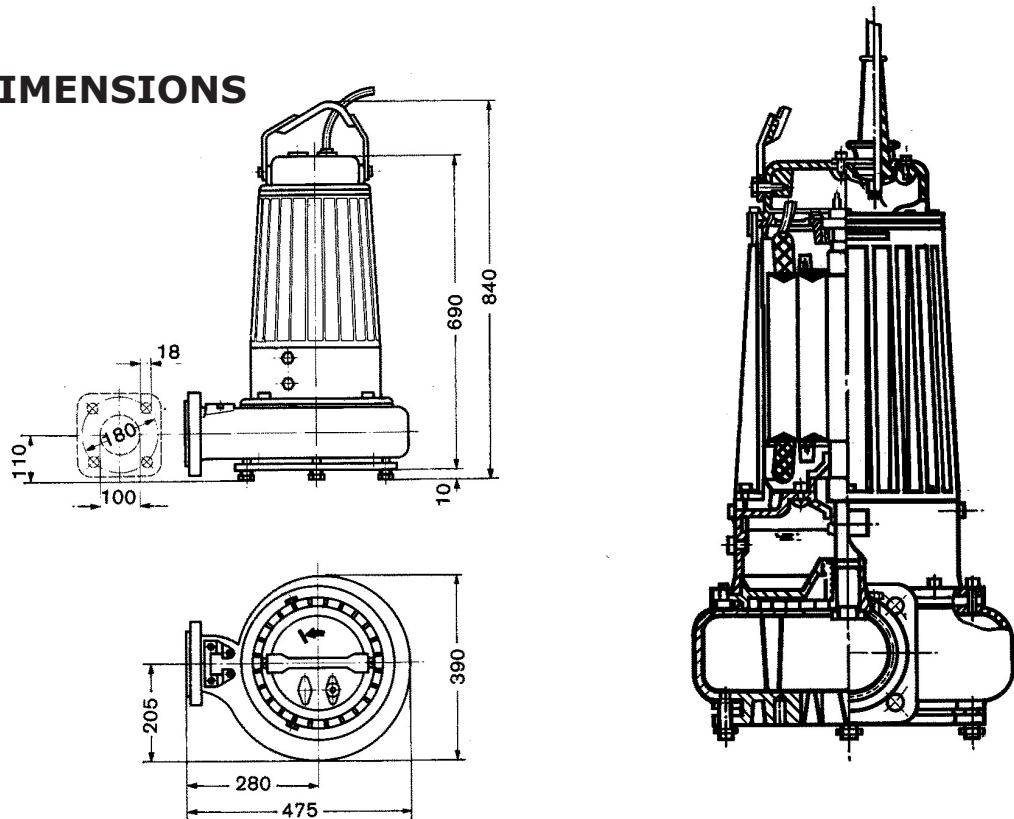


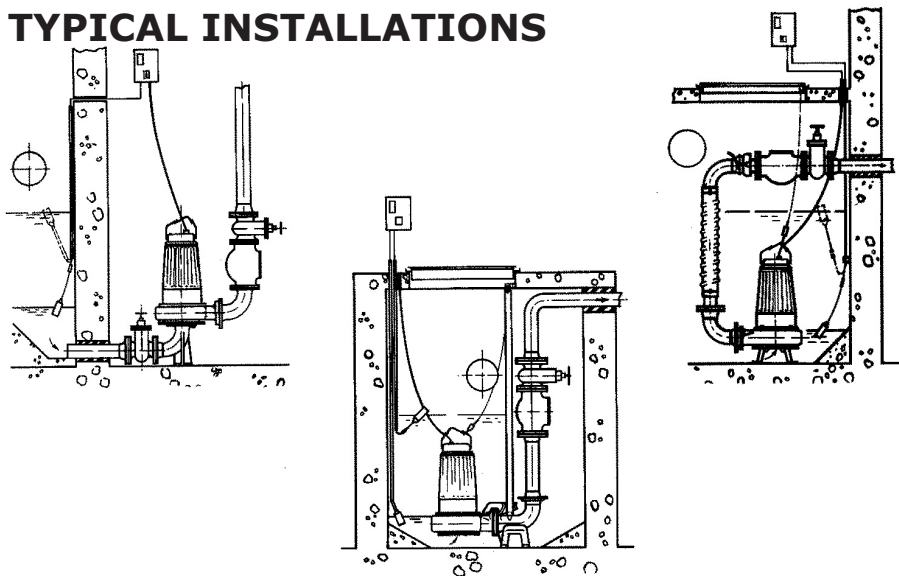
TT PUMPS

TT1005 to TT1409 Range of Sewage Pumps

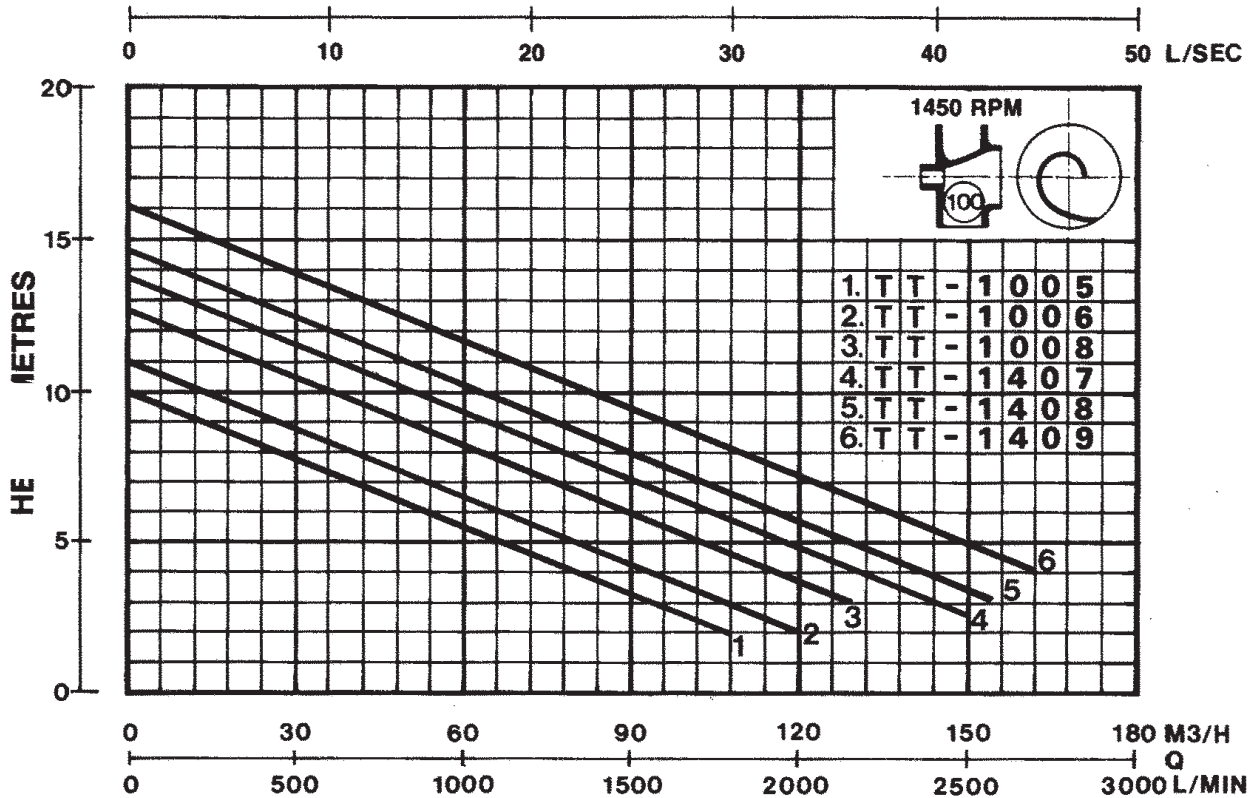
DIMENSIONS



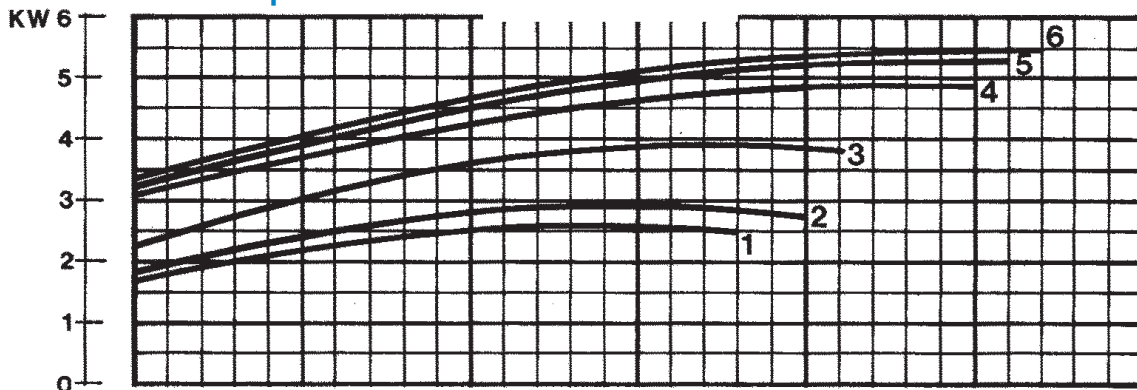
TYPICAL INSTALLATIONS



Performance



Motor output



Motor data & pump weights

Type	Discharge/mm	R.P.M.	Impeller Diameter	kW	Amps	D.O.L.	A.S.D.	Weight kg
TT-1005	100	1450	175	4	8.2	62.3	14.18	130
TT-1006	100	1450	180	4	8.2	62.3	14.18	130
TT-1008	100	1450	190	4	8.2	62.3	14.18	140
TT-1407	100	1450	200	5.5	10.7	99.5	18.51	140
TT-1408	100	1450	210	5.5	10.7	99.5	18.51	140
TT-1409	100	1450	220	5.5	10.7	99.5	18.51	140

Supply: 400V/3Ph/50Hz

T-T Pumps Ltd.

Newcastle Road Woore Cheshire CW3 9RU

We reserve the right to amend specifications without notice

Tel: 01630 647200

e-mail: response@ttpumps.com

Copyright T-T pumps Ltd. 2001

Fax: 01630 642100

<http://www.ttpumps.com>

DATA 130: 02/2001