



POWERTANK



A PACKAGED SOLUTION FOR BOOSTING WATER

by Pedrollo Distribution

OVERVIEW



powertank.co.uk





Increased Water Pressure & Flow



Ease of Installation



Compact Design



Dry Run Protection



Quiet & Reliable



Marked Product

Applications Include: Domestic, Commercial, Agricultural & Industrial

› **Need to boost your water pressure?**

There are many reasons for experiencing low water pressure problems including high demand, location and shared supply. The Powertank range is a self-contained cold water booster system specifically designed for use in domestic, commercial, agricultural & industrial applications where existing water pressure and flow is insufficient to meet demand. The range caters for multiple space and storage capacity requirements.

› **Why do I need a tank and a pump?**

To increase water flow there must first be more water. If your mains supply is not meeting your requirements, then you need a break tank to store your own water supply ready for when you need it. This can then be pumped to your outlets on demand giving you a plentiful supply of water at the right pressure.

› **Can this be used with any type of hot water system?**

Powertanks are suitable for use with pressurised/unvented & combination boiler hot water systems and are not designed for use with unpressurised/vented /gravity fed systems where a cold water header tank already exists.

› **Why can't I just fit a pump onto the mains?**

Water Authority bylaws prevent a pump being directly connected to the mains supply, so when your mains water pressure needs a boost, a break tank must be incorporated into the system. There is an exemption for pumps 'up to' 12 ltr/min but this is not guaranteed and relies on your mains being capable of delivering this volume. To put this into context, a single shower typically requires between 9-15 ltr/min.

› **Will it be noisy?**

All pumps create noise, but by incorporating an ultra-quiet running submersible pump within a tank unit, the Powertank range is about as quiet as you can get. Typical dB of <65dB(A)

› **Volumes**

All stated volumes are usable water volumes.

› **Is it easy to install?**

Our all-in-one tank and pump unit is designed to remove the headache for installers. It is a packaged unit and therefore is fast and easy to install. See our Installation Guideline for step by step instructions.

› **Where am I going to put it?**

The Powertank range has been designed to provide the end user with a variety of options in terms of water storage and usage requirements as well as availability of space. Typical installation areas include garages, plant rooms, utility rooms and kitchens.

› **What is the difference between the fixed speed and the variable speed version?**

The fixed speed version has an automatic pump controller which provides the full performance of the pump on demand.

The variable speed version has an intelligent pump controller that will supply a smooth flow of water to every outlet by maintaining constant pressure throughout your property, speeding up and slowing down the pump to suit demand. This ensures efficient operation of the pump leading to reduced energy usage and a smoother user experience.

› **What size property will this supply?**

The Powertank range is scalable and additional capacity can be added for large properties or those with particularly poor incoming flow rates. We have designed the range to fit in all domestic and commercial properties (incoming flow rate and required usage must be taken into consideration). If you have a weak incoming water supply yet a high demand for water, you also have the option to link an additional 'assist tank' to ensure you have enough stored water to meet demand.

› **What if my tank runs out of water?**

The controller will turn off the pump if there is no water in the tank. It will automatically reset after a short delay allowing the water volume in the tank to recover. This pump protection feature ensures a long and happy life for the pump.

Controls Options

Fixed Speed

This is the most economic option and will transform the water pressure and flow in your property. This will deliver the full pressure of the pump at the in use flow rate (see performance table).

Variable Speed

The variable speed option allows you to choose your desired pressure, speeding up and slowing down to suit demand. Whatever you are doing, from washing up, watering the garden, having a shower or all 3 together the pressure will continue to be the same to give you a constant pressure at every outlet.



Increase Performance

Variable - TWIN & TRIPLE Pump Option

For higher flow rates the Powertanks can be fitted with two or three pumps to meet the required duty. Twin & Triple pump sets are configured as duty assist with two or three pumps sharing the duty.

Twin pump options are available from 500ltr tank capacity and Triple pump options are available from 2000ltr tank capacity.

These operate with the same functionality as a traditional booster set.



Variable PLUS – More Powerful Pump Option

For certain applications a larger flow rate maybe required. The PLUS range can offer a much higher flow rate than the Standard Variable Speed unit and is a more cost effective way of increasing the performance of the Powertank system without upgrading to a twin or triple pump system. This PLUS pump option is available on our larger tanks options.

Performance

Pump Option	Power		Pressure	1 Bar	2 Bar	3 Bar	4 Bar	5 Bar	6 Bar
	kW	HP							
Fixed Speed	0.55	0.75	Q l/min	73	57	40	10	-	-
Variable Speed	0.75	1		80	80	80	68	50	14
Variable Speed (Compact Model)	0.55	0.75		80	80	66	40	-	-
Variable Speed PLUS	1.5	2		160	160	138	107	50	-
Variable Speed TWIN	1.5	2		160	160	160	136	100	28
Variable Speed TRIPLE	2.25	3		240	240	240	204	150	42
Variable Speed DG-PED 3	0.75	1		80	70	58	45	35	-
Variable Speed DG-PED 5	1.1	1.5		120	105	92	75	60	-

*These are maximum pressures. There is an option to choose your desired pressure on all variable speed units.

Air Gaps Explained

Fluid Category 4 / Type AF - Suitable for applications in commercial heating systems, bottle washing, commercial dish-washing machines, brewery and distillations plants.

Fluid Category 5 / Type AB - Suitable for applications where increased backflow protection is required such as applications in food washing & packing stations, abattoirs, hygienic rooms, surgeries and laboratories. This is an optional upgrade.



Powertank CAT 5 : 10ltr

The Powertank CAT 5 provides backflow protection for fluid category 5 risks. Our system includes a type AB air-gap and has a water volume of 10 ltrs. We supply this tank with a self priming jet pump to ensure smooth operation. The electronic controller automatically starts and stops the pump when a drop in pressure is sensed i.e. a tap is opened and closed.

Key Features

- Non-corrosive holding tank
- Pre-fitted WRAS approved fill valve
- Integral screened overflow weir
- Minimal installation requirement
- Dry-run protection with auto restart (time delay)
- Self Priming Jet Pump
- AB Air gap
- Suitable up to Fluid Category 5

* Powertank Compact also suitable for Fluid Category 5

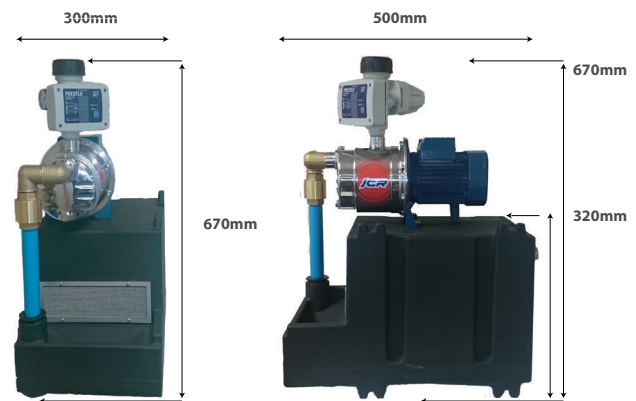


Range Options

Model
10ltr CAT 5 Fixed Speed

System Connections

Connection	Size
Inlet	3/4" BSP
Outlet	1" BSP
Overflow	40mm Wastepipe



10ltr CAT5

	Fixed Speed Option
Power supply	240 volt, 50Hz
Pump	JCRm1C-N
Controller	Presflo
Current Input	3.4 amp
Mains Power Cable	2 mtr x 1mm ² 3 core fitted with 13 amp fuse mains plug
Tank Weight Empty	14 kg
Tank Weight Full	1ltr = 1 kg plus weight of empty tank
Access Cover Ø	N/A

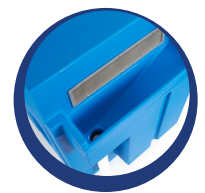
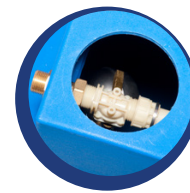
Pump Option	Power		Pressure	1 Bar	2 Bar	3 Bar	4 Bar	5 Bar	6 Bar
	kW	HP							
JCRm1C-N	0.37	0.5	Q l/min	60	25	5	-	-	-

Powertank Compact : 125ltr

The Powertank Compact has been specifically designed for smaller properties with low water pressure and flow and where space is at a premium i.e. apartments, cottages, townhouses. Fitting into the space of a standard kitchen unit, the Powertank Compact is a similar size to a washing machine so can be hidden away behind a cupboard door. The electronic controller automatically starts and stops the pump when a drop in pressure is sensed i.e. a tap is opened and closed.

Key Features

- Non-corrosive holding tank (WRAS approved material)
- Pre-fitted WRAS approved fill valve
- Integral overflow weir
- Minimal installation required
- Adjustable digital display flow controller (Variable Speed Option)
- Dry-run protection with auto restart (time delay)
- AB Air gap
- Suitable up to Fluid Category 5



Variable Speed Option

Fill Valve

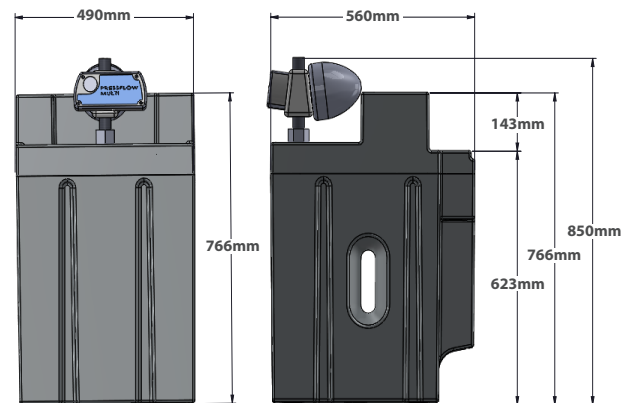
Integral Overflow Weir

Range Options

Model
125ltr Compact Fixed Speed
125ltr Compact Variable Speed

System Connections

Connection	Size
Inlet	½" BSP
Outlet	1" BSP
Overflow	1 ½"
Drain Off	1" BSP



125ltr Compact

	Fixed Speed Option	Variable Speed Option
Power supply	240 volt, 50Hz	240 volt, 50Hz
Controller	Presflo supplied with 2ltr pressure vessel	Steadypres supplied with 2ltr pressure vessel
Current Input	3.4 amp	5.2 amp
Mains Power Cable	2 mtr x 1mm ² 3 core fitted with 13 amp fuse mains plug	2 mtr x 1mm ² 3 core fitted with 13 amp fuse mains plug
Tank Weight Empty	27 kg	33 kg
Tank Weight Full	1ltr = 1 kg plus weight of empty tank	1ltr = 1 kg plus weight of empty tank
Access Cover Ø	168mm	168mm

Pump Option	Power		Pressure	1 Bar	2 Bar	3 Bar	4 Bar	5 Bar	6 Bar
	kW	HP							
Fixed Speed	0.55	0.75	Q l/min	73	57	40	10	-	-
Variable Speed (Compact Model)	0.55	0.75		80	80	66	40	-	-

Powertank DG PED 3 & DG PED 5: 200ltr

The Powertank DG PED systems are variable speed pump and tank units designed with the consumer in mind. A simple push button interface with LED display provides 2 options; '+' to increase pressure and '-' to decrease pressure making it very difficult to hinder the operation of the unit. Like all the other Powertanks in the range it automatically starts and stops the pump when a drop in pressure is sensed i.e a tap is opened and closed.

Key Features

- Non-corrosive holding tank (WRAS approved material)
- Pre-fitted WRAS approved fill valve
- Minimal installation requirement
- Adjustable digital display flow controller
- Dry-run protection with auto restart (time delay)
- AF Air gap (AB Air gap Optional)
- Suitable up to Fluid Category 4 (CAT5 Option available)

Range Options

Model
200ltr Variable Speed DG PED 3
200ltr Variable Speed DG PED 5

System Connections

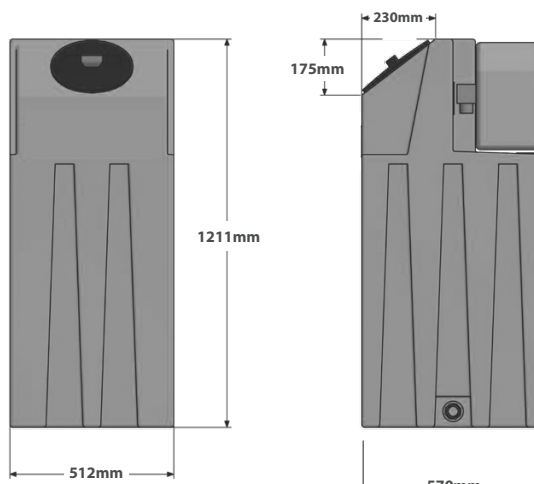
Connection	Size
Inlet	½" BSP
Outlet	1" BSP
Overflow	1 ¼" BSP
Drain Off	1" BSP



Intuitive User Interface



Rotating Inlet/Outlet Connector



200ltr DG PED

	DG PED 3	DG PED 5
Power supply	240 volt, 50Hz	240 volt, 50Hz
Controller	Interface with integral 1.5ltr pressure vessel	Interface with integral 1.5ltr pressure vessel
Max Current	7.5 amp	10.5 amp
Mains Power Cable	1.3m x 1.5mm ² 3 core cable	1.3m x 1.5mm ² 3 core cable

Pump Option	Power		Pressure	1 Bar	2 Bar	3 Bar	4 Bar	5 Bar
	kW	HP						
Variable Speed DG PED 3	0.75	1	Q l/min	80	70	58	45	35
Variable Speed DG PED 5	1.1	1.5		120	105	92	75	60

Powertank Simplicity

The Simplicity range is designed as an entry level Powertank offering.

Our Simplicity Range is only available as a fixed speed option. The Simplicity range includes; 200ltr & 350ltr Slimline, 500ltr Utility, 200ltr, 270ltr, 340ltr, and 450ltr Coffin tanks.

It is electronically controlled, starting and stopping the pump automatically when pressure drops below 1.5 Bar

Unlike the standard Fixed Speed Powertank the Simplicity range controller does not include an integrated 3ltr pressure vessel for reducing the number of pump start & stops and does not have an adjustable start pressure feature.

Key Features

- Non-corrosive holding tank (WRAS approved material)
- Pre-fitted WRAS approved fill valve
- Minimal installation requirement
- Built-in electronic start/stop
- Dry-run protection with auto restart (time delay)
- AF Air gap
- Suitable up to Fluid Category 4

Range Options

Model
200ltr Slimline Simplicity Fixed Speed
350ltr Slimline Simplicity Fixed Speed
500ltr Utility Simplicity Fixed Speed
200ltr Coffin Simplicity Fixed Speed
270ltr Coffin Simplicity Fixed Speed
340ltr Coffin Simplicity Fixed Speed
450ltr Coffin Simplicity Fixed Speed

System Connections

Connection	Size
Inlet	½" BSP
Outlet	1" BSP
Overflow	1 ¼" BSP
Drain Off	1" BSP

	Fixed Speed Option
Power supply	240 volt, 50Hz
Controller	Presflo
Current Input	3.4 amp
Mains Power Cable	2 mtr x 1mm ² 3 core fitted with 13 amp fuse mains plug
Tank Weight Full	1ltr = 1 kg plus weight of empty tank

Pump Option	Power		Pressure	1 Bar	2 Bar	3 Bar	4 Bar	5 Bar	6 Bar
	kW	HP							
Fixed Speed	0.55	0.75	Q l/min	73	57	40	10	-	-



Fixed Speed Only

Powertank Slimline : 200ltr & 350ltr

The Powertank Slimline range can fit through a standard doorway. This makes it very convenient for new or existing properties as it can be easily fitted under a stairs, in a garage, or in a utility room. The slimline range is ideal for 3 - 5 bedroom houses, with poor water pressure and flow, and where floor space is limited. It is electronically controlled, starting and stopping the pump automatically when an outlet is opened and closed.

Key Features

- Non-corrosive holding tank (WRAS approved material)
- Pre-fitted WRAS approved fill valve
- Minimal installation requirement
- Adjustable digital display flow controller (Variable Speed Option)
- Dry-run protection with auto restart (time delay)
- AF Air gap (AB Air gap optional)
- Suitable up to Fluid Category 4 (CAT 5 Optional)



Overflow - Inlet

Variable Speed Option

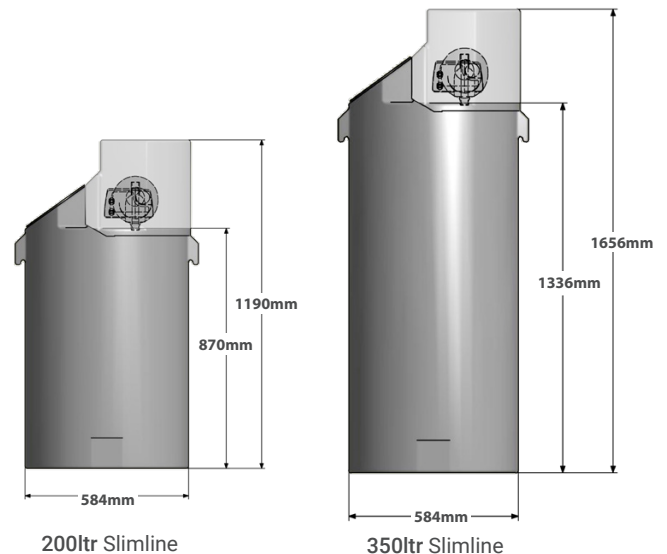
AB Air Gap Option

Range Options

Model
200ltr Slimline Fixed Speed
200ltr Slimline Variable Speed
350ltr Slimline Fixed Speed
350ltr Slimline Variable Speed

System Connections

Connection	Size
Inlet	½" BSP
Outlet	1" BSP
Overflow	1 ¼" BSP
Drain Off	1" BSP



	Fixed Speed Option		Variable Speed Option	
Power supply	240 volt, 50Hz		240 volt, 50Hz	
Controller	Presflo Multi with integral 3ltr pressure vessel		Steadypres supplied with 8ltr pressure vessel	
Current Input	3.4 amp		6.3 amp	
Mains Power Cable	2 mtr x 1mm ² 3 core fitted with 13 amp fuse mains plug		2 mtr x 1mm ² 3 core fitted with 13 amp fuse mains plug	
Tank Weight Empty	200ltr = 26kg	350ltr = 29kg	200ltr = 32kg	350ltr = 35kg
Tank Weight Full	1ltr = 1 kg plus weight of empty tank		1ltr = 1 kg plus weight of empty tank	
Access Cover Ø	190mm		190mm	

Pump Option	Power		Pressure	1 Bar	2 Bar	3 Bar	4 Bar	5 Bar	6 Bar
	kW	HP							
Fixed Speed	0.55	0.75	Q l/min	73	57	40	10	-	-
Variable Speed	0.75	1		80	80	80	68	50	14

Powertank Coffin: 200ltr, 270ltr, 340ltr & 450ltr

The Powertank Coffin range is designed for domestic and light commercial use where there is low mains water pressure and where pressure fluctuates. It is electronically controlled, starting and stopping the pump automatically when an outlet is opened and closed. The Powertank Coffin tanks are designed for areas where height restrictions and access are an issue.

Key Features

- Non-corrosive holding tank (WRAS approved material)
- Pre-fitted WRAS approved fill valve
- Minimal installation requirement
- Adjustable digital display flow controller (Variable Speed Option)
- Dry-run protection with auto restart (time delay)
- AF Air gap
- Suitable up to Fluid Category 4



Inlet - Overflow

Variable Speed Option

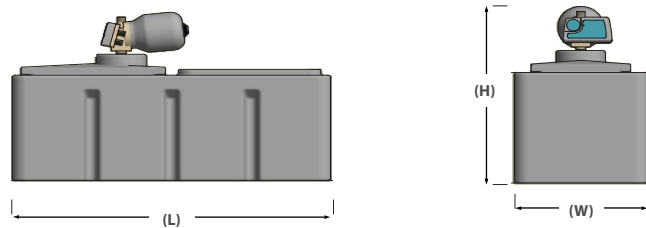
Range Options

Model
200ltr Coffin Fixed Speed
200ltr Coffin Variable Speed
270ltr Coffin Fixed Speed
270ltr Coffin Variable Speed
340ltr Coffin Fixed Speed
340ltr Coffin Variable Speed
450ltr Coffin Fixed Speed
450ltr Coffin Variable Speed

Model	Length(L)	Width(W)	Height(H)
200ltr Coffin	1106mm	475mm	770mm
270ltr Coffin	1571mm	475mm	751mm
340ltr Coffin	1571mm	475mm	980mm
450ltr Coffin	1765mm	580mm	846mm

System Connections

Connection	Size
Inlet	½" BSP
Outlet	1" BSP
Overflow	1 ¼" BSP
Drain Off	1" BSP



200ltr, 270ltr, 340ltr & 450ltr Coffin

	Fixed Speed Option	Variable Speed Option
Power supply	240 volt, 50Hz	240 volt, 50Hz
Controller	Presflo Multi with integral 3ltr pressure vessel	Steadyres supplied with 8ltr pressure vessel
Current Input	3.4 amp	6.3 amp
Mains Power Cable	2 mtr x 1mm ² 3 core fitted with 13 amp fuse mains plug	2 mtr x 1mm ² 3 core fitted with 13 amp fuse mains plug
Tank Weight Empty	200ltr = 30kg 270ltr = 32kg 340ltr = 34kg 450ltr = 36kg	200ltr = 37kg 270ltr = 39kg 340ltr = 40kg 450ltr = 42kg
Tank Weight Full	1ltr = 1 kg plus weight of empty tank	1ltr = 1 kg plus weight of empty tank
Access Cover	300mm x 450mm	300mm x 450mm

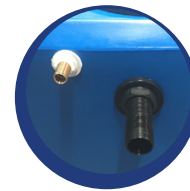
Pump Option	Power		Pressure	1 Bar	2 Bar	3 Bar	4 Bar	5 Bar	6 Bar
	kW	HP							
Fixed Speed	0.55	0.75	Q l/min	73	57	40	10	-	-
Variable Speed	0.75	1		80	80	80	68	50	14

Powertank Rectangular : 300ltr & 500ltr

The Powertank Rectangular range is designed for domestic and light commercial use where there is low mains water pressure and where pressure fluctuates. It is electronically controlled, starting and stopping the pump automatically when an outlet is opened and closed. The 300ltr & 500ltr tanks are designed for areas where the floor space is not restricted but where height restrictions are an issue.

Key Features

- Non-corrosive holding tank (WRAS approved material)
- Pre-fitted WRAS approved fill valve
- Minimal installation requirement
- Adjustable digital display flow controller (Variable Speed Option)
- Dry-run protection with auto restart (time delay)
- AF Air gap (AB Air gap optional)
- Suitable up to Fluid Category 4 (CAT 5 Optional)



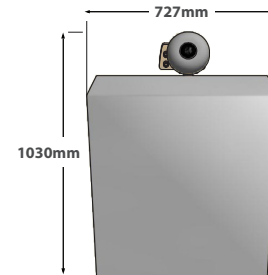
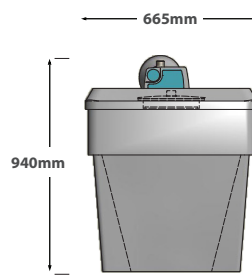
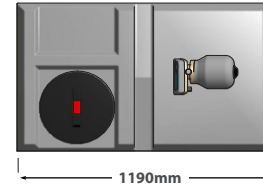
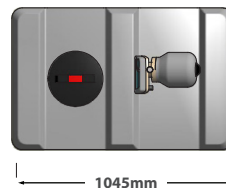
Twin Pump Option

Inlet - Overflow

Variable Speed Option

Range Options

Model
300ltr Rectangular Fixed Speed
300ltr Rectangular Variable Speed
500ltr Rectangular Fixed Speed
500ltr Rectangular Variable Speed
500ltr Rectangular Variable Speed Twin Pump



300ltr Rectangular

500ltr Rectangular

System Connections

Connection	Size
Inlet	½" BSP
Outlet	1" BSP
Overflow	1 ¼" BSP
Drain Off	1" BSP

	Fixed Speed Option		Variable Speed Option	
Power supply	240 volt, 50Hz		240 volt, 50Hz	
Controller	Presflo Multi with integral 3ltr pressure vessel		Steadypres supplied with 8ltr pressure vessel	
Current Input	3.4 amp		6.3 amp	
Mains Power Cable	2 mtr x 1mm ² 3 core fitted with 13 amp fuse mains plug		2 mtr x 1mm ² 3 core fitted with 13 amp fuse mains plug	
Tank Weight Empty	300ltr = 34kg	500ltr = 39kg	300ltr = 40kg	500ltr = 45kg
Tank Weight Full	1ltr = 1 kg plus weight of empty tank		1ltr = 1 kg plus weight of empty tank	
Access Cover Ø	300ltr = 190mm	500ltr = 285mm	300ltr = 190mm	500ltr = 285mm

Pump Option	Power		Pressure	1 Bar	2 Bar	3 Bar	4 Bar	5 Bar	6 Bar
	kW	HP							
Fixed Speed	0.55	0.75	Q l/min	73	57	40	10	-	-
Variable Speed	0.75	1		80	80	80	68	50	14
Variable Speed TWIN	1.5	2		160	160	160	136	100	28

Powertank Utility : 500ltr & 750ltr



The Powertank Utility range is designed for domestic and light commercial use where there is low mains water pressure and where pressure fluctuates. It is electronically controlled, starting and stopping the pump automatically when an outlet is opened and closed. The Utility range is designed for areas where the floor space is not restricted. This range caters for a wider variation of tank options to suit a wider range of applications.

Key Features

- Non-corrosive holding tank (WRAS approved material)
- Pre-fitted WRAS approved fill valve
- Minimal installation requirement
- Dry-run protection with auto restart (time delay)
- Adjustable digital display flow controller (Variable Speed Option)
- AF Air gap (AB Air gap optional)
- Suitable up to Fluid Category 4 (CAT 5 Optional)



Range Options

Model
500ltr Utility Fixed Speed
500ltr Utility Variable Speed
500ltr Utility Variable Speed Plus
500ltr Utility Variable Speed Twin Pump
750ltr Utility Fixed Speed
750ltr Utility Variable Speed
750ltr Utility Variable Speed Plus
750ltr Utility Variable Speed Twin Pump



Twin Pump Option



Overflow - Inlet



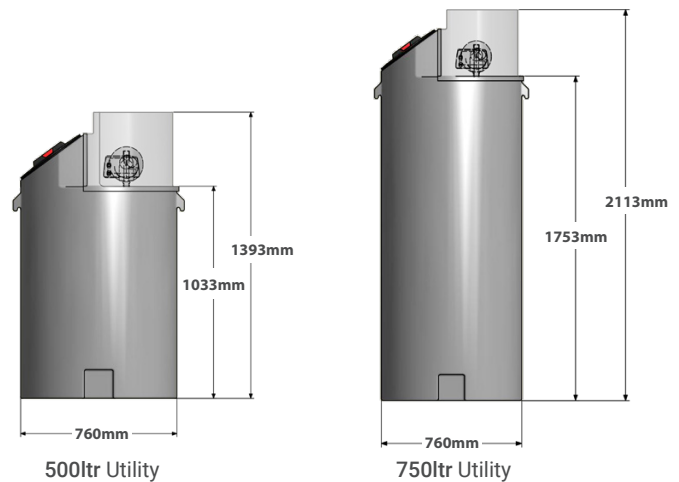
Variable Speed Option



AB Air Gap Option

System Connections

Connection	Size
Inlet	1/2" BSP (3/4" Optional)
Outlet	1" BSP
Overflow	1 1/4" BSP
Drain Off	1" BSP



	Fixed Speed Option		Variable Speed Option	
Power supply	240 volt, 50Hz		240 volt, 50Hz	
Controller	Presflo Multi with integral 3ltr pressure vessel		Steadypres supplied with 8ltr pressure vessel	
Current Input	3.4 amp		6.3 amp	
Mains Power Cable	2 mtr x 1mm ² 3 core fitted with 13 amp fuse mains plug		2 mtr x 1mm ² 3 core fitted with 13 amp fuse mains plug	
Tank Weight Empty	500ltr = 34kg	750ltr = 49kg	500ltr = 40kg	750ltr = 55kg
Tank Weight Full	1ltr = 1 kg plus weight of empty tank		1ltr = 1 kg plus weight of empty tank	
Access Cover Ø	285mm		285mm	

Pump Option	Power		Pressure	1 Bar	2 Bar	3 Bar	4 Bar	5 Bar	6 Bar
	kW	HP							
Fixed Speed	0.55	0.75	Q l/min	73	57	40	10	-	-
Variable Speed	0.75	1		80	80	80	68	50	14
Variable Speed PLUS	1.5	2		160	160	138	107	50	-
Variable Speed TWIN	1.5	2		160	160	160	136	100	28

Powertank Utility : 650ltr & 1000ltr

The Powertank Utility range is designed for commercial use on a larger scale where there is low mains water pressure and where pressure fluctuates. It is electronically controlled, starting and stopping the pump automatically when an outlet is opened and closed. The Utility range is designed for areas where the floor space is not restricted. This range caters for a wider variation of tank options to suit a wider range of applications.

Key Features

- Non-corrosive holding tank (WRAS approved material)
- Pre-fitted WRAS approved fill valve
- Minimal installation requirement
- Adjustable digital display flow controller (Variable Speed Option)
- Dry-run protection with auto restart (time delay)
- AF Air gap (AB Air gap optional)
- Suitable up to Fluid Category 4 (CAT 5 Optional)



Twin Pump Option



Inlet - Overflow



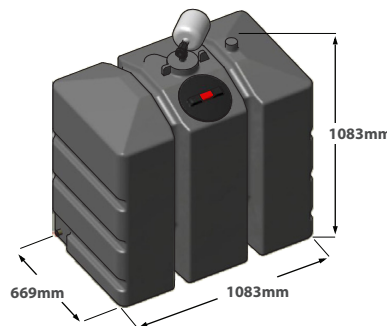
Variable Speed Option

Range Options

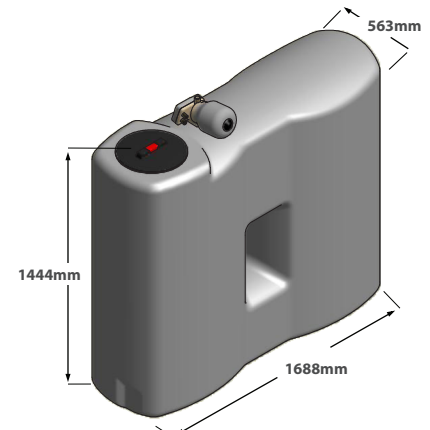
Model
650ltr Utility Fixed Speed
650ltr Utility Variable Speed
1000ltr Utility Fixed Speed
1000ltr Utility Variable Speed
1000ltr Utility Variable Speed Plus
1000ltr Utility Variable Speed Twin Pump

System Connections

Connection	Size
Inlet	1/2" BSP (3/4" Optional)
Outlet	1" BSP
Overflow	1 1/4" BSP
Drain Off	1" BSP



650ltr Utility



1000ltr Utility

	Fixed Speed Option		Variable Speed Option	
Power supply	240 volt, 50Hz		240 volt, 50Hz	
Controller	Presflo Multi with integral 3ltr pressure vessel		Steadypres supplied with 8ltr pressure vessel	
Current Input	3.4 amp		6.3 amp	
Mains Power Cable	2 mtr x 1 mm ² 3 core fitted with 13 amp fuse mains plug		2 mtr x 1 mm ² 3 core fitted with 13 amp fuse mains plug	
Tank Weight Empty	650ltr = 54kg	1000ltr = 74kg	650ltr = 60kg	1000ltr = 80kg
Tank Weight Full	1ltr = 1 kg plus weight of empty tank		1ltr = 1 kg plus weight of empty tank	
Access Cover Ø	285mm		285mm	

Pump Option	Power		Pressure	1 Bar	2 Bar	3 Bar	4 Bar	5 Bar	6 Bar
	kW	HP							
Fixed Speed	0.55	0.75	Q l/min	73	57	40	10	-	-
Variable Speed	0.75	1		80	80	80	68	50	14
Variable Speed PLUS	1.5	2		160	160	138	107	50	-
Variable Speed TWIN	1.5	2		160	160	160	136	100	28

Powertank Bunded : 250ltr & 650ltr

The Powertank Bunded range is designed for commercial use where there is low mains water pressure and where pressure fluctuates. Every Powertank Bunded tank benefits from a 'tank within a tank' bundled construction, with the outer tank able to maintain a minimum of 110% of the volume of the inner tank. The inner tank acts as the primary storage container, whilst the outer tank acts as a fail safe in the event of a spill.

It is electronically controlled, starting and stopping the pump automatically when an outlet is opened and closed. The Bunded range is designed for areas where the floor space is not restricted.

Key Features

- Non-corrosive holding tank (WRAS approved material)
- Pre-fitted WRAS approved fill valve
- Minimal installation requirement
- Built-in electronic start/stop
- Dry-run protection with auto restart (time delay)
- AF Air gap
- Suitable up to Fluid Category 4



Overflow - Inlet



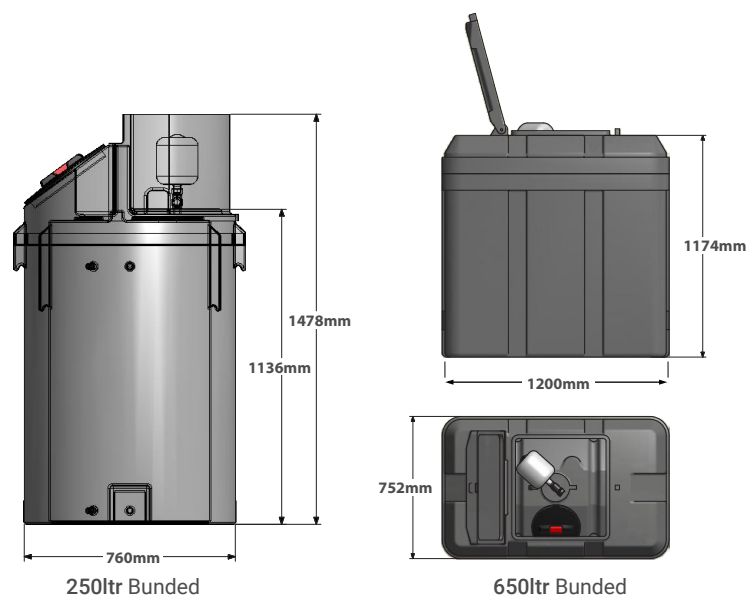
Variable Speed Option

Range Options

Model
250ltr Bunded Fixed Speed
250ltr Bunded Variable Speed
650ltr Bunded Fixed Speed
650ltr Bunded Variable Speed

System Connections

Connection	Size
Inlet	1/2" BSP
Outlet	1" BSP
Overflow	1 1/4" BSP
Drain Off	1" BSP



	Fixed Speed Option		Variable Speed Option	
Power supply	240 volt, 50Hz		240 volt, 50Hz	
Controller	Presflo Multi with integral 3ltr pressure vessel		Steadypres supplied with 8ltr pressure vessel	
Current Input	3.4 amp		4 amp	
Mains Power Cable	2 mtr x 1mm ² 3 core fitted with 13 amp fuse mains plug		2 mtr x 1mm ² 3 core fitted with 13 amp fuse mains plug	
Tank Weight Empty	250ltr = 49kg	650ltr = 94kg	250ltr = 55kg	650ltr = 100kg
Tank Weight Full	1ltr = 1 kg plus weight of empty tank		1ltr = 1 kg plus weight of empty tank	
Access Cover Ø	Internal 190mm, External 285mm		Internal 190mm, External 285mm	

Pump Option	Power		Pressure	1 Bar	2 Bar	3 Bar	4 Bar	5 Bar	6 Bar
	kW	HP							
Fixed Speed	0.55	0.75	Q l/min	73	57	40	10	-	-
Variable Speed	0.75	1		80	80	80	68	50	14

Powertank Industrial

The Powertank Industrial range is designed to deliver water to commercial and industrial properties where the existing supply fails to meet demand.

The tank is WRAS approved and manufactured with insulating GRP materials and has a removable lid making it ideal for plant rooms. Fitted as standard with a variable speed controller and AF air gap. These tanks are fitted out individually in-house and are fully customisable.



Inlet - Overflow

Key Features

- WRAS approved GRP Tank
- Fully encapsulated insulation to sides and lid
- Close fitting and removable lid
- Screened vent and screened overflow unit
- BMS connections
- AF Air GAP Standard (AB Air GAP Optional)
- Suitable for Fluid Category 4 (CAT5 Optional)



Industrial Options

Variable Speed Controls as Standard

The variable speed control allows you to choose your desired pressure, speeding up and slowing down to suit demand. For applications with a high number of water outlets such as hotels, multiple occupancy buildings, commercial premises or factories the pressure will continue to be the same to give you a constant pressure at every outlet.



Variable - TWIN & TRIPLE Pump Option



For higher flow rates the Industrial Powertanks can be fitted with two or three pumps to meet the required duty. Twin & Triple pumps sets are configured as duty assist with two or three pumps sharing the duty.

Twin pump options are available from 500ltr tank capacity and Triple pumps options are available from 2000ltr tank capacity.

These operate with the same functionality as a traditional booster set.



Increase Performance

Variable PLUS – More Powerful Pump Option



	Variable Speed Option	Variable Speed PLUS	Variable Speed TWIN	Variable Speed TRIPLE
Power supply	240 volt, 50Hz	240 volt, 50Hz	240 volt, 50Hz	240 volt, 50Hz
Controller	Steadypres with 8ltr pressure vessel	Steadypres with 8ltr pressure vessel	2 x Steadypres with 8ltr pressure vessel	3 x Steadypres with 8ltr pressure vessel
Current Input	6.3 amp	8.7 amp	12.6 amp	18.9 amp
Mains Power Connection	2m x 1mm ² 3 core cable fitted with 13 amp fuse main plug	2m x 1mm ² 3 core cable fitted with 13 amp fuse main plug	MCB box with connections for input/output	MCB box with connections for input/output

* 3 Phase Available On Request

Industrial Performance

Pump Option	Power		Pressure	1 Bar	2 Bar	3 Bar	4 Bar	5 Bar	6 Bar
	kW	HP							
Variable Speed	0.75	1	Q l/min	80	80	80	68	50	14
Variable Speed PLUS	1.5	2		160	160	138	107	50	-
Variable Speed TWIN	1.5	2		160	160	160	136	100	28
Variable Speed TRIPLE	2.25	3		240	240	240	204	150	42

* Larger flows and higher pressures are available please contact us for more information.

Standard Tank Sizes

Model	Length	Width	Height
500ltr Industrial	1235mm	785mm	1040mm
1000ltr Industrial	1180mm	1180mm	1095mm
1500ltr Industrial	1185mm	1185mm	1600mm
2000ltr Industrial	2205mm	1205mm	1095mm
2500ltr Industrial	2205mm	1205mm	1345mm
3000ltr Industrial	2205mm	1205mm	1595mm
4000ltr Industrial	2195mm	2195mm	1095mm
5000ltr Industrial	2695mm	2195mm	1095mm

- Industrial dimensions for tank only
- Larger Tank Sizes Available On Request

System Connections

Connection	Size
Inlet	¾" BSP
Outlet	1" Single - 2" Twin - 2" Triple
Overflow	1 ¼" BSP
Warning Pipe	¾" BSP

* Larger Inlet Sizes Available On Request

Tank Options



Split Tank Options

For applications where access is restricted



CAT5 AB Air Gap

Suitable for applications where increased backflow protection is required such as applications in food washing & packing stations, abattoirs, hygienic rooms, surgeries and laboratories.



Larger Tanks

In addition to our standard tank capacities we can supply larger tanks sizes in excess of 5000ltrs.



Plant Rooms

Plant room systems are available for use in large commercial or industrial applications and can be a cost effective and economical way of protecting and housing booster pump sets, water storage tanks as well as water treatment equipment. For more information please contact us.

Powertank Integrated UV Disinfection Systems



We offer a complete disinfected water boosting package by combining an Integrated UV system with our Powertanks. This ensures not only that you increase your water pressure and flow but also the quality of water in your system.

The UV boosted system is available with any standard single pump Powertank. Higher flow capacity UV systems are also available for use with Twin, Triple & Industrial Powertanks, for more information please contact us.



36 l/min UV System



68 l/min UV System

STAGE 1: FINE SEDIMENT REMOVAL

Stage 1 is a 5 micron sediment filter cartridge for removing dirt, sediment, debris and absorbing compounds from the water to prevent them shielding bacteria for the UV light.

STAGE 2: ULTRA VIOLET DISINFECTION UNIT

Stage 2 is a Viqua UV disinfection system for the purposes of inactivation of bacteria and viruses in the incoming water supply. This UV system has an integral countdown timer to indicate when the UV lamp needs to be replaced. UV lamps degrade over time and must be replaced every 12 months.

BENEFITS TO UV DISINFECTION

- Equipped to inactivate chlorine-resistant parasites such as Cryptosporidium and Giardia, harmful bacteria like E.Coli, and viruses not visible to the naked eye
- Specially designed and tested Sterilume™-EX lamps provide consistent and reliable ultraviolet output over the entire life of the lamp (9000 hours) to ensure continuous purification. **Always use Viqua genuine replacement lamps and sleeves**
- The system is simple to maintain and service allowing for easy lamp replacement
- Built with a durable stainless steel chamber to prolong life and eliminate ultraviolet light degradation
- The controller visually displays the remaining lamp life and will go into alarm if the lamp fails. Monitored systems are equipped with a UV sensor which provides a continuous readout of UV intensity
- The controller has a sealed case to prevent damage from accidental water intrusion and is fully CSA and CE compliant
- Monitored systems allow for the installation of an optional solenoid valve which will stop the flow of water through the chamber should the UV performance fall below a safe level

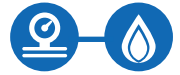
TECHNICAL DATA

Model	Stock Code	Height (cm)	Width (cm)	Depth (cm)	Max Pressure	*Max Flow Rate @ 16mj/cm ²	*Max Flow rate @ 30mj/cm ²	Inlet / Outlet
36 l/min system	1079723	60	48	18	6 Bar	60 l/min	33 l/min	1" BSP
68 l/min system	1079731	75	55	18	6 Bar	130 l/min	70 l/min	1" BSP

REPLACEMENT COMPONENTS

Model	5µ Filter Stock Code	UV Lamp Stock Code	UV Sleeve Stock Code	Ballast/Timer Stock Code
36 l/min system	RE5115408	S200RL-HO	QS-001	BA-ICE-CL
68 l/min System	RE5117408	S410RL-HO	QSO-410	BA-ICE-CL

Powertank Water Softener Systems



In addition to a Powertank delivering water at the right pressure for your application you can now have softened & boosted water at the same time.

As part of our water treatment product range we offer water softeners for hard water areas. Our range includes cabinet water softeners and simplex or duplex softeners depending on your Powertank system and application.

Water Softeners work to reduce the amount of minerals in the water thereby softening the water. The softening process involves removing high levels of calcium and magnesium through an ion-exchange process. The calcium and magnesium ions that cause the build-up of limescale are replaced by sodium ions.

Benefits include:



Usage and spend on detergents and shampoos is reduced by up to 50%



People with eczema and other skin conditions have seen significant improvements



Improved efficiency and longer life of appliances



Hair feels softer and clothes are softer and brighter as a result of using soft water



Time is saved cleaning and no need to use harsh detergents



Energy bills can be reduced by at least 10%



SOFTENER SPECIFICATION			
Cabinet Softener	10ltr System	20ltr System	30ltr System
Softener Specification	8 x 17"	8 x 24"	10 x 35"
Total Height	625mm	800mm	1095mm
Total Depth	440mm	440mm	580mm
Width	240mm	240mm	350mm
Maximum Working Pressure	5 bar	5 bar	5 bar
Minimum Working Pressure	1.7 bar	1.7 bar	1.7 bar
Service Flow Rate	10 l/min	15 l/min	23 l/min
Pressure Drop at Service Flow	0.2 bar	0.35 bar	0.55 bar
Resin Volume	8 litres	20 litres	30 litres
Minimum Supply Flow Rate	8 l/min	8 l/min	8 l/min
Salt Use Per Regeneration	1.2 kgs	3.0 kgs	4.5 kgs
Inlet/Outlet/Drain Connections	3/4" BSPM	3/4" BSPM	3/4" BSPM
Overflow Connections	3/8" hose tail	3/8" hose tail	3/8" hose tail
Softening Capacity @ 300PPM	1330 litres	2500 litres	5000 litres



Simplex softeners

For more information on Simplex and Duplex softeners systems please contact us.





Top Multi II Pumps

- Flow rate up to 80ltr/min
- Head pressure up to 4.2 bar
- Max liquid temperature 40°C
- Power consumption 0.55kW
- Built-in electronic start/stop (Optional)
- Dry running protection (Optional)



NK Pumps

- Flow rate up to 80ltr/min
- Head pressure up to 6 bar
- Power consumption up to 0.75kW



Presflo Multi

- LCD display unit
- Adjustable cut-in feature
- 3ltr surge tank
- Dry running protection with auto restart
- Resin bonded electronics



Pressure Vessel 2ltr or 8ltr

- Stainless steel nipple 1"
- 10 bar working pressure
- WRAS approved product



Presflo

- LCD display unit
- 1.5 bar cut-in pressure
- Dry running protection with auto restart
- Resin bonded electronics



SteadyPres

- LCD display unit
- Energy efficient
- Dry running protection
- Protection from excessively frequent starts
- Over-current protection

Optional Extras



Drip Tray (Coffin, Rectangular, Utility)

- Range available: Coffin, Rectangular, 650ltr & 1000ltr Utility
- 1" overflow connection



Drip Tray (Slimline & Utility)

- Suitable for: 200ltr 300ltr, 500ltr & 750ltr
- 1" overflow connection
- Lift handles



UV Filtration

- Available as 36 l/min and 68 l/min systems for Fixed or Variable speed Powertanks
- Integrated Ultra violet disinfection
- Includes 5 micron pre-filtration
- 1" Connections



Insulated Jackets

- Available for Slimline, Utility, & Coffin range
- Reduce dB/vibration levels
- Easy to install
- Extra protection for extreme weather conditions



Water Softeners

- Water Softener systems for hard water areas
- Removes high levels of calcium and magnesium
- 10ltr, 20ltr & 30ltr cabinet systems
- Simplex & Duplex systems for larger applications



Insulated Jackets

- Available for Slimline, Utility, & Coffin range
- 80mm insulation
- Reduce dB/vibration levels
- Easy to install
- Extra protection for extreme weather conditions



Anti Vibration Mat

- Improvement of impact sound - $\Delta L_w = 18\text{dB}$
- Reduce dB/vibration levels
- Easy to install
- Simple processing - cutting, drilling
- Various sizes available for each model



Conversion Kit for Compact Model

- 1m flexible inlet hose, 15mm Aquavend, Speedfit connection
- 600mm flexible outlet hose, 22mm Aquavend, Speedfit connection
- HEPVO 40mm CVI self sealing trap with CV3 adapter
- McAlpine Flexcon 2 450mm flexible waste pipe
- 90° elbow 40mm, 100mm x 40mm waste pipe



Wall Bracket Support for Pressure Vessel

- Adjustable arm length
- 1" connection

The Powertank is a booster pump system with water storage capacity options ranging from 125ltr to 1000ltr. By simply adding an additional 'assist' tank, water storage capacity can be increased.

Compact

Model	Height	Length	Width
125ltr tank only	767mm	560mm	490mm



Slimline

Model	Height	Length	Width
200ltr tank only	1190mm	N/A	584mm
350ltr tank only	1656mm	N/A	584mm



Utility

Model	Height	Length	Width
500ltr tank only	1393mm	N/A	760mm
650ltr tank only	1083mm	1083mm	669mm
750ltr tank only	2113mm	N/A	760mm
1000ltr tank only	1444mm	1688mm	563mm



Coffin

Model	Height	Length	Width
200ltr tank only	540mm	1106mm	475mm
270ltr tank only	521mm	1571mm	475mm
340ltr tank only	750mm	1571mm	475mm
450ltr tank only	616mm	1765mm	580mm



Rectangular

Model	Height	Length	Width
300ltr tank only	710mm	1045mm	665mm
500ltr tank only	800mm	1190mm	727mm



Other Products in the Water Boosting Range

Here at Pedrollo Distribution we know that everybody's requirements are different and the Powertank may not always be the correct option. We have a range of water boosting products that ensure we have a solution whatever your situation.

- › **Water Boosting for Unvented Systems (Where you already have a Tank)**
Our range of single pump and controllers can be fitted in any unvented system where you may already have a cold water tank, or you would like to source your own.
- › **Water Boosting for Gravity Fed Systems (Vented)**
Our range of twin pumps and controllers can be fitted onto the hot and cold feeds to ensure equal pressure throughout your property.
- › **Water Boosting for Unvented Systems with Good Pressure and Low Flow**
Our accumulators are a low cost option for properties with good pressure but low flow. These fill up with pressurised water from the mains when demand is low which provides a reserve of water when you need it.
- › **Bespoke Solutions – Built to Order**
If our standard offerings don't meet your requirements we have a comprehensive range of pumps, tanks and controls which can be combined to suit your specific application.

The Powerboost Range

Pedrollo Distribution introduces the POWERBOOST range of clean water booster sets for the supply of water for domestic, commercial, agricultural, industrial and municipal markets.



FLOW



PRO



CUBE

power-boost.co.uk



Pedrollo Distribution Ltd
Crossfield Fort
Crossfield Road Industrial Estate
Lichfield
WS13 6RJ

t: 01543 415200
e: sales@pedrollo.co.uk
w: pedrolldistribution.co.uk

powertank.co.uk