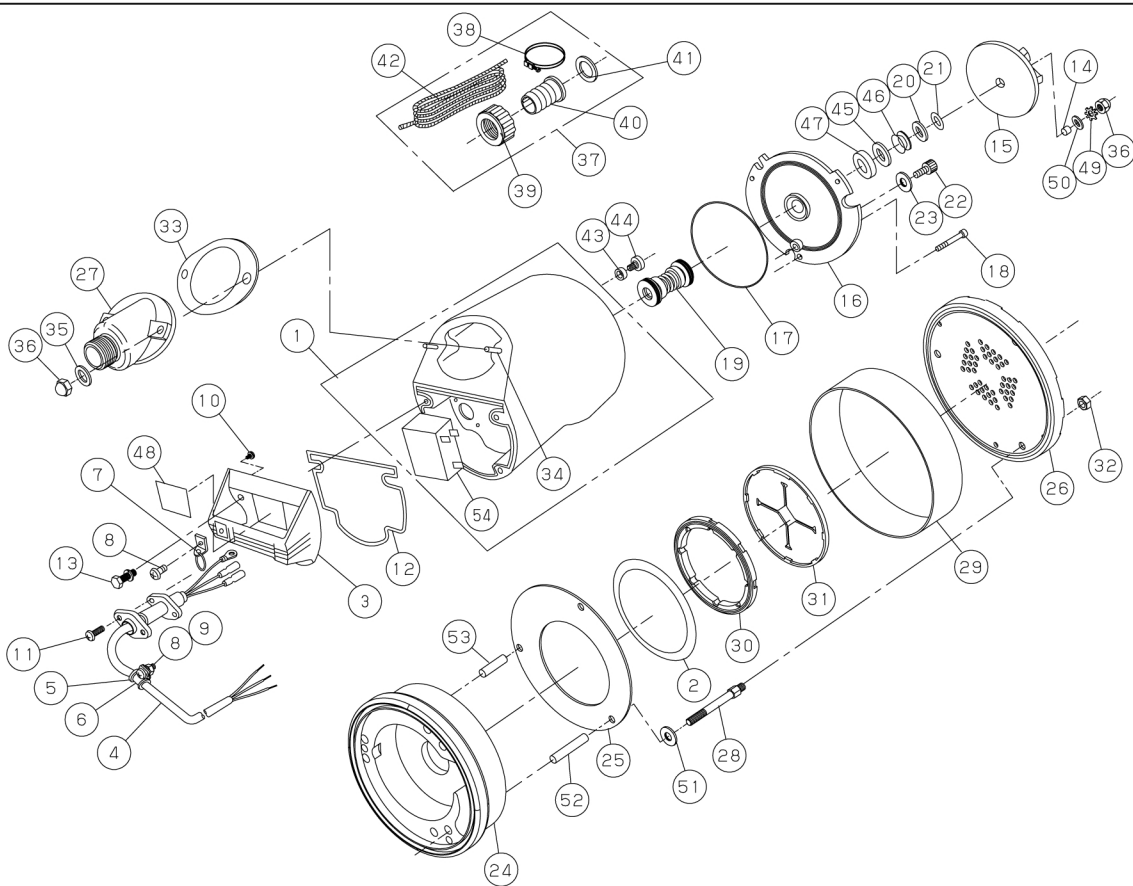


DWG No.043857512

No.	PARTS CODE	PARTS NAME	QTY	MATERIAL	SIZE	REMARKS
1		MOTOR ASSY	1			
2	043036001	SUCTION PACKING	1	NBR		
3	043040401	HANDLE	1			
4	043810501	POWER CORD ASSY	1	H07RN-F	10M	
5	039003101	CORD SUPPORTER	1	CR		
6	026001801	CORD BAND	1	SUS		
7	043806601	CHAIN ASSY	1	SUS		
8	703305100	+ SCREW	2	SUS	M5X10	
9	827305005	HEXAGON NUT	1	SUS	M5	
10	707820074	+ SCREW	1	SWRM	M4X6	
11	703305102	+ SCREW	2	SUS	M5X14	
12	043028402	HEAD PACKING	1	NBR		
13	743605031	HEXAGON BOLT	4	SUS	M6X18	
14	043044101	IMPELLER FIXING BUSH	1	SUS		
15	043028505	IMPELLER	1			
16	043027103	FRONT COVER	1	ADC		
17	889955125	O-RING	1	NBR	G125	
18	734505037	HEXAGON SOCKET BOLT	3	SUS	M5X20	
19	039000301	MECHANICAL SEAL	1	DE560		
20	043030001	IMPELLER WASHER	1	SUS		
21	039002501	IMPELLER ADJUSTING WASHER	2	SUS		
22	039003702	HEXAGON SOCKET BOLT	1	SUS	M10X12	
23	854255010	SEAL WASHER	1		φ 10	
24	043033401	CASING	1			
25	043032901	SUCTION	1	SUS	T=2.5	
26	043024101	STRAINER	1	NBR+SUS		
27	043035002	DELIVERY FLANGE	1	ADC		
28	043024201	STUD BOLT	3	SUS		
29	043023601	STRAINER STAND	1	SPCC	T=2.5	
30	043023901	SEAL RING	1	NBR		



DWG No.043857512

No.	PARTS CODE	PARTS NAME	QTY	MATERIAL	SIZE	REMARKS
31	043033101	ONE WAY CHECK VALVE	1	NBR		
32	827405008	HEXAGON NUT	3	SUS	M8	
33	043028301	DELIVERY PACKING	1	NBR		
34	043029001	STUD BOLT	2		M8X36X11/21	
35	846005008	WASHER	2	SUS	φ 8	
36	835305008	HEXAGON CAP NUT	3	SUS	M8	
37	043808002	ACCESSORIES SET	1			
38	940019032	HOSE BAND	1		φ 32	
39	034078101	COUPLING	1	ABS		
40	034078201	HOSE NIPPLE	1	ABS		
41	034006501	COUPLING PACKING	1	CR		
42	039010101	ROPE	1		5M	
43	034014202	SEAL RING	1	NBR		
44	034015301	+ SCREW	1	SUS	M6X8	
45	043030101	THRUST WASHER	1	SUS		
46	895154014	OIL SEAL	1		VR14A	
47	043029901	THRUST PACKING	1	CR		
48	043038001	LABEL	1			
49	845305008	TOOTHED WASHER	1	SUS	8B	
50	846505008	WASHER	1	SUS	φ 8-1.6	
51	854255008	SEAL WASHER	3		φ 8	
52	043036101	LONG PIPE	2	SUS		
53	043036201	SHORT PIPE	1	SUS		
54	043039301	CONDENSER	1		8 μ F480VAC	
54	043039201	CONDENSER	1			110v
	039038301	PARAFFIN OIL		230cc		@160/100cc
	043038201	PACKING CASE	1			
	043036802	OPERATION MANUAL	1			
	043029702	LABEL	1			
	043031102	CAUTION LABEL	1			
	043038601	DECLARATION OF CONFIRMITY	1			