

Customer	Date	12/8/2020
Contact	Project	
Phone number	Project no.	
Email		

ESHE 25-250/110/P25VSSA

101860110

Operating data

Pump type	Single head pump	Fluid	Water, pure
No. of pumps / Reserve	1 / 0	Operating temperature t A	°C 4
Nominal flow	l/s 0	pH-value at t A	7
Nominal head	m 0	Density at t A	kg/m ³ 1000
Static head	m 0	Kin. viscosity at t A	mm ² /s 1.569
Inlet pressure	kPa 0	Vapor pressure at t A	kPa 100
Environmental temperature	°C 20	Solids	0
Available system NPSH	m 0	Altitude	m 0

Pump data

Make	Lowara	Nominal	l/s ()
Speed	rpm 2900	Flow	Max- l/s 8.3
Number of stages	1	Min-	l/s 2.5
Max. casing pressure	kPa	Nominal	m
Max. working pressure	kPa 808	Head	at Qmax m 59.4
Head H(Q=0)	m 82	at Qmin	m 79.7
Weight	kg	Shaft power	kW ()
Impeller R	Max. mm 244	Max. shaft power	kW 9.6
	designed mm 244	Efficiency	%
	Min. mm 203	NPSH 3%	m
Suction nozzle	DN 50 PN 12 EN1092-2 (e-SH)	Discharge nozzle	DN 25 PN 12 EN1092-2 (e-SH)

Pump Materials

Pump body	Stainless steel / AISI 316L
Impeller	Stainless steel / AISI 316L
SEAL HOUSING	Stainless steel / AISI 316L
Wear Ring	Stainless steel / AISI 316L
Counterwear ring	Stainless steel / AISI 316L
Shaft extension	Stainless steel / AISI 316L
Rigid shaft coupling	Stainless steel / AISI 316
Impeller locknut and washer	Stainless steel / AISI 316
Tab	Stainless steel / AISI 316L

Shaft Seal

Single Seal	
e-SH - uniten	Roten
Rotating Assembly	V-Ceramic
Fixed Assembly	B-Resin impregnated carbon
Elastomers	V-FKM (FPM)
Springs	G-AISI 316
Other Components	G-AISI 316

Motor data

Manufacturer	Lowara	Electric voltage	400 V
Specific design	IE3 Three phase surface motor		
Type	PLM132.../3110 E3		
Rated power	11 kW	Electric current	20.2 A
Speed	2925 rpm	Degree of protection	IP 55
Frame size	132	Weight	70 kg
Shaft diameter	0 mm	Colour	RAL 5010
Insulation class	F		

Coupling

Manufacturer	
Series	
Type	
Frame size	
Spacer length	
Weight	
Coupling protection	

Base plate

Description	
Weight	

Remarks:

Customer	Date	12/8/2020
Contact	Project	
Phone number	Project no.	
Email		

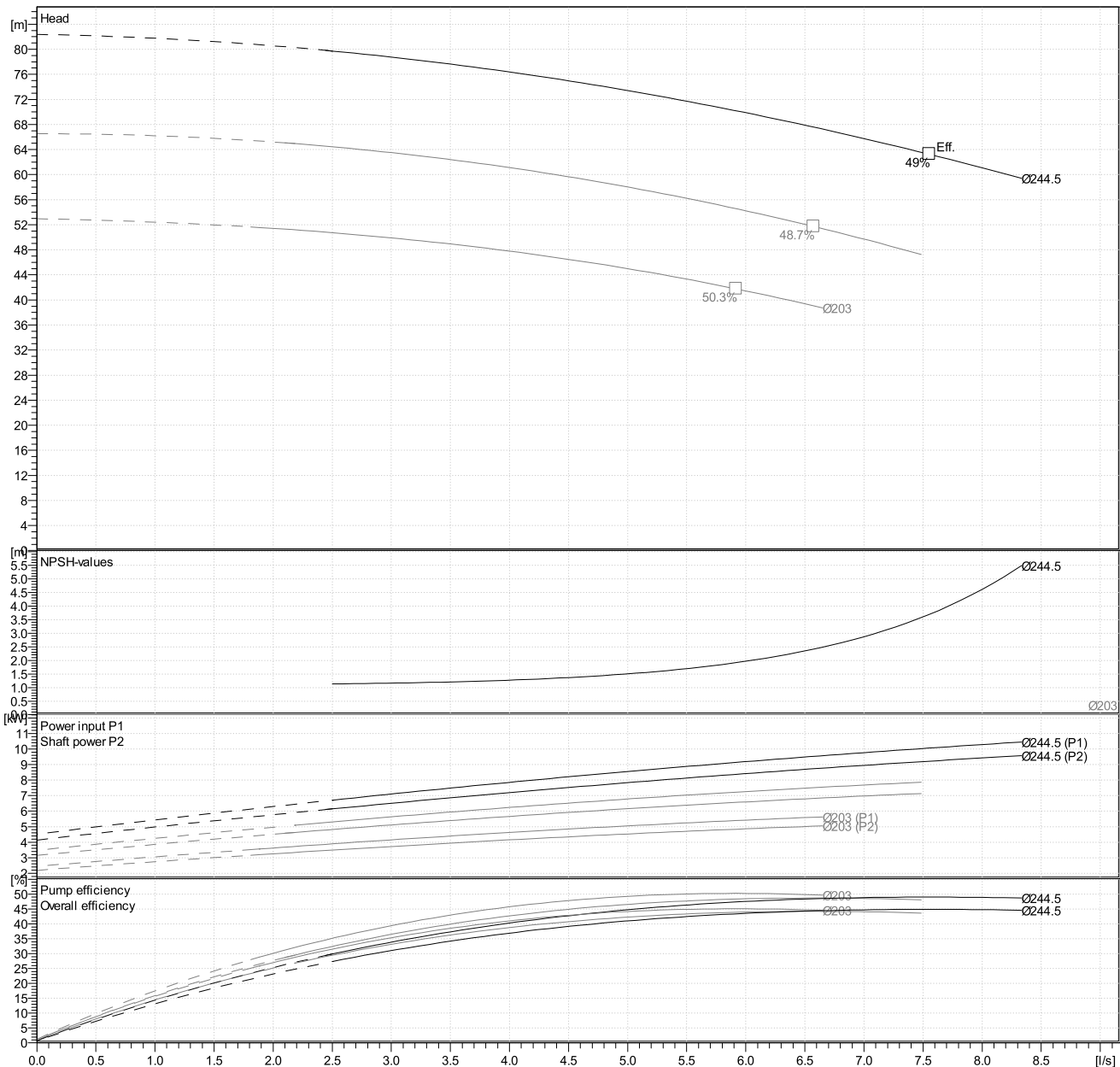
ESHE 25-250/110/P25VSSA

101860110

Hydraulic data

Operating Data Specification		Hydraulic data (duty point)		Impeller design	
Flow	0 l/s	Flow		Impeller R	244 mm
Head	0 m	Head		Frequency	50 Hz
Static head	0 m	MEI >=0,4		Speed	2900 rpm

Power data referred to:
 Water, pure [100%] ; 4°C; 1000kg/m³; 1.57mm²/s
 Performance according to ISO 9906:2012 – Grade 3B



Customer	Date	12/8/2020
Contact	Project	
Phone number	Project no.	
Email		

ESHE 25-250/110/P25VSSA
101860110

Dimensions mm/l

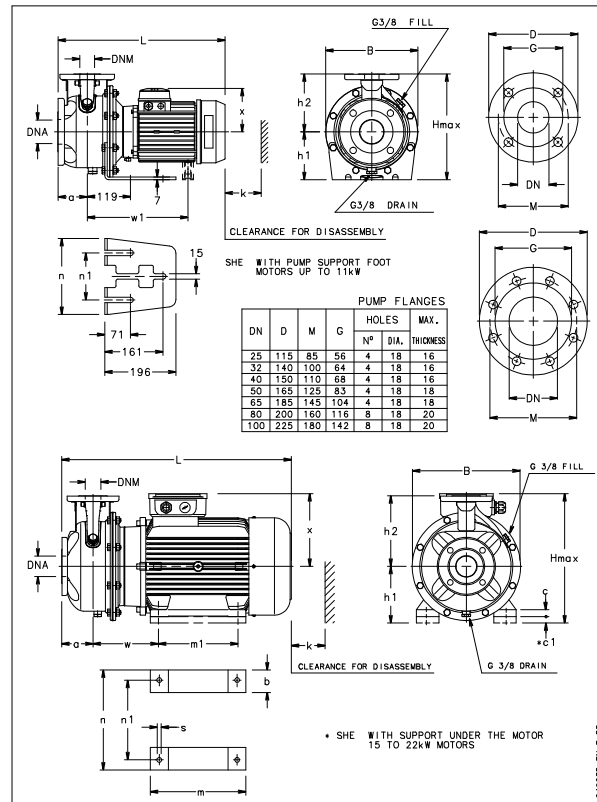
a	100		
B	345		
DNA	50		
DNM	25		
h1	180		
h2	225		
Hmax	405		
k	98		
L	605		
n	265		
n1	130		
w1	343		
x	191		
		Total weight	92 kg

Connections mm

Suction nozzle	Discharge nozzle
DN 50	DN 25
PN 12	PN 12
EN1092-2 (e-SH)	EN1092-2 (e-SH)

D	165	D	115
Dia. Holes	18	Dia. Holes	18
DN	50	DN	25
G	83	G	56
M	125	M	85
Max thickness	18	Max thickness	16
N° Holes	4	N° Holes	4

Drawing



046035-EN-LE_DB