

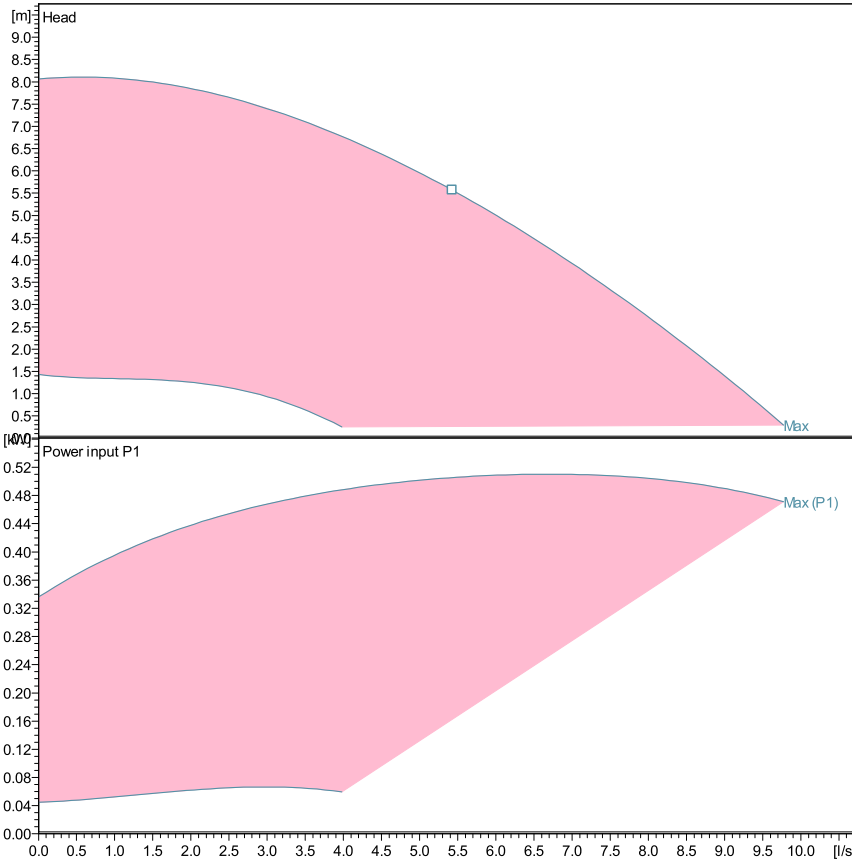


**Pump data**

Make	Lowara
Port to port (mm)	340
Electrical connection	Terminals
Specific EEI	<= 0,23
Nominal pressure	PN 6/10
Connection	Flanged / DN 65

**Electrical data**

Rated voltage	230 V
Frequency	50 / 60
Protection class	IP 44
Insulation class	F
Digital input	Contact load: 5V, 10 mA
Digital output	Vmax < 250 VAC / Imax < 2 A
Analog input	0-10 V / 4-20 mA
Leakage current	< 3.5 mA
Communication capabilities	Modbus RTU & BACnet MS/TP
Sound pressure level	<= 48 dB(A)
Rated current	2.2 A



Performance according to ISO 9906:2012 – Grade 3B

Liquid temperature:

Power data referred to:

-10°C (14°F) to +110 °C (230°F) for heating pumps

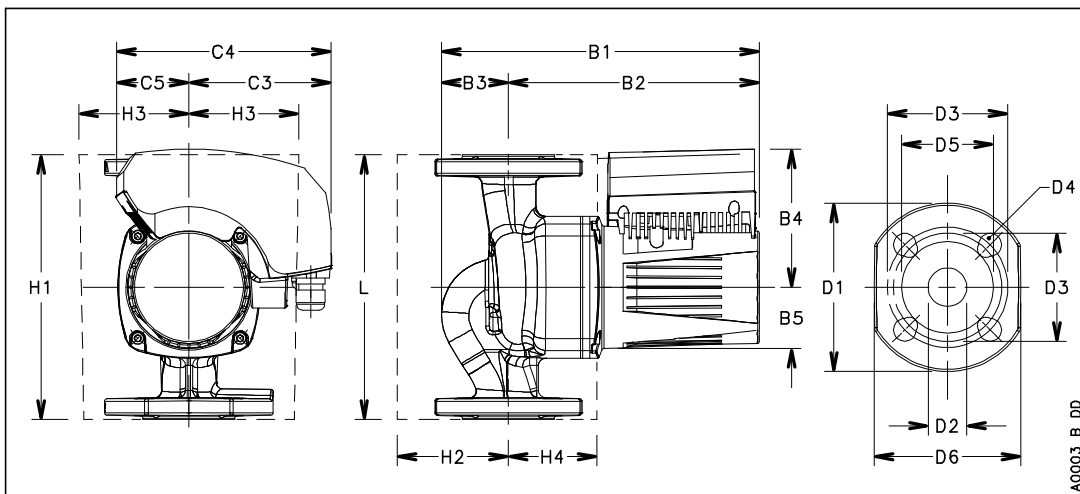
Water, pure [100%]; 4°C; 1000kg/m³; 1.57mm²/s

-10°C (14°F) to +85 °C (185°F) for domestic hot water pumps

**Materials**

Bush Bearing	Carbon, resin impregnated	Impeller	PPS
Thrust bearing	Aluminium	Wear Ring	Stainless steel
Bearing plate	Stainless steel	Rotor can	Stainless steel
Motor housing	Aluminum	Shaft	Stainless steel
O-rings	EPDM	Control box	Poly carbonate
PUMP HOUSING	Stainless steel		

**Dimensions mm**



B1	364
B2	267
B3	97
B4	132
B5	53
C3	128
C4	206
C5	78
D1	185
D2	65
D3	130/145
D4	4 x 14/19
D5	118
G	DN 65
Gross Weight	24.2
H1	340
H2	112
H3	106
H4	108
L	340
Net Weight	18.9