

Performance according to ISO 9906:2012 – Grade 3B

Power data referred to:

Water, pure [100%]; 4°C; 1000kg/m³; 1.57mm²/s

Liquid temperature:

-10°C (14°F) to +110 °C (230°F) for heating pumps

-10°C (14°F) to +85 °C (185°F) for domestic hot water pumps



Pump data

| | |
|-----------------------|-----------------|
| Make | Lowara |
| Port to port (mm) | 220 |
| Electrical connection | Terminals |
| Specific EEI | <= 0,23 |
| Nominal pressure | PN 6/10 |
| Connection | Flanged / DN 32 |

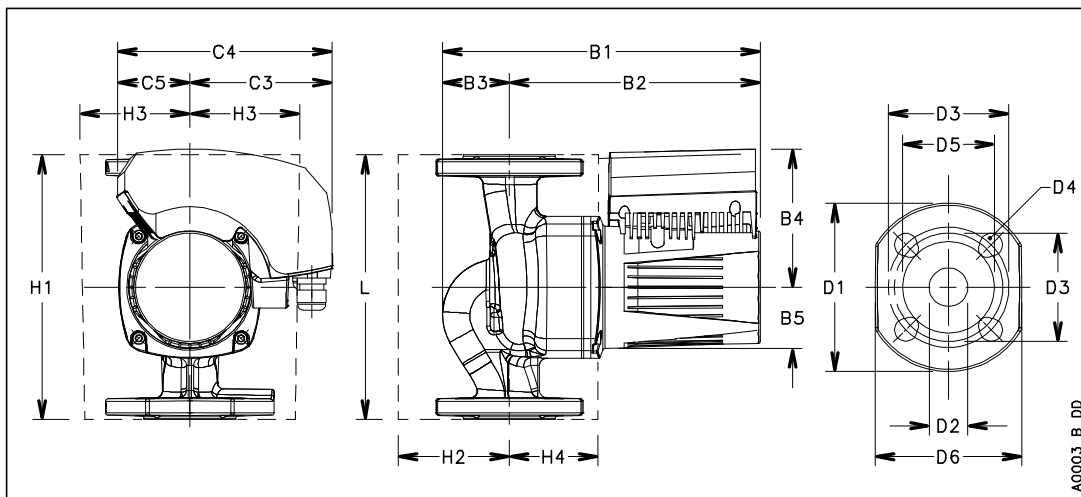
Electrical data

| | |
|----------------------------|-----------------------------|
| Rated voltage | 230 V |
| Frequency | 50 / 60 |
| Protection class | IP 44 |
| Insulation class | F |
| Digital input | Contact load: 5V, 10 mA |
| Digital output | Vmax < 250 VAC / Imax < 2 A |
| Analog input | 0-10 V / 4-20 mA |
| Leakage current | < 3.5 mA |
| Communication capabilities | Modbus RTU & BACnet MS/TP |
| Sound pressure level | <= 48 dB(A) |
| Rated current | 2.4 A |

Materials

| | | | |
|---------------------|---------------------------|-------------|-----------------|
| Bush Bearing | Carbon, resin impregnated | Impeller | PPS |
| Thrust bearing | Aluminium | Wear Ring | Stainless steel |
| Bearing plate | Stainless steel | Rotor can | Stainless steel |
| Motor housing | Aluminum | Shaft | Stainless steel |
| O-rings | EPDM | Control box | Poly carbonate |
| PUMP HOUSING | Stainless steel | | |

Dimensions mm



| | |
|--------------|-----------|
| B1 | 322 |
| B2 | 252 |
| B3 | 70 |
| B4 | 132 |
| B5 | 53 |
| C3 | 128 |
| C4 | 206 |
| C5 | 78 |
| D1 | 140 |
| D2 | 32 |
| D3 | 90/100 |
| D4 | 4 x 14/19 |
| D5 | 76 |
| G | DN 32 |
| Gross Weight | 16.8 |
| H1 | 220 |
| H2 | 83 |
| H3 | 83 |
| H4 | 83 |
| L | 220 |
| Net Weight | 13 |