

# Samsump



The Samsump is a robust, submersible sump pump, constructed in fibre-reinforced plastic, giving resistance to corrosion. It is ideal for permanent installation, where reliable, automatic operation is essential.

The compact size of the Samsump allows it to fit into a sump hole measuring 200mm x 200mm deep.

#### APPLICATIONS

- Small water features
- Cellars and basements
- Domestic and industrial use
- Final effluent
- Nuisance water
- Marine application

#### FEATURES

- Constructed of fibre-reinforced plastic
- Mechanical seal
- Submersible
- Lipseal
- 9-9.5mm solids handling
- 0.25kW output
- 32mm discharge

\* Automatic version with float

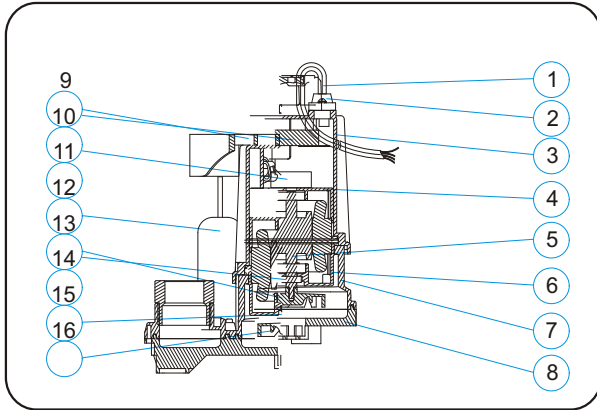
\* Handy Hint! If you would like a similar pump but with larger solids handling, please see the Goliath Super.

Performance						
Model	Head(M)	0	2	4	6	7.6
Samsump	L/min	160	135	105	55	0
	M <sup>3</sup> /hr	9.6	8.1	6.3	3.3	0

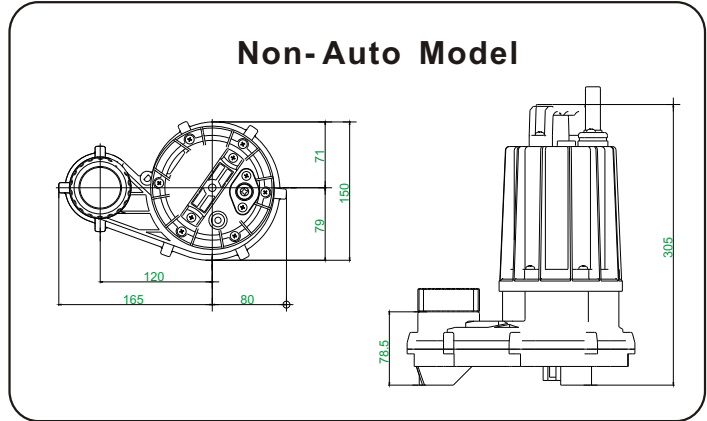
T-T Pumps Ltd, Onneley Works, Cheshire, CW3 9RU

www.ttpumps.com E-mail: response@ttpumps.com Tel: 01630 647200

## Construction



## Dimension



NO.	PART	
1	Cable	H05RN-F/SJTW-18AWG
2	Cable gland	PVC
3	Motor Housing	PP+30%G.F.
4	Upper Bearing Housing	ADC12
5	Shaft	SS45C
6	Lower Bearing Housing	ADC12 with Corrosion Resist Coating
7	Pump Volute	PP+30%G.F.
8	Base Screen	PP+30%G.F.
9	Handle	PP+30%G.F.
10	Float Swith	UL Approval Mechanical Type
11	Capacitor	110V (15 $\mu$ f), 220V(6 $\mu$ f)
12	Floater	ABS
13	Bearing	NTN 6200/6201
14	Oil Seal	NBR
15	Mech. Seal	CA/CE(EKK)
16	Impeller	NYLON66+30%G.F.

