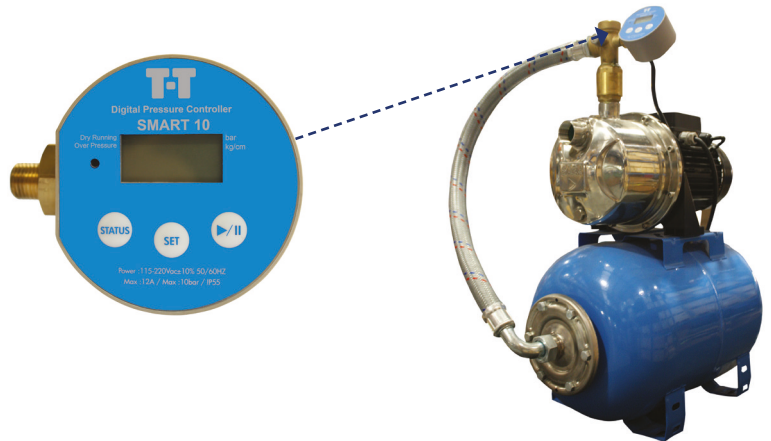


## Pressure controller

The easy to set up and reliable device, Smart 10 is a pressure controller for domestic and industrial use. Designed with usability in mind this device can be used for pump control, pressure regulation and booster systems.

### Features:

- Compact, lightweight design, only 0.5kg
- Built for reliability
- Easy to set up and use
- Digital pressure switch which can completely replace the traditional pressure switch
- Digital pressure switch offers high accuracy and resolution (Accuracy:  $\pm 1\%$  F.S. / Resolution: 0.01 bar/0.01kg/cm<sup>2</sup>/0.1psi)
- Dry running protection
- Delayed shutdown function
- Pressure setting range is adjustable from 0~10 bar



## TECHNICAL SPECIFICATION

PUMP TYPE	PRODUCT CODE	MAX PRESSURE bar	WEIGHT kg
Smart 10 Pressure Controller	PHS/SMART10	10	0.4

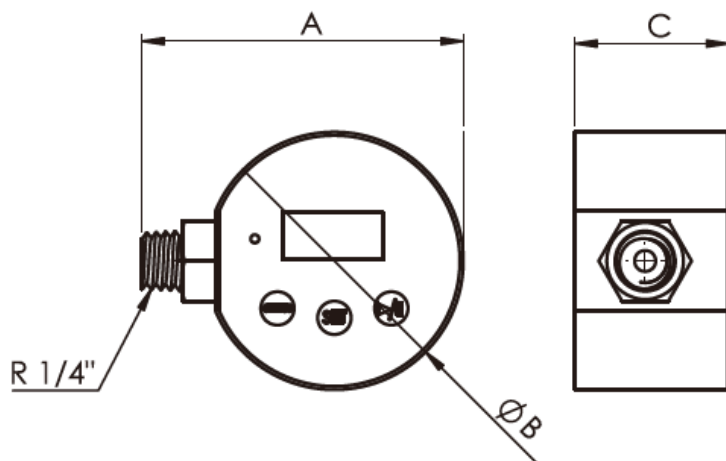
## PROFILE

- Setting pressure limits as required
- Clearly indicated by 4-way LED indicator
- Built in relay signal output to avoid the device operating too frequently
- Longer life design compared with traditional pressure switch
- Within 1% controlling accuracy
- Anti-vibration design
- Display and control the pressure in real time
- Adjustable setting design upper/lower limit value alarm point/dry running detection time
- If connected to contactor in a control panel then the controller operates with larger pumps.

## SPECIFICATION

- Max. allowable pressure: 10 bar/10kg/cm<sup>2</sup>/150psi
- Power supply: 115V-220VAC  $\pm 10\%$  50/60Hz
- Pressure connection: 1/4" BSP
- Accuracy: better than 1%F.S. (@25°C $\pm$ 3°C)
- Sampling rate: 5 times/second
- Overload capacity: 150%F.S.
- Relay capacity: 110V for 1HP or 220V for 2HP (Max. Motor Size)
- Max. current: 12A
- Working temperature: -10°C~65°C
- Material of pressure port: Bronze

## DIMENSIONAL DRAWING



Type	A	ØB	C
SMART 10	96	77	46