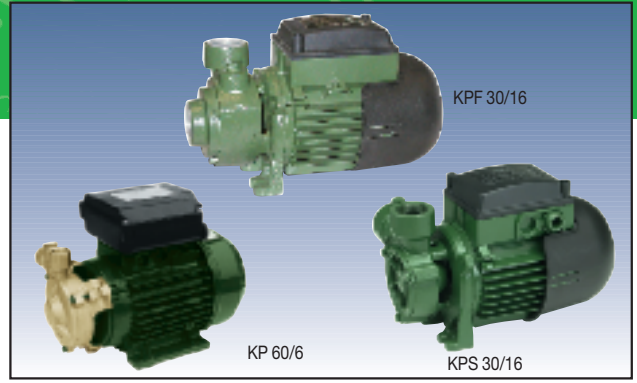


# KPS - KPF - KP PERIPHERAL PUMPS



Peripheral centrifugal pump, reduced encumbrance, able to generate high heads, it is suitable for domestic use and small industrial uses.

Pump body and motor support in brass for the KP 60 version, in cast iron for the KPS 30 and KP 38 versions. Brass impeller. Mechanical seal in carbon/ceramic. Asynchronous, closed motor, cooled by external ventilation.

Built-in thermal and current overload protection and a capacitor permanently on in the single-phase version. For the protection of the three-phase motor it is advisable to use a suitable overload protection complying with the regulations in force.

**Operating range:** from 1 to 50 l/min. with head up to 107 metres.

**Liquid temperature range:** from 0°C to +35°C for domestic use, from -10°C to +80°C (from -10°C to +50°C for the KPS 30 and KP 38 versions) for other uses.

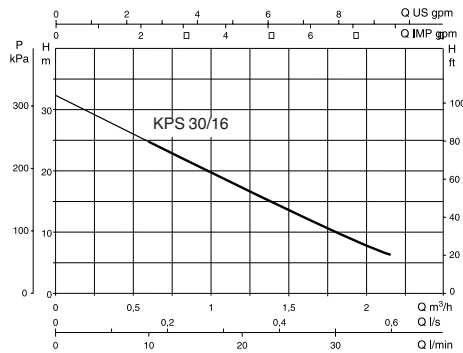
**Pumped liquid characteristics:** clean, free from solids or abrasive substances, not viscous, not aggressive, not crystallised and chemically neutral.

**Maximum ambient temperature:** +40°C

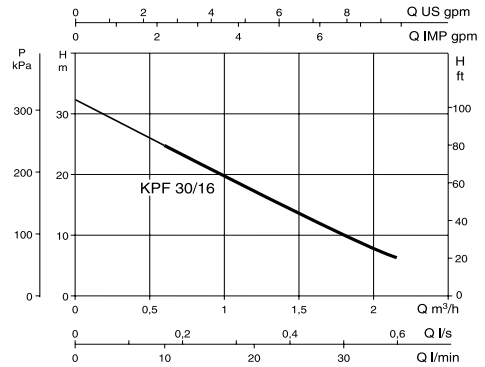
**Maximum working pressure:** 10 bar (6 bar for the KPS 30/16 version and KP 60/12).

**Protection level:** IP 44 **Insulation class:** F

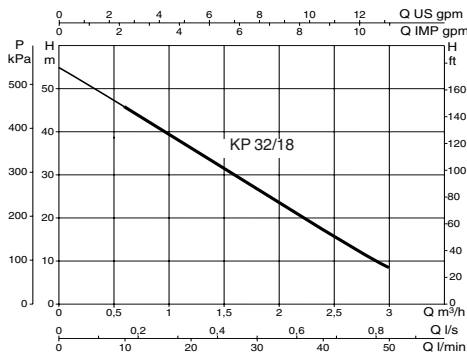
## KPS



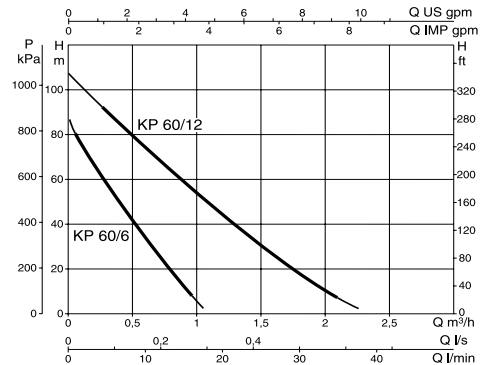
## KPF



## KP 38/18



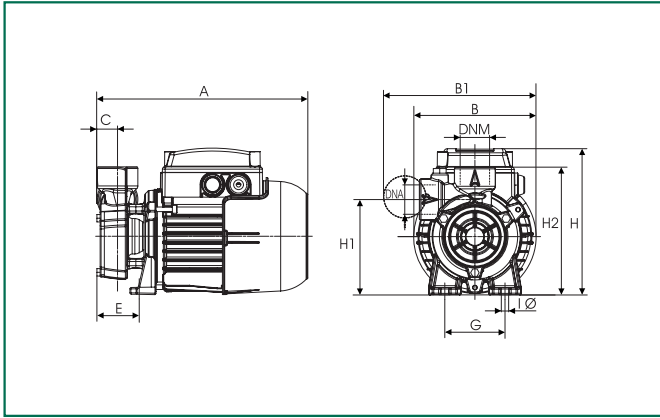
## KP 60/6 - 60/12



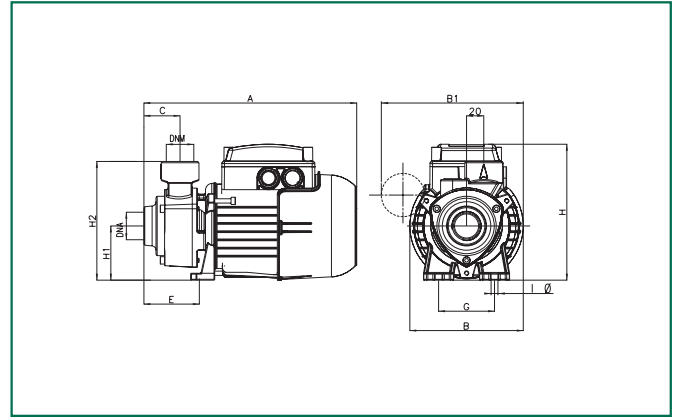
| MODEL       | ELECTRICAL DATA  |                 |               |     |           |                      | HYDRAULIC DATA     |       |      |     |     |      |      |      |      |     |    |   |  |  |  |  |
|-------------|------------------|-----------------|---------------|-----|-----------|----------------------|--------------------|-------|------|-----|-----|------|------|------|------|-----|----|---|--|--|--|--|
|             | VOLTAGE<br>50 Hz | P1<br>MAX<br>kW | P2            |     | In<br>A   | CAPACITOR<br>μF   Vc | Q<br>m³/h<br>l/min | Q IMP |      |     |     |      |      |      |      |     |    |   |  |  |  |  |
|             |                  |                 | NOMINAL<br>kW | HP  |           |                      |                    | 0     | 0,3  | 0,6 | 0,9 | 0,96 | 1,2  | 1,8  | 2,16 | 2,4 | 3  |   |  |  |  |  |
| KPS 30/16 M | 1x220-240 V~     | 0,47            | 0,3           | 0,4 | 2         | 8                    | 450                | H (m) | 32,5 | 28  | 25  | 22   | 20   | 17,5 | 10   | 6   |    |   |  |  |  |  |
| KPS 30/16 T | 3x230/400 V~     | 0,42            | 0,3           | 0,4 | 1,4-0,8   | -                    | -                  | H (m) | 32,5 | 31  | 25  | 22   | 17,5 | 10   | 6    |     |    |   |  |  |  |  |
| KPF 30/16 M | 1x220-240 V~     | 0,53            | 0,37          | 0,5 | 2,37      | 8                    | 450                | H (m) | 32,5 | 31  | 25  | 22   | 17,5 | 10   | 6    |     |    |   |  |  |  |  |
| KPF 30/16 T | 3x230/400 V~     | 0,47            | 0,37          | 0,5 | 1,45-0,82 | -                    | -                  | H (m) | 32,5 | 31  | 25  | 22   | 17,5 | 10   | 6    |     |    |   |  |  |  |  |
| KP 38/18 M  | 1x220-240 V~     | 0,86            | 0,6           | 0,8 | 3,8       | 12,5                 | 450                | H (m) | 54   | 50  | 46  | 41   | 40   | 36   | 27,5 | 25  | 22 | 9 |  |  |  |  |
| KP 38/18 T  | 3x230/400 V~     | 0,81            | 0,6           | 0,8 | 2,6-1,5   | -                    | -                  | H (m) | 54   | 50  | 46  | 41   | 40   | 36   | 27,5 | 25  | 22 | 9 |  |  |  |  |
| KP 60/6 M   | 1x220-240 V~     | 0,54            | 0,37          | 0,5 | 2,4       | 10                   | 450                | H (m) | 87   | 57  | 33  | 13   | 9    |      |      |     |    |   |  |  |  |  |
| KP 60/6 T   | 3x230/400 V~     | 0,52            | 0,37          | 0,5 | 1,8-1     | -                    | -                  | H (m) | 87   | 57  | 33  | 13   | 9    |      |      |     |    |   |  |  |  |  |
| KP 60/12 M  | 1x220-240 V~     | 1,15            | 0,75          | 1   | 5,2       | 20                   | 450                | H (m) | 107  | 91  | 74  | 58   | 55   | 43   | 17   | 7   |    |   |  |  |  |  |
| KP 60/12 T  | 3x230/400 V~     | 1,12            | 0,75          | 1   | 3,8-2,2   | -                    | -                  | H (m) | 107  | 91  | 74  | 58   | 55   | 43   | 17   | 7   |    |   |  |  |  |  |

## DIMENSIONS AND WEIGHTS

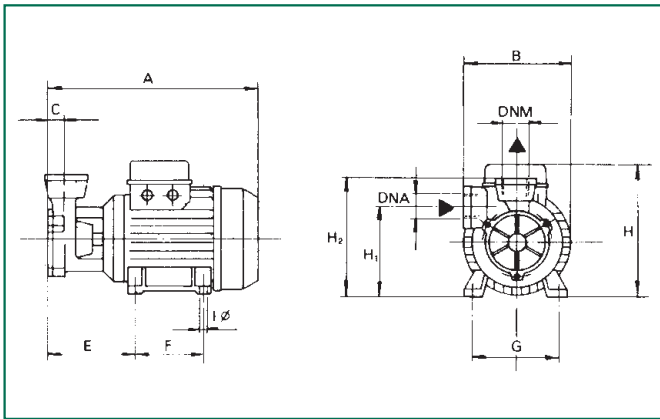
### KPS



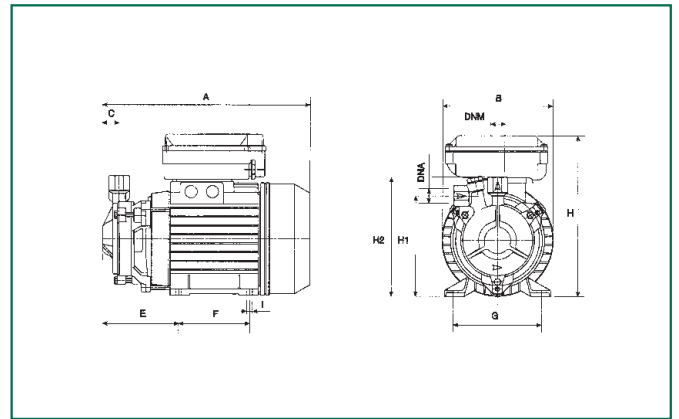
### KPF



### KP 30/16



### KP 60/6 - KP 60/12



| MODEL             | A   | B   | B1  | C  | E   | F  | G   | I Ø | H   | H1  | H2  | DNA    | DNM    | PACKAGING DIMENSIONS |     |     | WEIGHT Kg |
|-------------------|-----|-----|-----|----|-----|----|-----|-----|-----|-----|-----|--------|--------|----------------------|-----|-----|-----------|
|                   |     |     |     |    |     |    |     |     |     |     |     |        |        | L/A                  | L/B | H   |           |
| <b>KPS 30/16</b>  | 228 | 132 | 165 | 22 | 46  | -  | 65  | 8   | 158 | 103 | 138 | 1" G   | 1" G   | 259                  | 164 | 197 | 5,3       |
| <b>KPF 30/16</b>  | 247 | 132 | 165 | 42 | 64  | -  | 65  | 8   | 158 | 63  | 138 | 1" G   | 1" G   | 262                  | 140 | 180 | 5,4       |
| <b>KP 38/18</b>   | 255 | 130 | -   | 26 | 106 | 80 | 100 | 7   | 186 | 108 | 153 | 1" G   | 1" G   | 271                  | 176 | 209 | 7,5       |
| <b>KP 60/6 M</b>  | 262 | 142 | -   | 21 | 96  | 90 | 112 | 7   | 204 | 127 | 151 | 1/2" G | 1/2" G | 406                  | 267 | 402 | 8,2       |
| <b>KP 60/6 T</b>  | 262 | 142 | -   | 21 | 96  | 90 | 112 | 7   | 173 | 127 | 151 | 1/2" G | 1/2" G | 406                  | 267 | 402 | 7,9       |
| <b>KP 60/12 M</b> | 262 | 142 | -   | 20 | 96  | 90 | 112 | 7   | 204 | 126 | 161 | 3/4" G | 3/4" G | 406                  | 267 | 402 | 10,1      |
| <b>KP 60/12 T</b> | 262 | 142 | -   | 20 | 96  | 90 | 112 | 7   | 173 | 126 | 161 | 3/4" G | 3/4" G | 406                  | 267 | 402 | 9,90      |