

3 KVC

SETS WITH 3 VERTICAL MULTISTAGE CENTRIFUGAL PUMPS



Water lifting sets specifically suitable for domestic applications and small systems for civil, agricultural or industrial uses.

The use of multistage vertical axis centrifugal pumps is a guarantee of high performance and efficiency levels. These pumps are characterised by their compact dimensions, rugged construction, extreme reliability and very low noise operation.

Control panel in impact-resistant self-extinguishing plastic with IP 55 protection rating. The control panel enclosure houses the main power switch, thermal magnetic cut-outs to protect the electric pumps, electric pump starting sequence changeover system, low voltage 24V control circuit, MAN-0-AUT selectors, (start

pushbuttons for single-phase version panel), indicator lights on front panel.

Installed on specifically designed column mounted on pumps skid.

3 preset pressure switches for pumps starting / stopping. The control panel of 2KVC and 3KVC pump sets is prearrange for connection of:

Pressure switch or float switch kit to protect against dry running (*)

Overpressure cut-out pressure switch kit (*)

(*) Optional items available on request

The pump sets are supplied in a strong carton on a wooden pallet complete with installation/maintenance instructions and wiring diagram.

TECHNICAL DATA

MODEL	CODE	ELECTRICAL DATA			MAX PRESSURE OBTAINABLE BAR	PRESSURE SWITCH SETTING IN BAR	
		VOLTAGE 50 Hz	P2 NOMINAL				In A
			KW X3	HP X 3			
3KVC 30/50 M 230-50	60122153	1 X 230 V ~	0,55	0,75	3x 4	4	1,5 – 3,5
3KVC 30/50 T 400-50	60122164	3 X 400 V ~	0,55	0,75	3x 1,4	4	1,5 – 3,5
3KVC 40/50 M 230-50	60122154	1 X 230 V ~	0,8	1,1	3x 5,6	5,2	3 – 5
3KVC 40/50 T 400-50	60122165	3 X 400 V ~	0,8	1,1	3x 2,2	5,2	3 – 5
3KVC 55/50 M 230-50	60122155	1 X 230 V ~	1	1,36	3x 6,4	6,5	4 – 6
3KVC 55/50 T 400-50	60122167	3 X 400 V ~	1	1,36	3x 2,6	6,5	4 – 6
3KVC 65/50 M 230-50	60122156	1 X 230 V ~	1,1	1,5	3x 7,4	8	5,5 – 7,5
3KVC 65/50 T 400-50	60122168	3 X 400 V ~	1,1	1,5	3x 3,1	8	5,5 – 7,5
3KVC 75/50 M 230-50	60122157	1 X 230 V ~	1,5	2	3x 9	9	6,5 – 8,5
3KVC 75/50 T 400-50	60122169	3 X 400 V ~	1,5	2	3x 3,6	9	6,5 – 8,5
3KVC 30/80 M 230-50	60122158	1 X 230 V ~	0,8	1,1	3x 5,6	4,5	2 – 4
3KVC 30/80 T 400-50	60122170	3 X 400 V ~	0,8	1,1	3x 2,2	4,5	2 – 4
3KVC 40/80 M 230-50	60122159	1 X 230 V ~	1	1,36	3x 6,5	5,5	3 – 5
3KVC 40/80 T 400-50	60122171	3 X 400 V ~	1	1,36	3x 2,6	5,5	3 – 5
3KVC 45/80 M 230-50	60122160	1 X 230 V ~	1,1	1,5	3x 7,4	6,8	4 – 6
3KVC 45/80 T 400-50	60122173	3 X 400 V ~	1,1	1,5	3x 3,1	6,8	4 – 6
3KVC 55/80 M 230-50	60122161	1 X 230 V ~	1,5	2	3x 9	8	5 – 7
3KVC 55/80 T 400-50	60122174	3 X 400 V ~	1,5	2	3x 3,6	8	5 – 7
3KVC 65/80 T 400-50	60122175	3 X 400 V ~	2,2	3	3x 4	9,2	6 – 8
3KVC 35/120 M 230-50	60122162	1 X 230 V ~	1,1	1,5	3x 7,4	4,5	2 – 4
3KVC 35/120 T 400-50	60122176	3 X 400 V ~	1,1	1,5	3x 3,5	4,5	2 – 4
3KVC 45/120 M 230-50	60122163	1 X 230 V ~	1,85	2,5	3x 12	6	3,5 – 5,5
3KVC 45/120 T 400-50	60122177	3 X 400 V ~	1,85	2,5	3x 4,6	6	3,5 – 5,5
3KVC 60/120 T 400-50	60122178	3 X 400 V ~	2,2	3	3x 5,4	7,5	4,5 – 6,5
3KVC 70/120 T 400-50	60122179	3 X 400 V ~	3	4	3x 6,8	9	6 – 8
3KVC 85/120 T 400-50	60122180	3 X 400 V ~	3	4	3x 7,8	10,5	8 – 10

The sets are supplied as standard with tanks and with air supply connector.

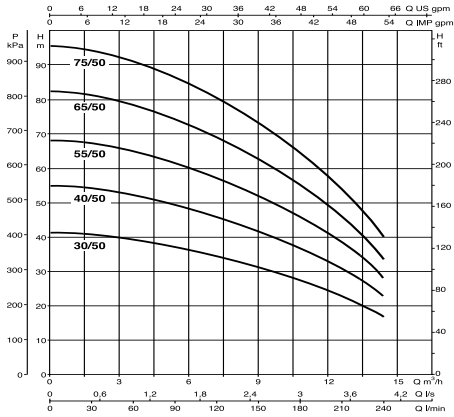


DAB PUMPS reserves the right to make modifications without notice

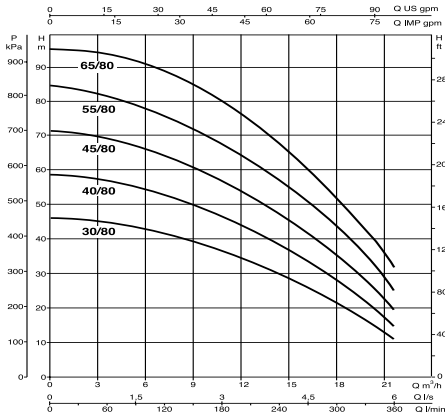
3 KVC

SETS WITH 3 VERTICAL MULTISTAGE CENTRIFUGAL PUMPS

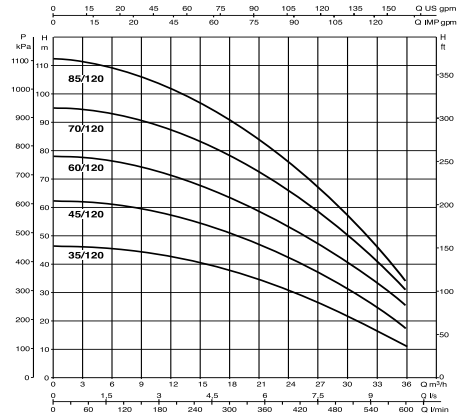
3 KVC 50



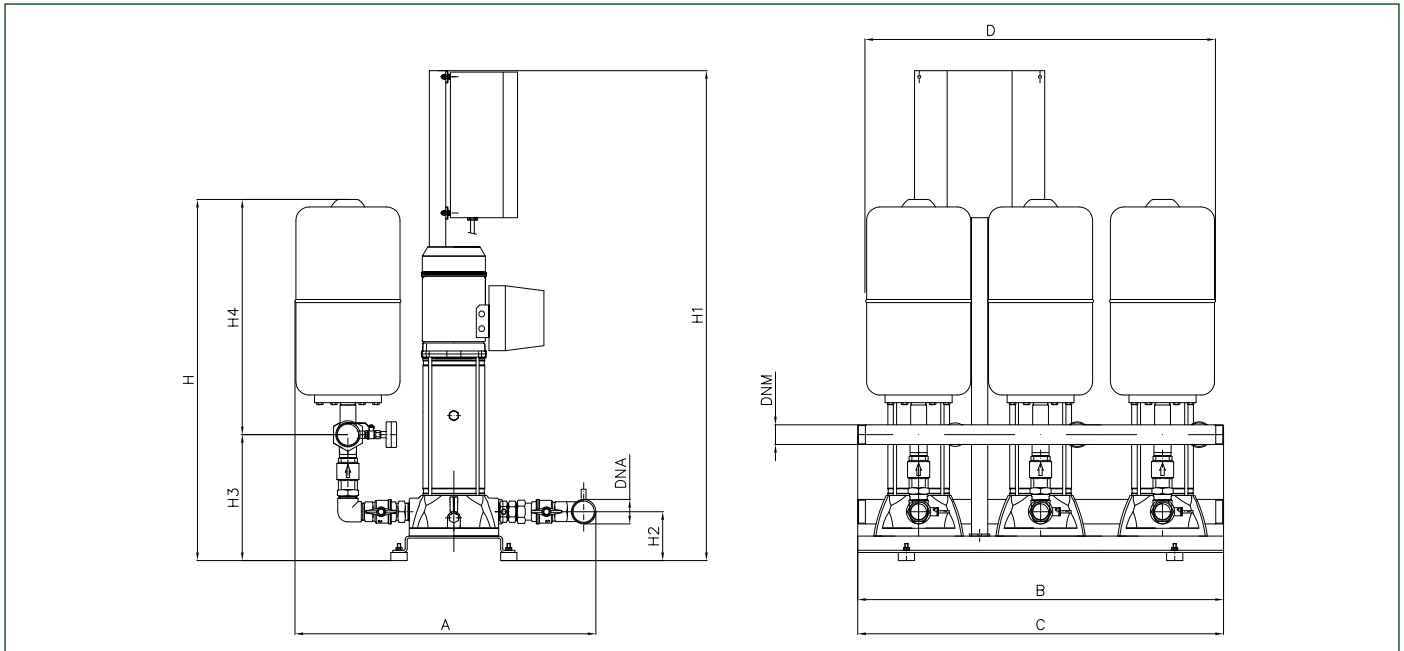
3 KVC 80



3 KVC 120



DIMENSIONS AND WEIGHTS



MODEL	A	B	C	D	P	H	H1	H2	H3	H4	Ø MANIFOLD		WEIGHT Kg	
											DNA (suction)	DNM (delivery)	Single-Phase	Three-Phase
3KVC 30/50	650	900	810	850	-	950	1100	100	410	610	2" 1/2	2" 1/2	109	109
3KVC 40/50	650	900	810	850	-	950	1100	100	410	610	2" 1/2	2" 1/2	115	115
3KVC 55/50	650	900	810	850	-	950	1100	100	410	610	2" 1/2	2" 1/2	119	119
3KVC 65/50	650	900	810	850	-	950	1100	100	410	610	2" 1/2	2" 1/2	128	127
3KVC 75/50	650	900	810	850	-	950	1100	100	410	610	2" 1/2	2" 1/2	132	130
3KVC 30/80	650	900	810	850	-	950	1100	100	410	610	2" 1/2	2" 1/2	115	114
3KVC 40/80	650	900	810	850	-	950	1100	100	410	610	2" 1/2	2" 1/2	119	119
3KVC 45/80	650	900	810	850	-	950	1100	100	410	610	2" 1/2	2" 1/2	128	128
3KVC 55/80	650	900	810	850	-	950	1100	100	410	610	2" 1/2	2" 1/2	131	128
3KVC 65/80	650	900	810	850	-	950	1100	100	410	610	2" 1/2	2" 1/2	-	133
3KVC 35/120	650	900	810	850	-	950	1100	100	410	610	2" 1/2	2" 1/2	128	128
3KVC 45/120	650	900	810	850	-	950	1100	100	410	610	2" 1/2	2" 1/2	134	134
3KVC 60/120	650	900	810	850	-	950	1100	100	410	610	2" 1/2	2" 1/2	-	140
3KVC 70/120	650	900	810	850	-	950	1100	100	410	610	2" 1/2	2" 1/2	-	146
3KVC 85/120	650	900	810	850	-	950	1100	100	410	610	2" 1/2	2" 1/2	-	148