

2 EURO / 2 EUROINOX SETS WITH 2 HORIZONTAL MULTISTAGE EURO



CE Booster set with 2 EURO centrifugal pumps complete with baseplate, suction and delivery manifold, 2 membrane vessels and control panel supplied complete with: Automatic inverter for exchanging the order of pump starting at each start-up
MAIN SWITCH.
Float or pressure switch can be inserted as protection against operation without water.

Low voltage auxiliary circuit complete with transformer and fuse.

The units are supplied with tanks and with air connector

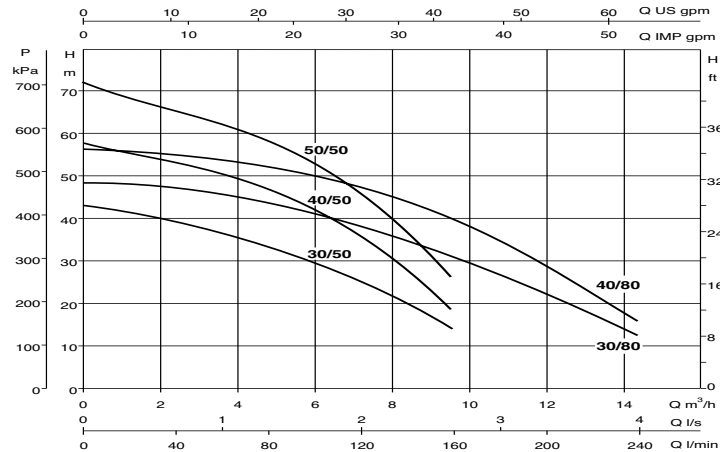
TECHNICAL DATA

MODEL	CODE	ELECTRICAL DATA				MAX PRESSURE OBTAINABLE BAR	PRESSURE SWITCH SETTING IN BAR
		VOLTAGE 50 Hz	P2 NOMINAL		In A		
			KW X2	HP X2			
2 EURO 30/50 M	500127100	1 X 230 V ~	0,55	0,75	2x3,9	3,8	2÷3,3
2 EURO 30/50 T	500127600	3 X 400 V ~	0,55	0,75	2x1,6	3,8	2÷3,3
2 EURO 40/50 M	500127150	1 X 230 V ~	0,75	1	2x5,3	5,3	3÷4,5
2 EURO 40/50 T	500127650	3 X 400 V ~	0,75	1	2x2,2	5,3	3÷4,5
2 EURO 50/50 M	500127200	1 X 230 V ~	1	1,36	2x6,3	6,5	4÷5,5
2 EURO 50/50 T	500127700	3 X 400 V ~	1	1,36	2x2,5	6,5	4÷5,5
2 EURO 30/80 M	500127250	1 X 230 V ~	0,8	1,1	2x5,3	4,3	2,5÷3,8
2 EURO 30/80 T	500127750	3 X 400 V ~	0,8	1,1	2x2,2	4,3	2,5÷3,8
2 EURO 40/80 M	500127300	1 X 230 V ~	1	1,36	2x6,3	5,5	3,8÷5,2
2 EURO 40/80 T	500127800	3 X 400 V ~	1	1,36	2x2,5	5,5	3,8÷5,2

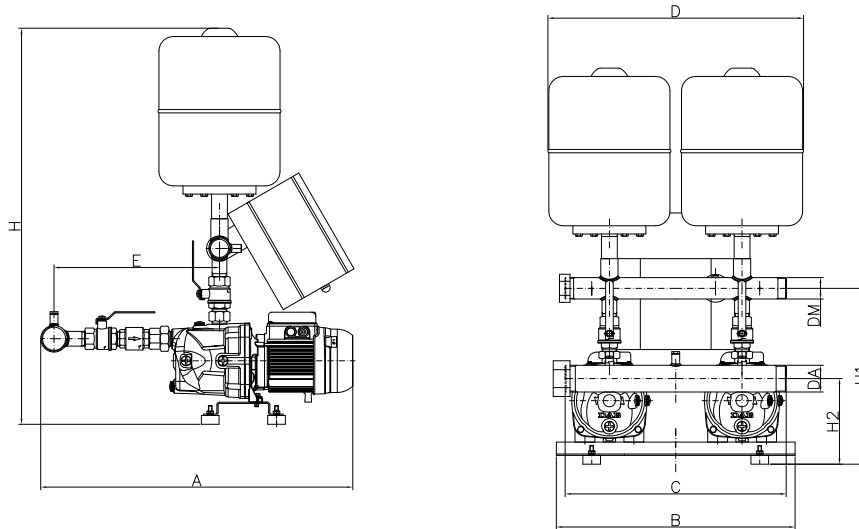
MODEL	CODE	ELECTRICAL DATA				MAX PRESSURE OBTAINABLE BAR	PRESSURE SWITCH SETTING IN BAR
		VOLTAGE 50 Hz	P2 NOMINAL		In A		
			KW X2	HP X2			
2 EUROINOX 30/50 M	500128100	1 X 230 V ~	0,55	0,75	2x3,9	3,8	2÷3,3
2 EUROINOX 30/50 T	500128600	3 X 400 V ~	0,55	0,75	2x1,6	3,8	2÷3,3
2 EUROINOX 40/50 M	500128150	1 X 230 V ~	0,75	1	2x5,3	5,3	3÷4,5
2 EUROINOX 40/50 T	500128650	3 X 400 V ~	0,75	1	2x2,2	5,3	3÷4,5
2 EUROINOX 50/50 M	500128200	1 X 230 V ~	1	1,36	2x6,3	6,5	4÷5,5
2 EUROINOX 50/50 T	500128700	3 X 400 V ~	1	1,36	2x2,5	6,5	4÷5,5
2 EUROINOX 30/80 M	500128250	1 X 230 V ~	0,8	1,1	2x5,3	4,3	2,5÷3,8
2 EUROINOX 30/80 T	500128750	3 X 400 V ~	0,8	1,1	2x2,2	4,3	2,5÷3,8
2 EUROINOX 40/80 M	500128300	1 X 230 V ~	1	1,36	2x6,3	5,5	3,8÷5,2
2 EUROINOX 40/80 T	500128800	3 X 400 V ~	1	1,36	2x2,5	5,5	3,8÷5,2

The set is supplied assembled, tested, in a strong carton on a wooden pallet complete with instruction leaflet and wiring diagram.
Available on request the 3x230 V version

2 EURO / 2 EUROINOX SETS WITH 2 HORIZONTAL MULTISTAGE EURO



DIMENSIONS AND WEIGHTS



MODEL	A	B	C	D	E	H	H1	H2	Ø MANIFOLD		WEIGHT Kg
									SUCTION	DELIVERY	
2 EURO 30/50 M	755	540	500	578	415	890	402	194	2"	1 1/2"	57
2 EURO 30/50 T	755	540	500	578	415	890	402	194	2"	1 1/2"	57
2 EURO 40/50 M	755	540	500	578	415	890	402	194	2"	1 1/2"	57
2 EURO 40/50 T	755	540	500	578	415	890	402	194	2"	1 1/2"	57
2 EURO 50/50 M	755	540	500	578	415	890	402	194	2"	1 1/2"	57
2 EURO 50/50 T	755	540	500	578	415	890	402	194	2"	1 1/2"	58
2 EURO 30/80 M	755	540	500	578	415	890	402	194	2"	1 1/2"	57
2 EURO 30/80 T	755	540	500	578	415	890	402	194	2"	1 1/2"	57
2 EURO 40/80 M	755	540	500	578	415	890	402	194	2"	1 1/2"	57
2 EURO 40/80 T	755	540	500	578	415	890	402	194	2"	1 1/2"	58
2 EUROINOX 30/50 M	760	540	500	578	450	830	420	194	2"	1 1/2"	57
2 EUROINOX 30/50 T	760	540	500	578	450	830	420	194	2"	1 1/2"	57
2 EUROINOX 40/50 M	760	540	500	578	450	830	420	194	2"	1 1/2"	57
2 EUROINOX 40/50 T	760	540	500	578	450	830	420	194	2"	1 1/2"	57
2 EUROINOX 50/50 M	760	540	500	578	450	830	420	194	2"	1 1/2"	56
2 EUROINOX 50/50 T	760	540	500	578	450	830	420	194	2"	1 1/2"	58
2 EUROINOX 30/80 M	760	540	500	578	450	830	420	194	2"	1 1/2"	57
2 EUROINOX 30/80 T	760	540	500	578	450	830	420	194	2"	1 1/2"	57
2 EUROINOX 40/80 M	760	540	500	578	450	830	420	194	2"	1 1/2"	56
2 EUROINOX 40/80 T	760	540	500	578	450	830	420	194	2"	1 1/2"	58