

## BS 2670 HT 3~ 251

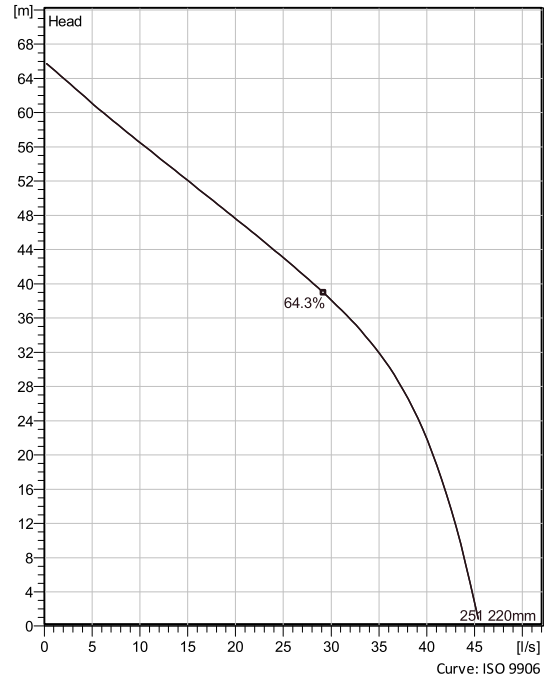
Portable pumps ideal for applications in which the water or liquid contains concentrations of abrasives.



### Technical specification



Curves according to: Water, pure ,4 °C,999.9 kg/m<sup>3</sup>,1.5692 mm<sup>2</sup>/s



### Configuration

<b>Motor number</b> B2670.181 21-18-2BB-W 18KW	<b>Installation type</b> S - Portable Semi permanent, Wet
<b>Impeller diameter</b> 220 mm	<b>Discharge diameter</b> 100 m

### Pump information

<b>Impeller diameter</b> 220 mm
<b>Discharge diameter</b> 100 m
<b>Inlet diameter</b> 103 mm
<b>Maximum operating speed</b> 2905 rpm
<b>Number of blades</b> 3
<b>Throughlet diameter</b> 22 m
<b>Max. fluid temperature</b> 40 °C

### Materials

<b>Impeller</b> Hard-Iron
<b>Stator housing material</b> Grey cast iron

Project  
Block

Created by Joshua Harvey  
Created on 2/11/2021 Last update 2/11/2021

# BS 2670 HT 3~ 251

## Technical specification



### Motor - General

<b>Motor number</b> B2670.181 21-18-2BB-W 18KW	<b>Phases</b> 3~	<b>Rated speed</b> 2905 rpm	<b>Rated power</b> 18 kW
<b>ATEX approved</b> No	<b>Number of poles</b> 2	<b>Rated current</b> 33 A	<b>Stator variant</b> 7
<b>Frequency</b> 50 Hz	<b>Rated voltage</b> 400 V	<b>Insulation class</b> H	<b>Type of Duty</b> S1
<b>Version code</b> 181			

### Motor - Technical

<b>Power factor - 1/1 Load</b> 0.89	<b>Motor efficiency - 1/1 Load</b> 89.5 %	<b>Total moment of inertia</b> 0.052 kg m <sup>2</sup>	<b>Starts per hour max.</b> 30
<b>Power factor - 3/4 Load</b> 0.85	<b>Motor efficiency - 3/4 Load</b> 91.0 %	<b>Starting current, direct starting</b> 238 A	
<b>Power factor - 1/2 Load</b> 0.75	<b>Motor efficiency - 1/2 Load</b> 91.0 %	<b>Starting current, star-delta</b> 79.3 A	

**Project**  
**Block**

**Created by** Joshua Harvey  
**Created on** 2/11/2021 **Last update** 2/11/2021

# BS 2670 HT 3~ 251

## Performance curve

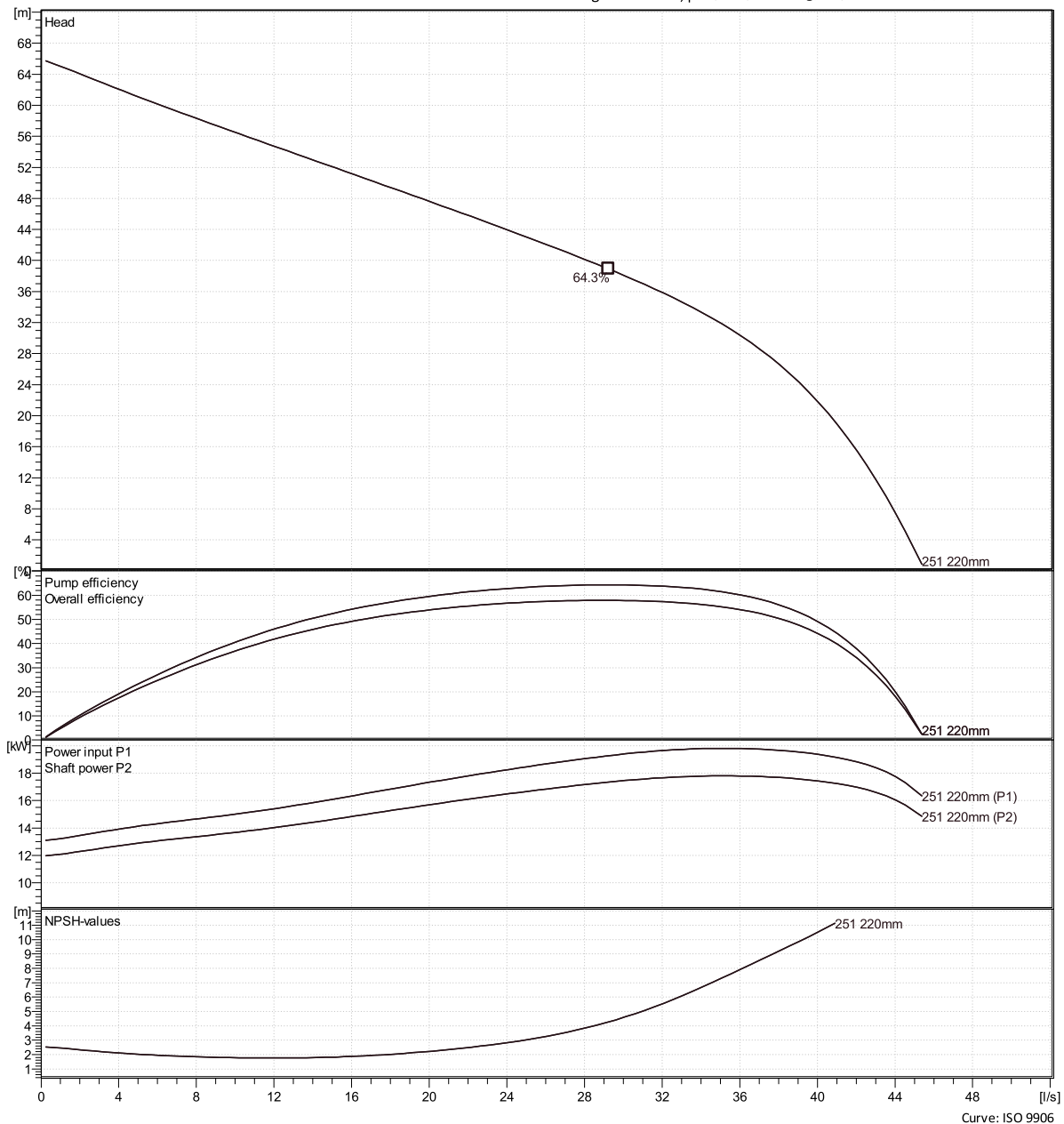


### Duty point

Flow

Head

Curves according to: Water, pure 4 °C, 999.9 kg/m<sup>3</sup>, 1.5692 mm<sup>2</sup>/s



Project  
Block

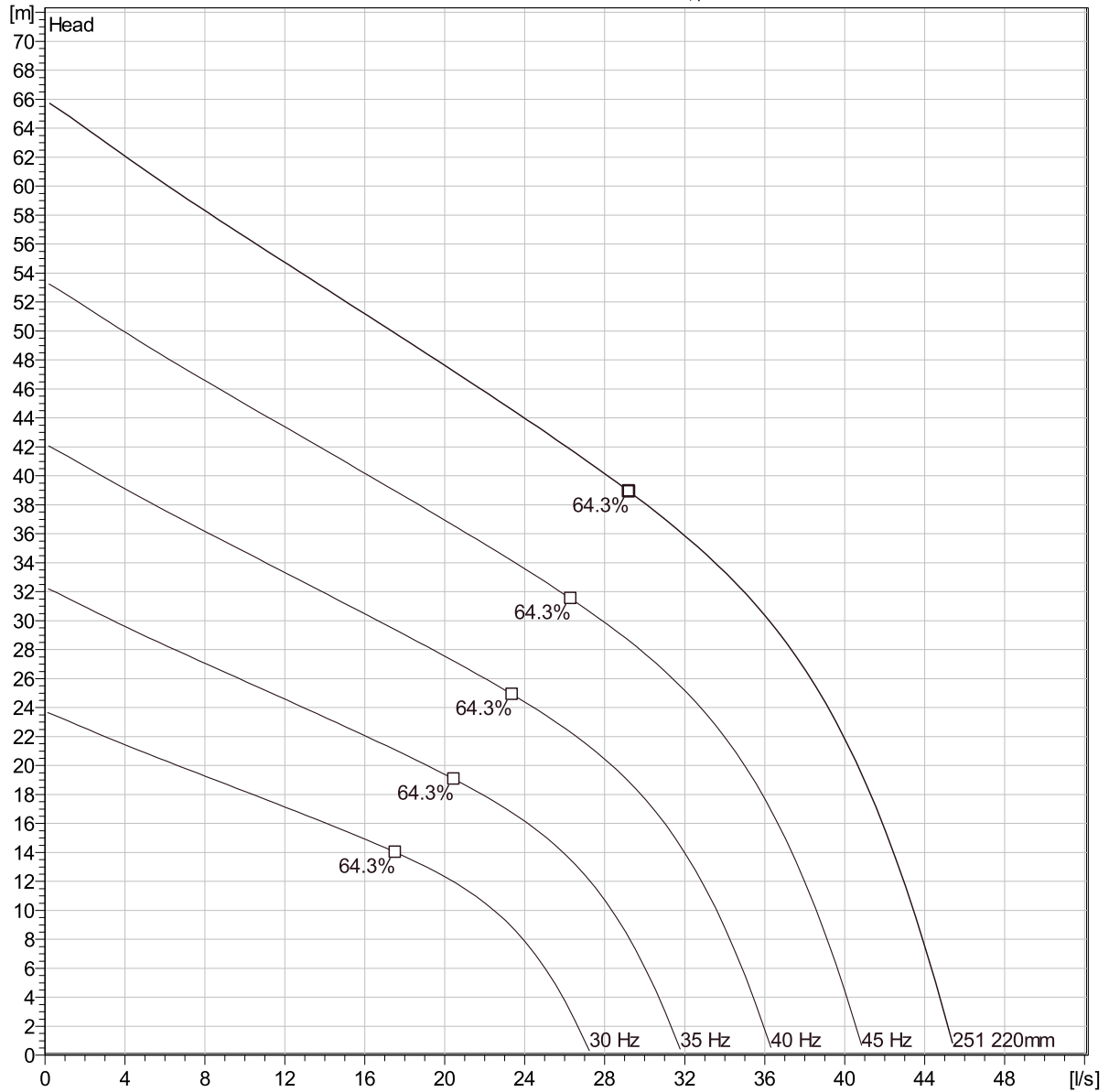
Created by Joshua Harvey  
Created on 2/11/2021 Last update 2/11/2021

# BS 2670 HT 3~ 251

## Duty Analysis



Curves according to: Water, pure, 4 °C, 999.9 kg/m<sup>3</sup>, 1.5692 mm<sup>2</sup>/s



### Operating characteristics

Pumps / Systems	Flow	Head	Shaft power	Flow	Head	Shaft power	Hydr.eff.	Specific Energy	NPSHre
-----------------	------	------	-------------	------	------	-------------	-----------	-----------------	--------

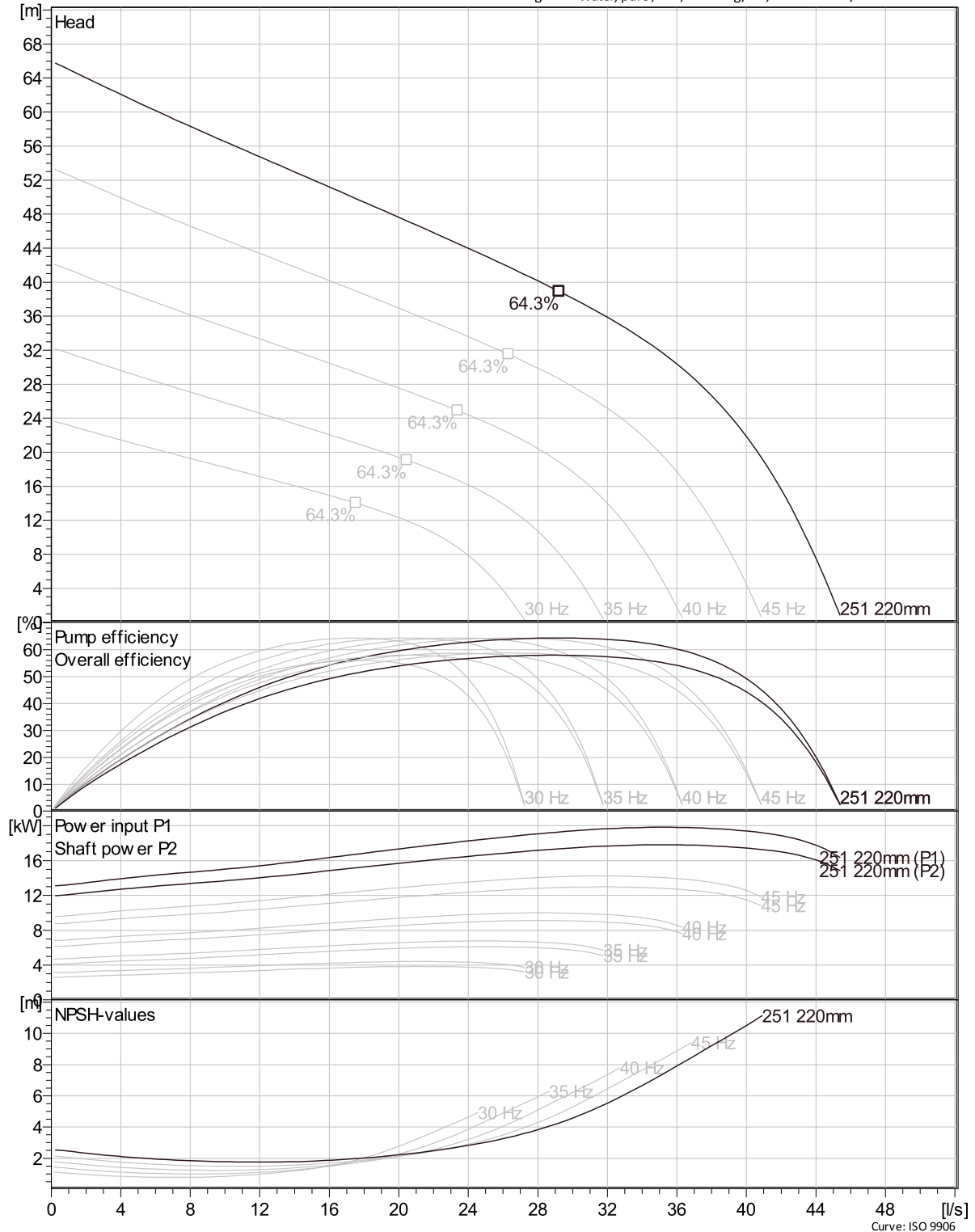
Project	Created by	Joshua Harvey
Block	Created on	2/11/2021
	Last update	2/11/2021

# BS 2670 HT 3~ 251

## VFD Curve



Curves according to: Water, pure, 4 °C, 999.9 kg/m<sup>3</sup>, 1.5692 mm<sup>2</sup>/s



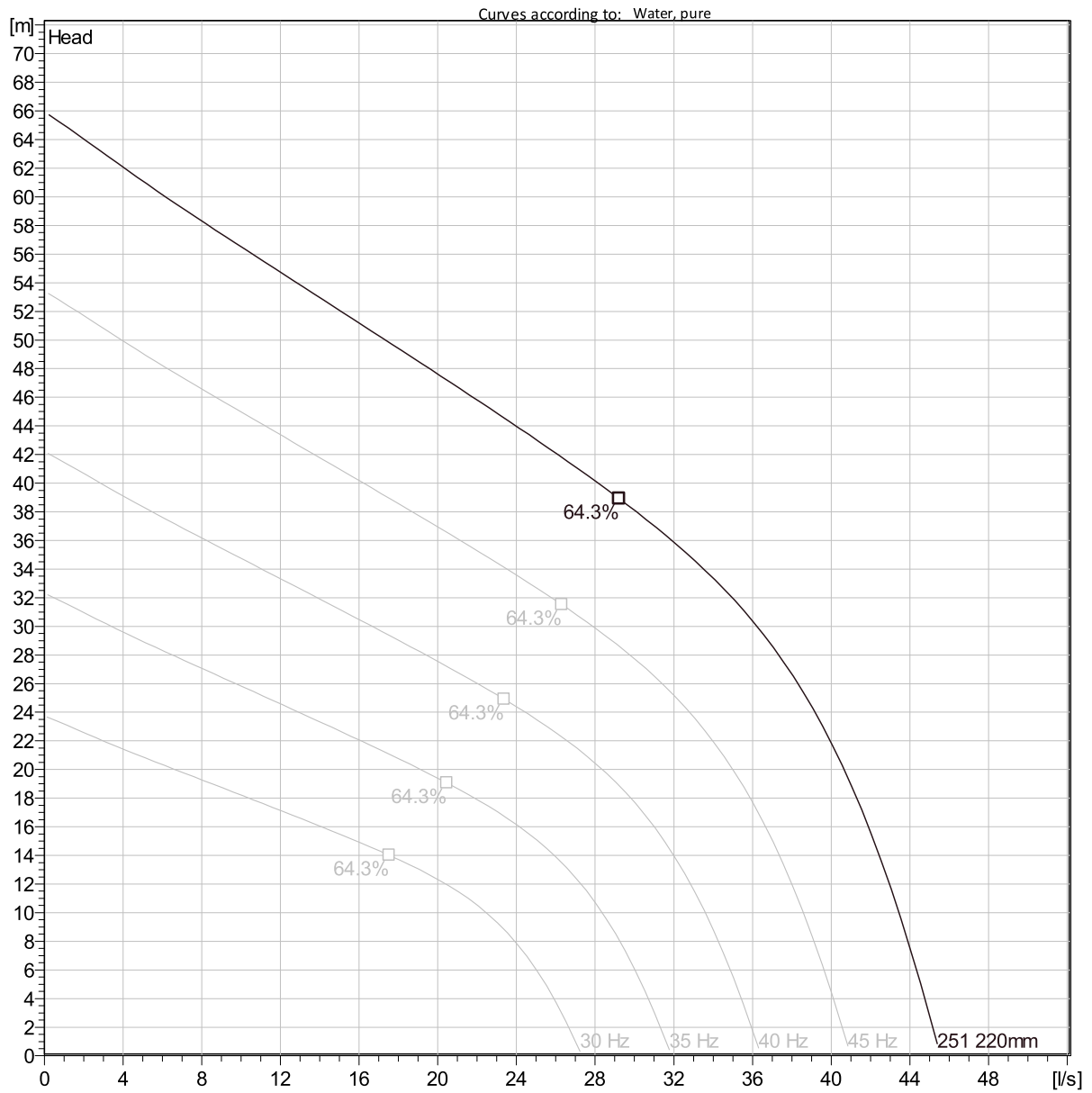
Curve: ISO 9906

Project  
Block

Created by Joshua Harvey  
Created on 2/11/2021 Last update 2/11/2021

# BS 2670 HT 3~ 251

## VFD Analysis



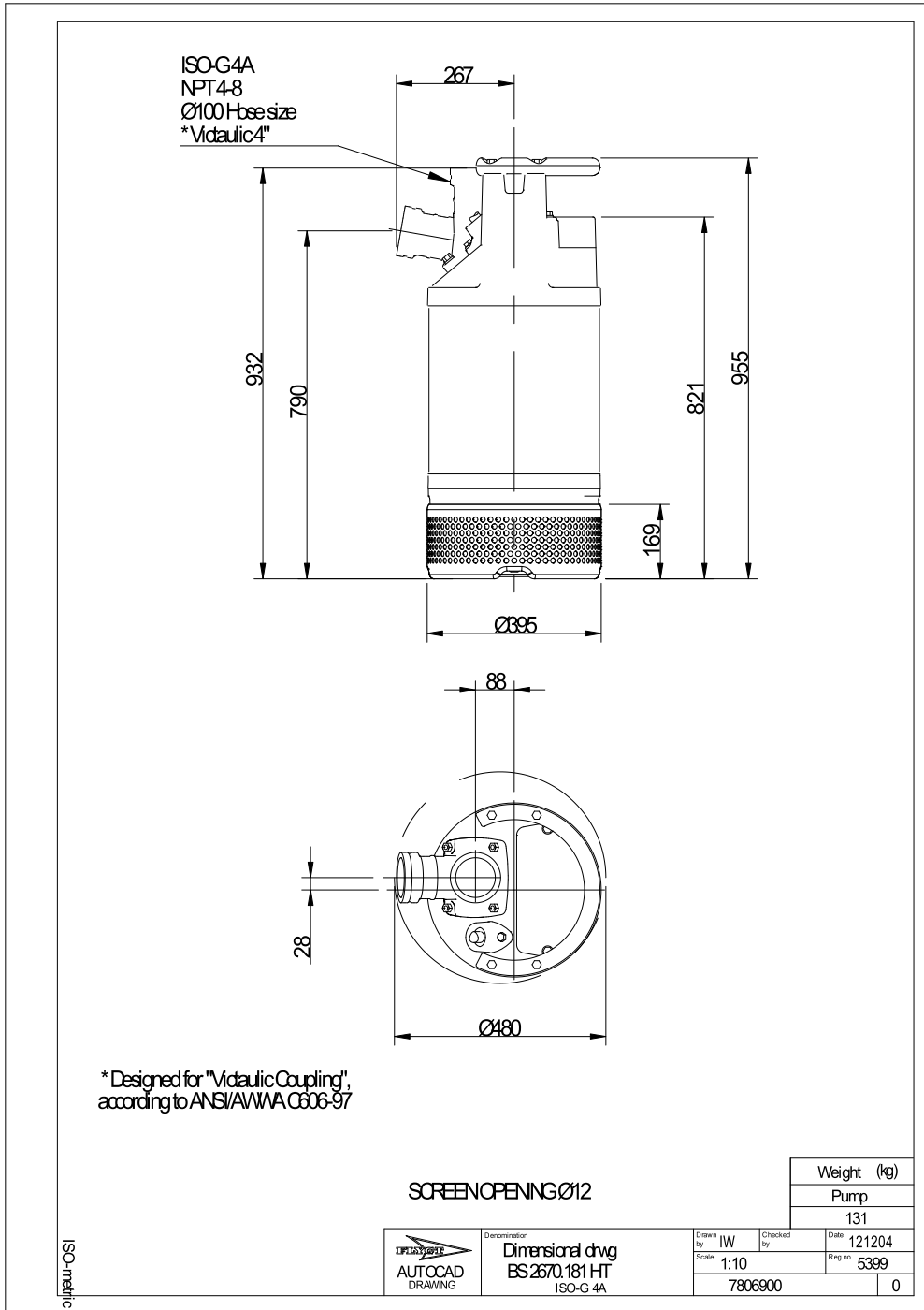
### Operating characteristics

Pumps / Systems	Frequency	Flow	Head	Shaft power	Flow	Head	Shaft power	Hydr.eff.	Specific Energy	NPSHre
-----------------	-----------	------	------	-------------	------	------	-------------	-----------	-----------------	--------

Project	Created by	Joshua Harvey
Block	Created on	2/11/2021
	Last update	2/11/2021

# BS 2670 HT 3~ 251

Dimensional drawing



\* Designed for "Vidaulic Coupling", according to ANSI/AWWA C606-97

Project	Created by	Joshua Harvey
Block	Created on	2/11/2021 Last update 2/11/2021