

AQUABOOST

iBolt Pump – 09 Range

The Aquaboost iBolt pump range features a horizontal multistage pump controlled by an air-cooled variable speed frequency inverter mounted directly on the pump motor.

The iBolt pump 09 range includes 0903, 0904 and 0906 pump variants capable of delivering flow rates up to 15.0 m³/hour and capable of producing head pressures of up to 7.1 bar.



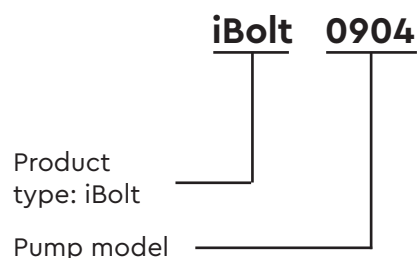
Features

- Flow rates up to 15.0 m³/h
- Head pressure up to 7.1 bar
- Dry run protection
- 304 Stainless steel pump
- Stainless steel / brass discharge fittings
- Nickel plated WRAS approved ball valves
- Air cooled inverter
- BMS Volt Free Contacts
- Hydraulic kit, base plate and anti-vibration mounts options available

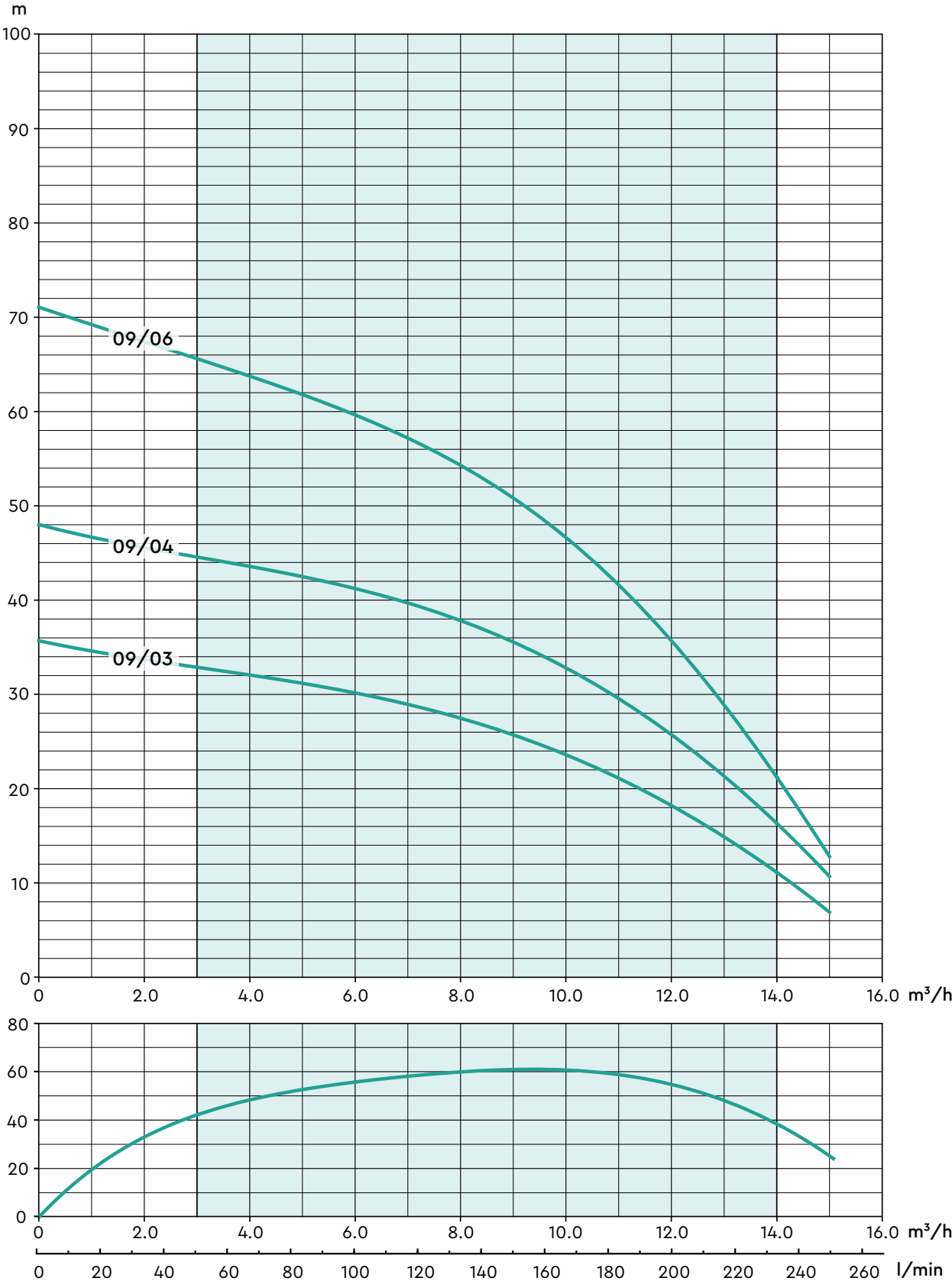
Application

- Cold water pressure and flow boosting in a range of domestic, commercial and industrial applications

Product Code Structure



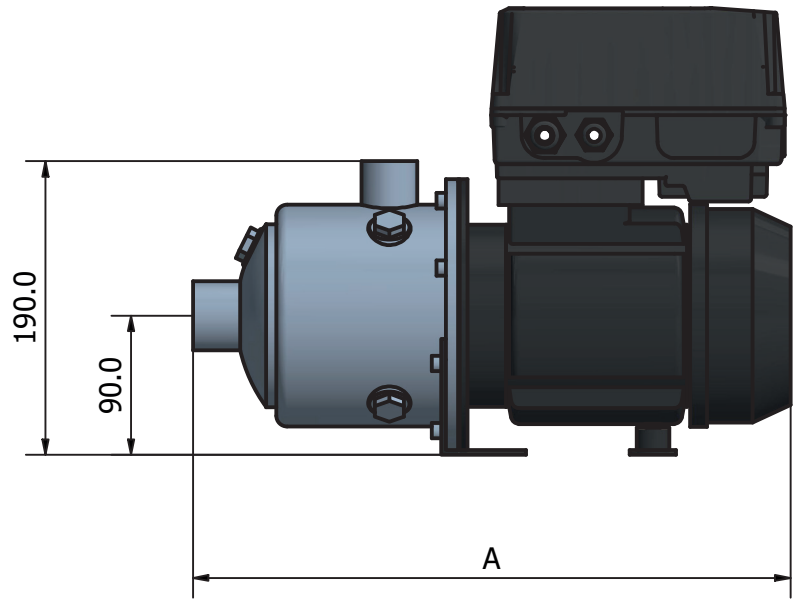
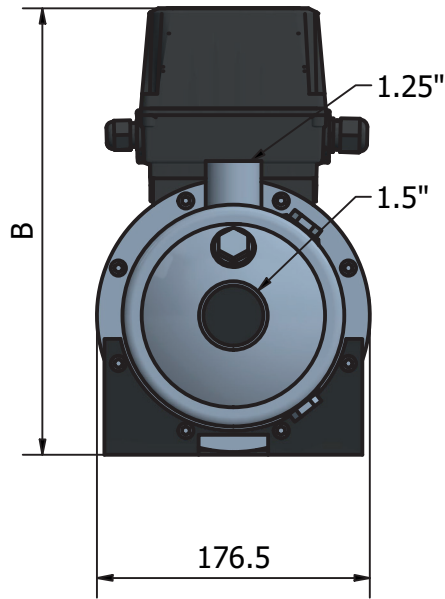
Performance Characteristics iBolt Pump - 09 Range



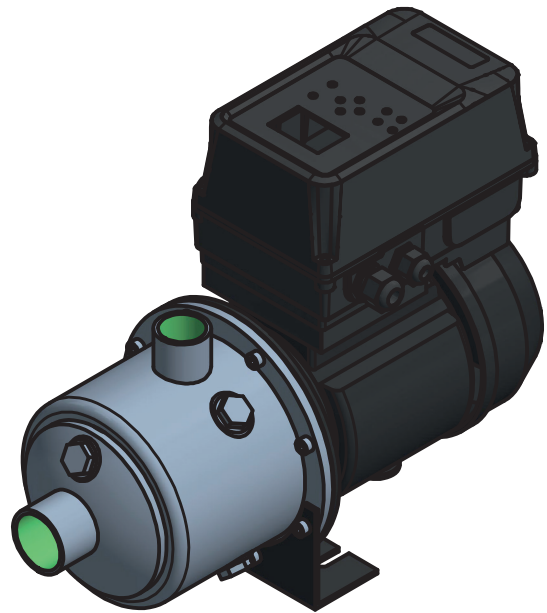
Technical Specification iBolt Pump – 09 Range

Model		iBolt Pump 0903 47380	iBolt Pump 0904 47349	iBolt Pump 0906 47350
General	Warranty	2 years		
	Approvals	CE		
Features	Pump control system	Variable speed (via pressure transducer)		
	Pump control mode	Duty		
	Dry run protection	✓	✓	✓
	BMS volt-free contacts	✓	✓	✓
	Noise	<70 dB(A)		
Performance	Nominal head	2.6 bar	3.6 bar	5.0 bar
	Maximum head (closed valve)	3.6 bar	4.8 bar	7.1 bar
	Nominal flow rate	9.0 m ³ /h		
	Maximum flow rate	15.0 m ³ /h		
	Minimum static inlet pressure	0.1 bar		
	Maximum static inlet pressure	1 bar		
	Maximum static outlet pressure	1.3 bar		
	Maximum ambient air temperature	40 °C		
Connections	Inlet	1 ½"		
	Outlet	1 ¼"		
Pump	Pump type	Centrifugal multistage		
	Pump body	Stainless steel		
	Impeller	Stainless steel		
	Mechanical seal	EPDM / Carbon / Ceramic		
	Motor type	Induction (current overload sensor)		
	Duty rating	Continuous		
Electrical	Power supply / phase / frequency	230 V a.c./1/50 Hz		
	Current – full load	4.3 Amps	6.0 Amps	8.7 Amps
Physical	Enclosure protection	IP55		
	Width	176.5 mm		
	Depth	382 mm	449 mm	556 mm
	Height	300 mm	315 mm	320 mm
	Weight	14 Kg	18 Kg	25 Kg

Dimensions iBolt Pump - 09 Range

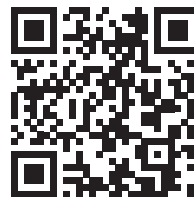


Dimension Table		
Pump Type	A (mm)	B (mm)
0903	382	300
0904	449	315
0906	556	320



Scan QR Code for:

- Quick install information
- Operation & Maintenance manuals
- Wiring diagram
- Troubleshooting guides



Stuart Turner Limited reserves the right to amend specifications without notice.

Stuart Turner Ltd, Market Place, Henley-on-Thames, Oxfordshire, RG9 2AD

Tel: +44 (0) 1491 572655

www.stuart-turner.co.uk

Pt. No. 21141 Issue 4420/01-01