

## AQUABOOST

### iBolt 09 Range – Single Pump Booster Set

The Aquaboost iBolt range of single pump booster sets features a horizontal multistage pump controlled by an air-cooled variable speed frequency inverter mounted directly on the pump motor.

The single pump 09 range includes 0903, 0904 and 0906 pump variants capable of delivering flow rates up to 15.0 m<sup>3</sup>/hour and capable of producing head pressures of up to 7.1 bar.



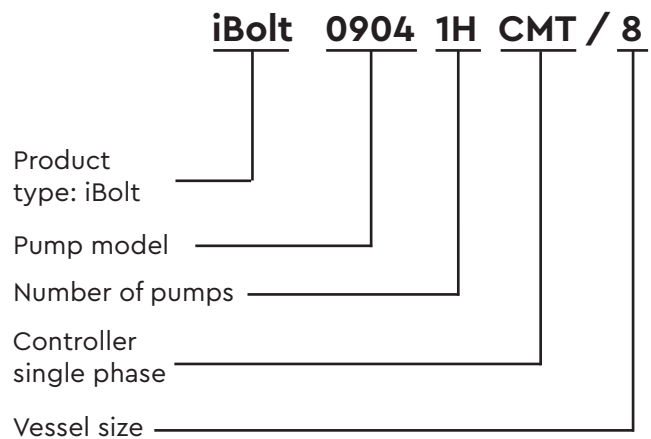
#### Features

- Flow rates up to 15.0 m<sup>3</sup>/h
- Head pressure up to 7.1 bar
- Dry run protection
- 304 stainless steel pump
- Stainless steel / brass discharge fittings
- Nickel plated WRAS approved ball valves
- Air cooled inverter
- BMS volt free contacts
- Glycerine filled pressure gauge
- Brass non-return valve
- WRAS approved union ball valves
- WRAS approved 8 litre pressure vessel

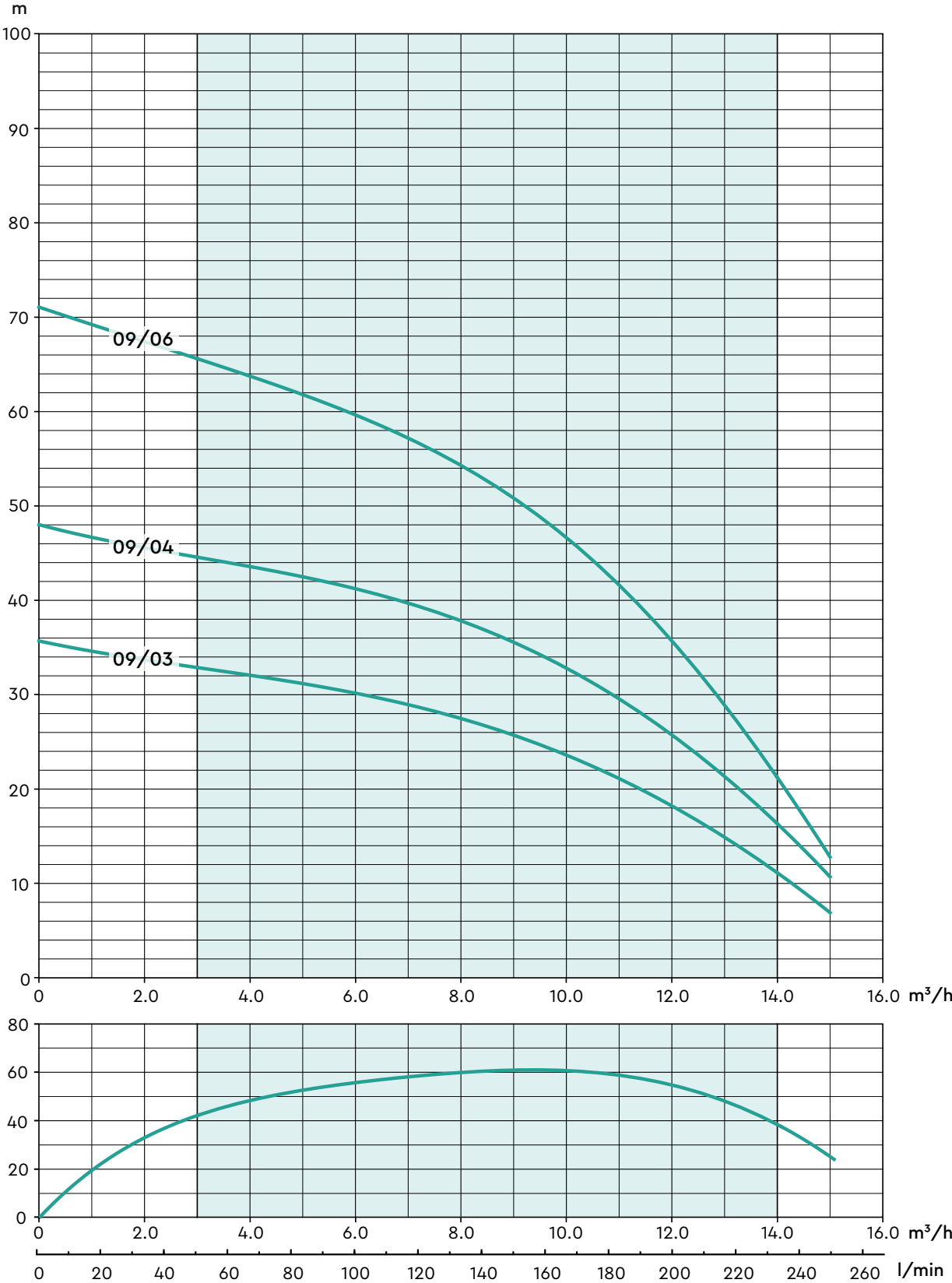
#### Application

- Cold water pressure and flow boosting in a range of domestic, commercial and industrial applications

#### Product Code Structure



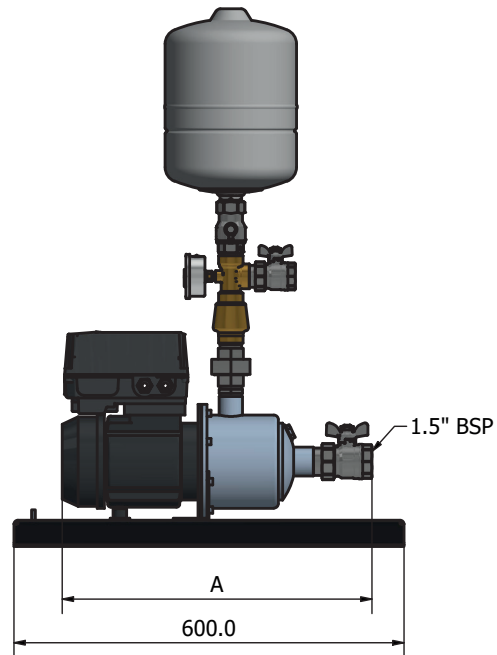
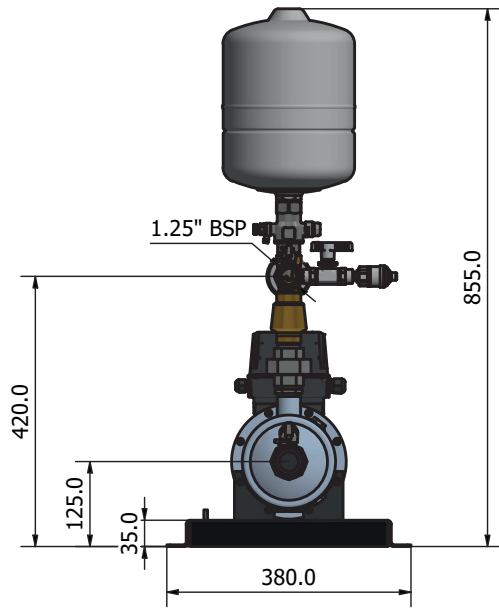
**Performance Characteristics iBolt 09 1H-CMT/8**



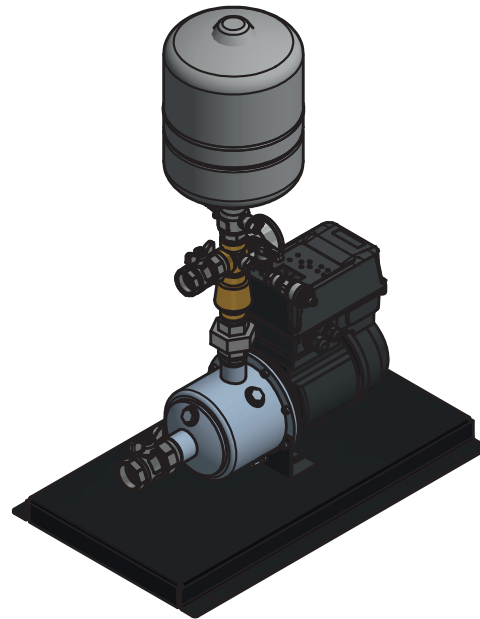
## Technical Specification iBolt 09 1H-CMT/8

Model		iBolt 0903 1H-CMT/8 47387	iBolt 0904 1H-CMT/8 47388	iBolt 0906 1H-CMT/8 47389
General	Warranty	2 years		
	Approvals	CE		
Features	Pump control system	Variable speed (via pressure transducer)		
	Pump control mode	Duty		
	Dry run protection	✓	✓	✓
	Glycerine filled pressure gauge	✓	✓	✓
	Pump check valve(s)	✓	✓	✓
	BMS volt-free contacts	✓	✓	✓
	Pressure vessel	8 litres		
	Noise	<70 dB(A)		
	Performance	Nominal head	2.6 bar	3.6 bar
Maximum head (closed valve)		3.6 bar	4.8 bar	7.1 bar
Nominal flow rate		9.0 m <sup>3</sup> /h		
Maximum flow rate		15.0 m <sup>3</sup> /h		
Minimum static inlet pressure		0.1 bar		
Maximum static inlet pressure		1 bar		
Maximum static outlet pressure		1.3 bar		
Maximum ambient air temperature		40 °C		
Connections	Inlet	1 ½"		
	Outlet	1 ¼"		
Manifold	Manifold construction	Stainless steel		
	Pump isolation valves	Full bore, lever		
Pump	Pump type	Centrifugal multistage		
	Pump body	Stainless steel		
	Impeller	Stainless steel		
	Mechanical seal	EPDM / Carbon / Ceramic		
	Motor type	Induction (current overload sensor)		
	Duty rating	Continuous		
Electrical	Power supply / phase / frequency	230 V a.c./1/50 Hz		
	Current - full load	4.3 Amps	6.0 Amps	8.7 Amps
Physical	Enclosure protection	IP55		
	Width	380 mm		
	Depth	600 mm		
	Height	855 mm		
	Weight	25 Kg	29 Kg	36 Kg

## Dimensions iBolt 09 1H-CMT/8

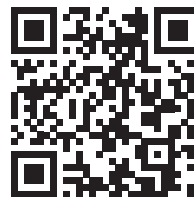


Dimension Table	
Pump Type	A (mm)
0903	480
0904	555
0906	660



### Scan QR Code for:

- Quick install information
- Operation & Maintenance manuals
- Wiring diagram
- Troubleshooting guides



Stuart Turner Limited reserves the right to amend specifications without notice.

Stuart Turner Ltd, Market Place, Henley-on-Thames, Oxfordshire, RG9 2AD

Tel: +44 (0) 1491 572655

www.stuart-turner.co.uk

Pt. No. 21144 Issue 4420/01-01