

AQUABOOST

iBolt 03 Range – Single Pump Booster Set

The Aquaboost iBolt range of single pump booster sets features a horizontal multistage pump controlled by an air-cooled variable speed frequency inverter mounted directly on the pump motor.

The single pump 03 range includes 0304, 0306 and 0308 pump variants capable of delivering flow rates up to 5.0 m³/hour and capable of producing head pressures of up to 9.0 bar.



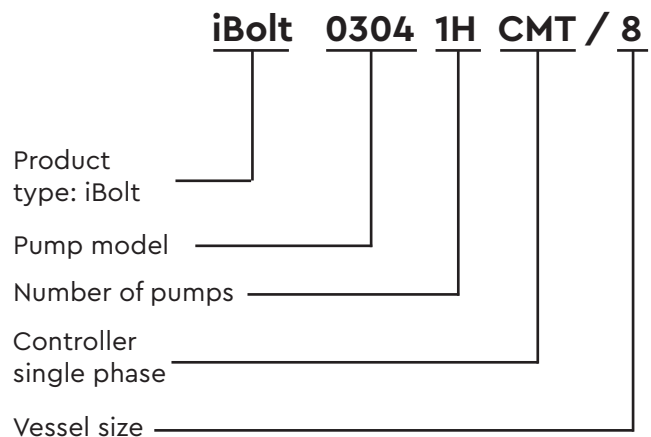
Features

- Flow rates up to 5.0 m³/h
- Head pressure up to 9.0 bar
- Dry run protection
- 304 stainless steel pump
- Stainless steel / brass discharge fittings
- Nickel plated WRAS approved ball valves
- Air cooled inverter
- BMS volt free contacts
- Glycerine filled pressure gauge
- Brass non-return valve
- WRAS approved union ball valves
- WRAS approved 8 litre pressure vessel

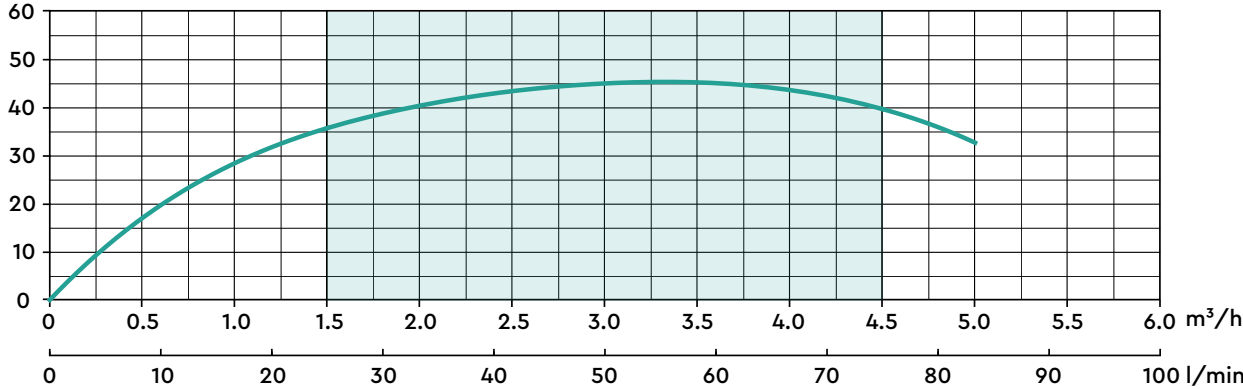
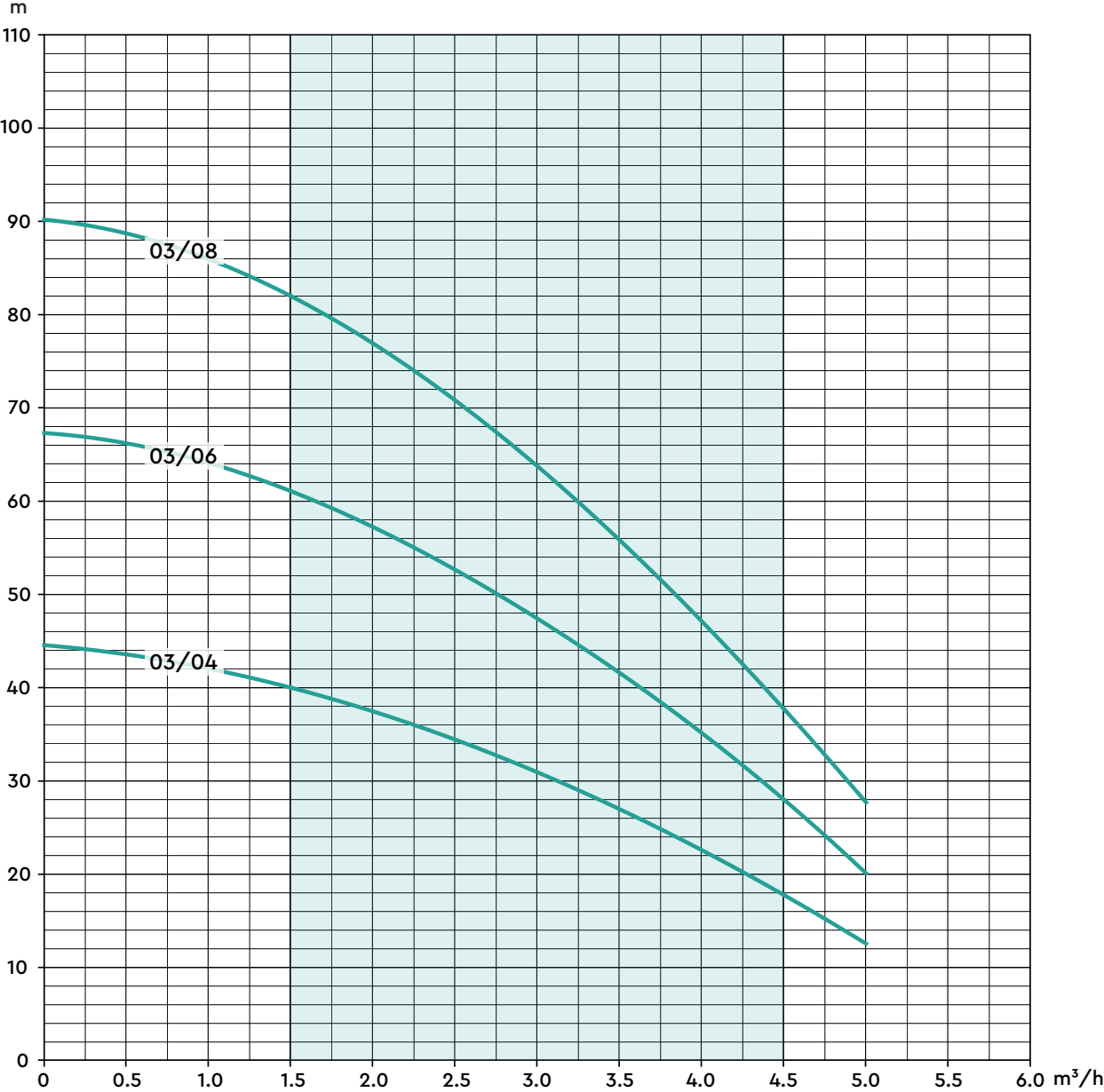
Application

- Cold water pressure and flow boosting in a range of domestic, commercial and industrial applications

Product Code Structure



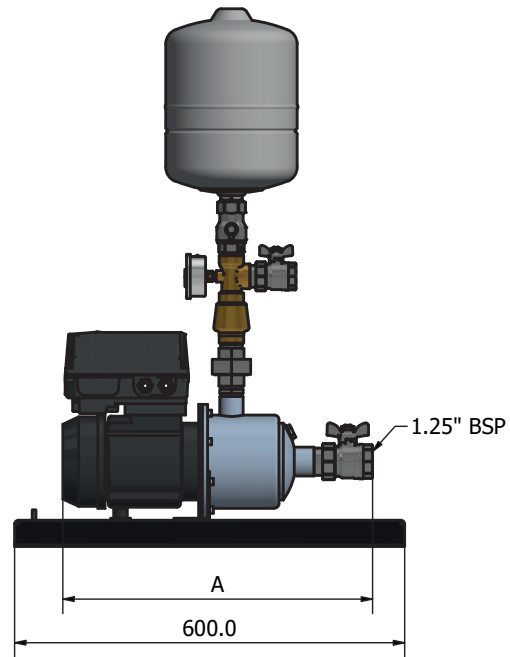
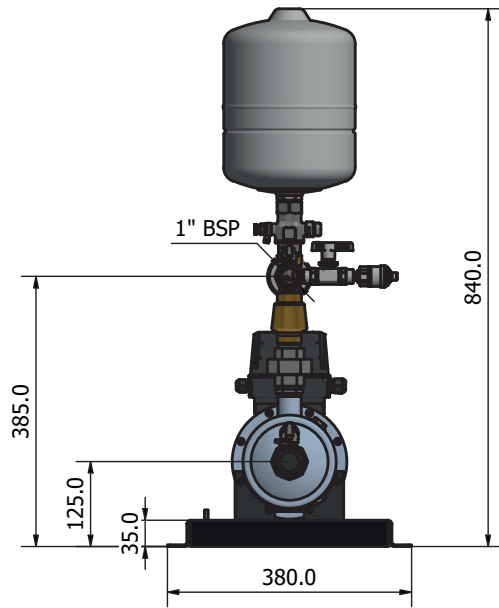
Performance Characteristics iBolt 03 1H-CMT/8



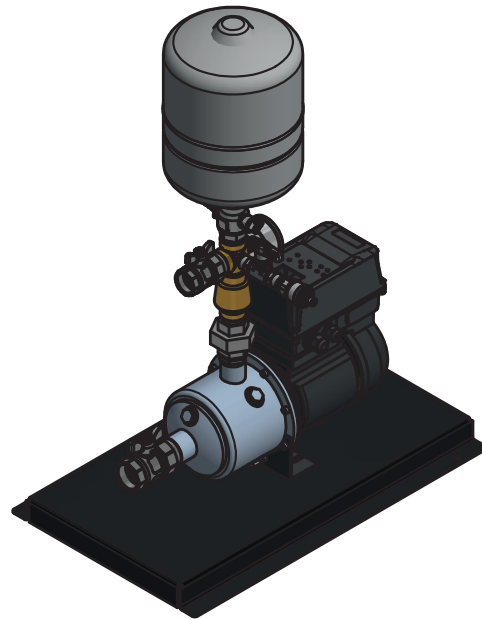
Technical Specification iBolt 03 1H-CMT/8

| Model | | iBolt 0304 1H-CMT/8 47381 | iBolt 0306 1H-CMT/8 47382 | iBOLT 0308 1H-CMT/8 47383 |
|-------------|----------------------------------|--|------------------------------|------------------------------|
| General | Warranty | 2 years | | |
| | Approvals | CE | | |
| Features | Pump control system | Variable speed (via pressure transducer) | | |
| | Pump control mode | Duty | | |
| | Dry run protection | ✓ | ✓ | ✓ |
| | Glycerine filled pressure gauge | ✓ | ✓ | ✓ |
| | Pump check valve(s) | ✓ | ✓ | ✓ |
| | BMS volt-free contacts | ✓ | ✓ | ✓ |
| | Pressure vessel | 8 litres | | |
| | Noise | <70 dB(A) | | |
| Performance | Nominal head | 3.0 bar | 4.7 bar | 6.4 bar |
| | Maximum head (closed valve) | 4.4 bar | 6.7 bar | 9.0 bar |
| | Nominal flow rate | 3.0 m ³ /h | | |
| | Maximum flow rate | 5.0 m ³ /h | | |
| | Minimum static inlet pressure | 0.1 bar | | |
| | Maximum static inlet pressure | 1 bar | | |
| | Maximum static outlet pressure | 1.3 bar | | |
| | Maximum ambient air temperature | 40 °C | | |
| Connections | Inlet | 1 ¼" | | |
| | Outlet | 1" | | |
| Manifold | Manifold construction | Stainless steel | | |
| | Pump isolation valves | Full bore, lever | | |
| Pump | Pump type | Centrifugal multistage | | |
| | Pump body | Stainless steel | | |
| | Impeller | Stainless steel | | |
| | Mechanical seal | EPDM / Carbon / Ceramic | | |
| | Motor type | Induction (current overload sensor) | | |
| | Duty rating | Continuous | | |
| Electrical | Power supply / phase / frequency | 230 V a.c./1/50 Hz | | |
| | Current – full load | 2.9 Amps | 3.8 Amps | 5.3 Amps |
| Physical | Enclosure protection | IP55 | | |
| | Width | 380 mm | | |
| | Depth | 600 mm | | |
| | Height | 840 mm | | |
| | Weight | 24 Kg | 26 Kg | 30 Kg |

Dimensions iBolt 03 1H-CMT/8

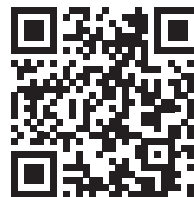


| Dimension Table | |
|-----------------|--------|
| Pump Type | A (mm) |
| 0304 | 480 |
| 0306 | 525 |
| 0308 | 615 |



Scan QR Code for:

- Quick install information
- Operation & Maintenance manuals
- Wiring diagram
- Troubleshooting guides



Stuart Turner Limited reserves the right to amend specifications without notice.

Stuart Turner Ltd, Market Place, Henley-on-Thames, Oxfordshire, RG9 2AD

Tel: +44 (0) 1491 572655

www.stuart-turner.co.uk

Pt. No. 21142 Issue 4420/01-01